

Features

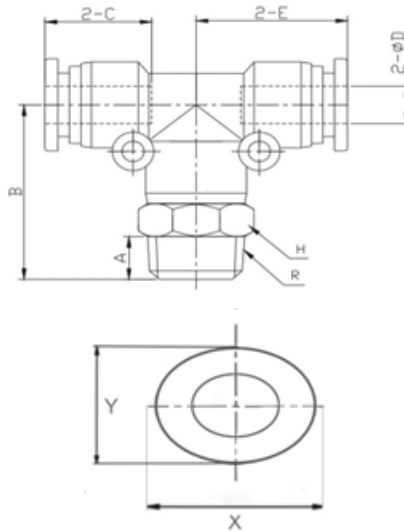
- One-Touch tube fittings are used in pneumatics piping
- The tube fittings come in a wide variety of models to meet all your needs in pneumatics piping
- Even after installation, the direction of the tube can be changed freely
- Nickel-Plated metal brass ensures Anti-Corrosion and Anti-Contamination
- All R and NPT threads are Pre-Coated sealant
- All cylindrical threads are standard with O-Ring seals



Specification

Medium	Air, Vacuum
Operating Pressure	0-1.0 Mpa
Max Pressure	1.5 Mpa
Operating Temperature	5-60 °C
Body Material	Brass / Polybutylene terephthalate (PBT)

Product Range & Drawing



Part Number	øD (mm)	R	A (mm)	B (mm)	E (mm)	H (mm)	X (mm)	Y (mm)	C (mm)
RND 425-00143	6	R 1/8	7	25	18.3	12	13.8	12.5	14.3
RND 425-00144	6	R 1/4	9	27	18.3	14	13.8	12.5	14.3
RND 425-00145	6	R 3/8	10	28	18.3	17	13.8	12.5	14.3
RND 425-00146	6	R 1/2	13	31.5	18.3	21	13.8	12.5	14.3
RND 425-00147	8	R 1/8	7	28	21	14	15.8	13.9	17
RND 425-00148	8	R 1/4	9	29.5	21	14	15.8	13.9	17
RND 425-00149	8	R 3/8	10	31	21	17	15.8	13.9	17
RND 425-00150	8	R 1/2	13	34.5	21	21	15.8	13.9	17
RND 425-00151	10	R 1/4	9	32	23	17	19.4	17	18.5
RND 425-00152	10	R 3/8	10	33	23	17	19.4	17	18.5
RND 425-00153	10	R 1/2	13	36	23	21	19.4	17	18.5
RND 425-00154	12	R 1/4	9	37	28	21	21.7	20	21
RND 425-00155	12	R 3/8	10	38	28	21	21.7	20	21
RND 425-00156	12	R 1/2	13	41	28	21	21.7	20	21