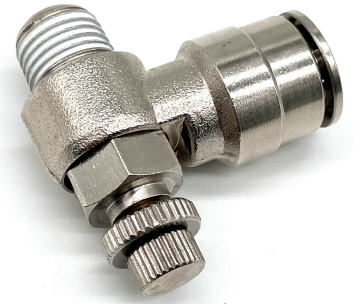


Features

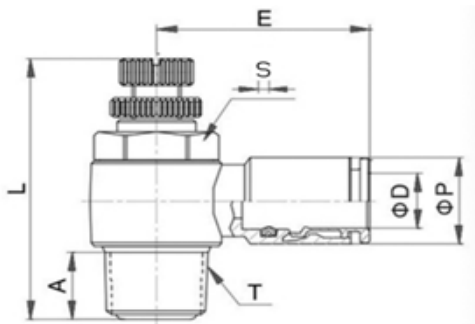
- Stainless Steel fittings are known for their excellent corrosion resistance, making them suitable for various applications, especially in environments where exposure to moisture or harsh substances is common
- The material's strength and ability to withstand pressure, temperature variations, and mechanical stress
- Stainless steel fittings have smooth surfaces that are easy to clean and maintain



Specification

Material	Stainless Steel
Medium	Air, Water
Temperature	- 20 ° C ~ 80 ° C
Thread	BSPT
Tolerance	Up to 10 mm and ± 0.1 mm from 12 ~ 14 mm
Burst Pressure	Must not exceed 30 bar

Product Range & Drawing



Part Number	øD (mm)	T	A (mm)	L-MIN (mm)	L-MAX (mm)	E (mm)	øP (mm)	S (mm)
RND 425-00216	6	R 1/8	9	37.5	40.5	26	11.5	12
RND 425-00217	6	R 1/4	10	41.5	47	28	11.5	14
RND 425-00218	8	R 1/8	9	37.5	40.5	27.5	13.5	12
RND 425-00219	8	R 1/4	10	41.5	47	29.5	13.5	14
RND 425-00220	8	R 3/8	12	49	54	33	13.5	19
RND 425-00221	10	R 1/4	10	41.5	47	30.6	15.5	14
RND 425-00222	10	R 3/8	12.5	47	52.5	36	15.5	19
RND 425-00223	10	R 1/2	16	54	59	38	15.5	24
RND 425-00224	12	R 1/4	10	41.8	48	33	18	14
RND 425-00225	12	R 3/8	12.5	47	52.5	34.5	18	19
RND 425-00226	12	R 1/2	16	54	59	38	18	24