

Features

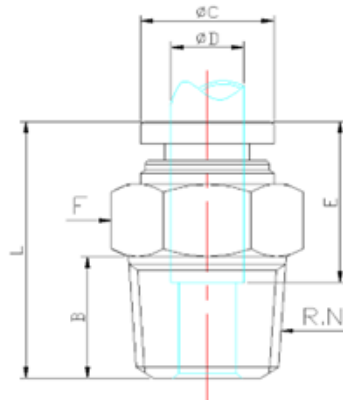
- Stainless steel fittings are highly resistant to corrosion, making them suitable for use in various environments, including those exposed to moisture, chemicals, and harsh weather conditions
- They offer robustness and reliability, allowing them to withstand heavy loads, pressure, and mechanical stress, making them suitable for demanding applications across industries like construction, manufacturing, and plumbing
- Stainless steel fittings possess hygienic qualities, making them ideal for applications in industries



Specification

Material	Stainless Steel
Medium	Air, Steam, Water
Operating Pressure	-100 KPa ~ 1.2 MPa
Burst Pressure	3 MPa
Ambient Temperature	- 5 °C ~ - 200 ° C
Sealing Material	FKM
Threads	BSPT

Product Range & Drawing



Part Number	B (mm)	øC (mm)	øD (mm)	E (mm)	F (mm)	R、N	L (mm)
RND 425-00236	8	11	6	16.4	S11	R 1/8	23.2
RND 425-00237	11	11	6	16.4	S14	R 1/4	23.2
RND 425-00238	11	11	6	16.4	S17	R 3/8	23.2
RND 425-00239	14.5	11	6	16.4	S22	R 1/2	28.5
RND 425-00240	11	13.7	8	16.8	S14	R 1/4	25.2
RND 425-00241	11	13.7	8	16.8	S17	R 3/8	24.7
RND 425-00242	14.5	13.7	8	16.8	S22	R 1/2	28.6
RND 425-00243	11	15.5	10	18.4	S17	R 1/4	29.5
RND 425-00244	11	15.5	10	18.4	S17	R 3/8	26.1