

## Features

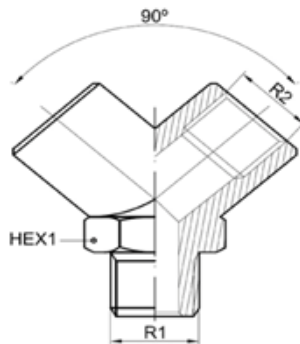
- Y-fittings are characterized by their unique Y-shaped design, allowing them to split a single fluid stream into two separate directions
- The versatility in connection options makes Y-fittings adaptable to a wide range of plumbing and piping systems, including those in residential, commercial, and industrial settings
- By minimizing turbulence and pressure drops, Y-fittings contribute to the overall efficiency of the fluid transport system



## Specification

Material	Brass
Medium	Air , Steam , Water
Thread	BSPT
Tolerance	+/-0.01-0.05 mm
Working Temperature	-100 ~ 500 ° C
Maximum Pressure	3600 psi/ 25 MPa

## Product Range & Drawing



Part Number	R1	R2	HEX 1
RND 425-00272	1/8"	1/8"	S16
RND 425-00273	1/4"	1/4"	S16
RND 425-00274	3/8"	3/8"	S20
RND 425-00275	1/2"	1/2"	S25