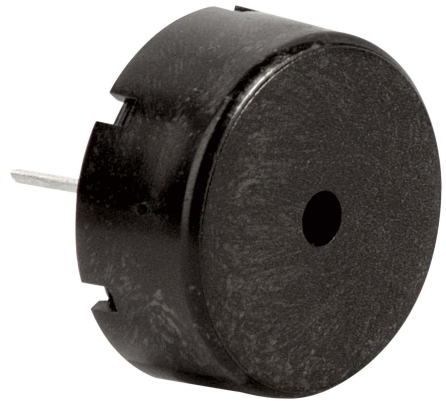


Piezo Buzzer

Features

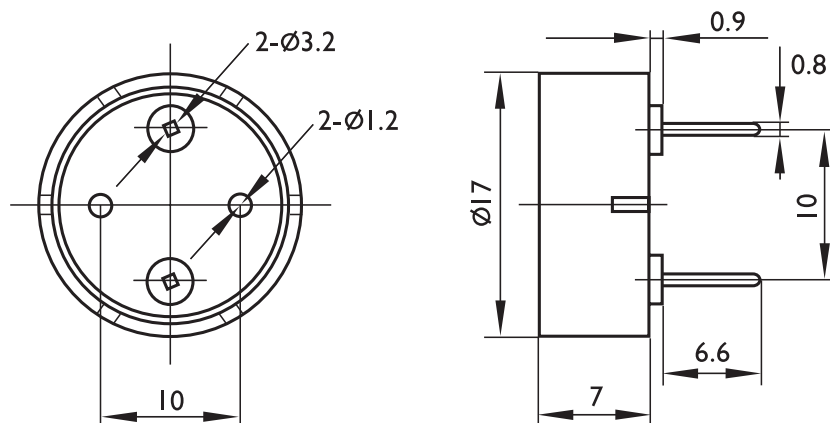
- ROHS compliant
- Low power consumption
- Housing material: Noryl
- PCB mountable
- Pin material: Phosphor bronze



Specification

Rated Voltage (Vp-p square wave)	5 Vp-p
Operating Voltage Min.	1 V
Operating Voltage Max.	30 V
Rated Current	≤1 mA
Capacitance at 120 Hz	15000±30% pF
Sound output at 4 kHz at 100 mm at Rated Voltage	≥ 78 dB
Resonant Frequency	4000±500 Hz
Operating Temperature Min.	-20 °C
Operating Temperature Max.	70 °C
Storage Temperature Min.	-30 °C
Storage Temperature Max.	80 °C
Weight	1 g

Requires additional electronic circuitry to operate as a sounder



Dimensions Unit: mm Tolerance: ±0.5mm

Art. Nr.
RND 430-00017