

Piezo Element

Features

- ROHS compliant
- Low power consumption
- Reliable and lightweight

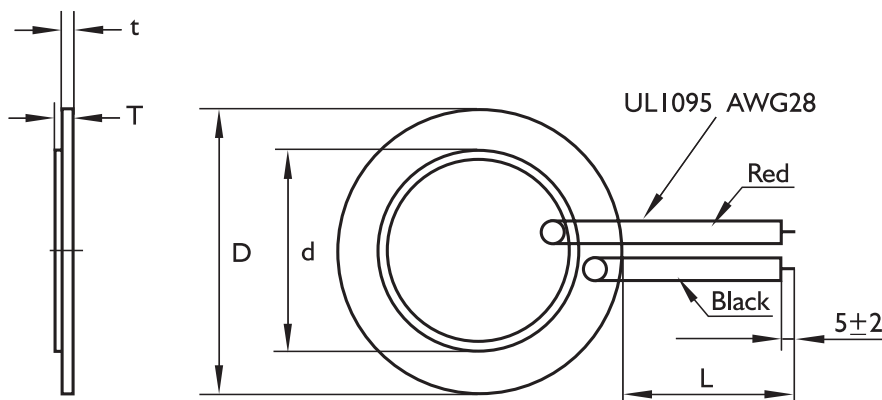


Specification

Rated max. Voltage (Vp-p square wave)	30 Vp-p
Capacitance	20000 pF±30%
Resonant Frequency	4200±500 Hz
Resonant Impedance	≥300 Ω
Operating Temperature Min.	-20 °C
Operating Temperature Max.	60 °C
Storage Temperature Min.	-20 °C
Storage Temperature Max.	70 °C
Lead Wire	UL1095 AWG28
Lead Length (L)	200 mm

Dimensions

D±0.1	27 mm
d±0.3	20 mm
t±0.02	0.3 mm
T±0.1	0.52 mm



Art. Nr.
RND 430-00018