

Piezo Buzzer

Features

- For external oscillator
- Loud volume
- Compact dimensions



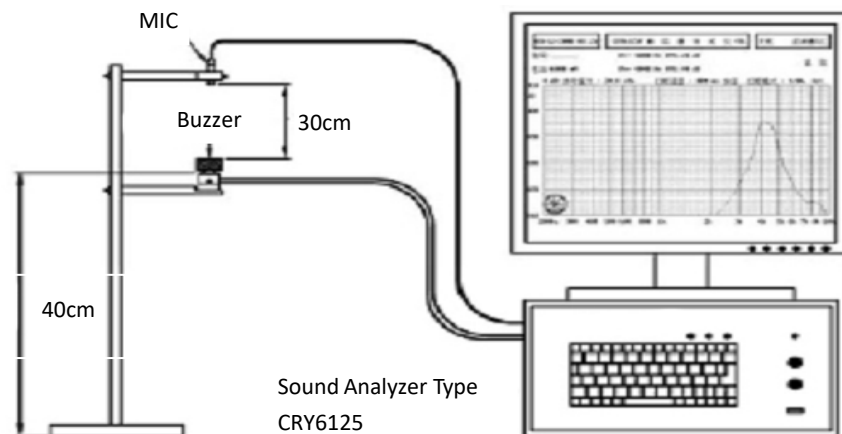
Basic Condition

Voltage Rating	12 Vp-p Square Wave
Operating Voltage	1 ... 30 Vp-p
Operating Temperature	-20 ... 70 °C
Storage Temperature Range	-30 ... 80 °C

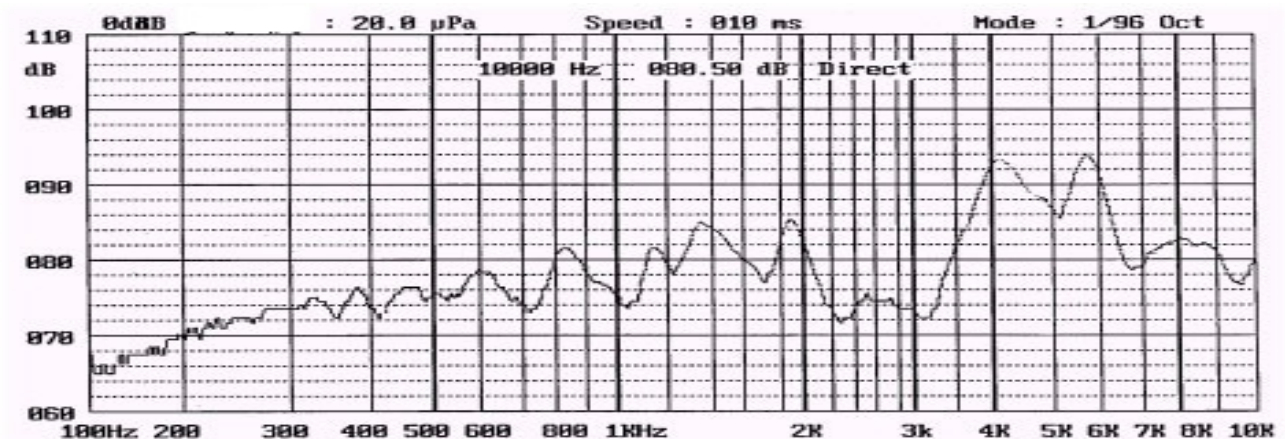
Electrical Characteristics

Sound Press Level	≥ 75 dB @ 300 mm / 12 Vp-p
Impedance	400 Ω
Consumption Current	≤ 5 mA at 4 kHz / 12 Vp-p Square Wave
Tone Type	Continuous
Resonate Frequency	4 kHz +/- 300 Hz
Capacitance	20 nF 30% @ 120 Hz
Material	ABS

Measuring Method

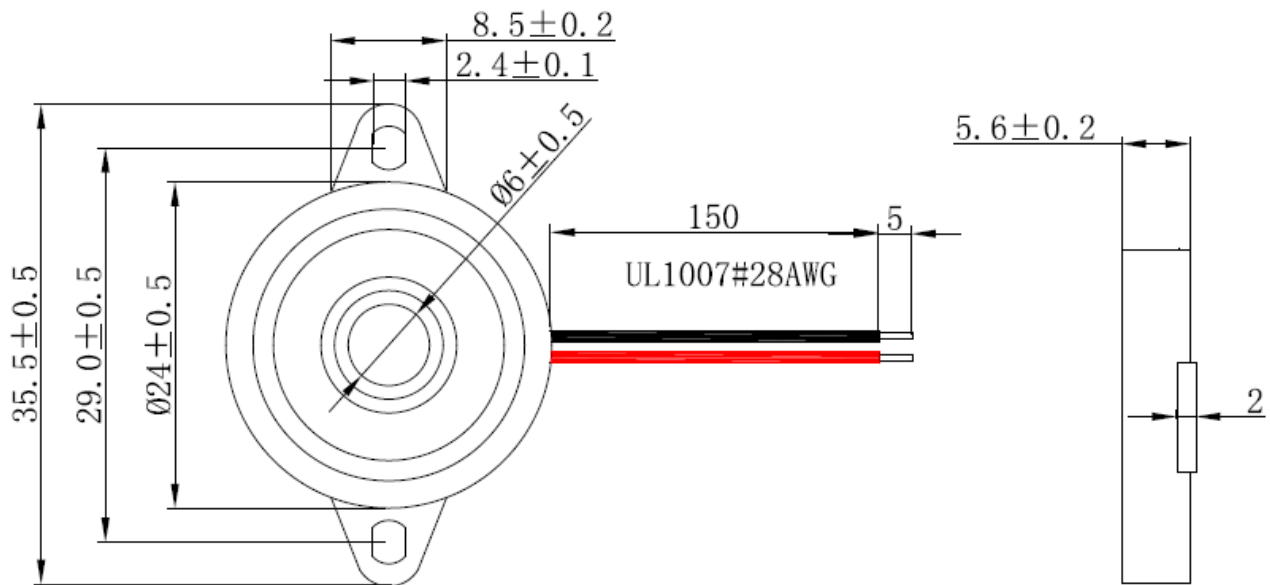


Frequency Curve



Piezo Buzzer

Drawing



Art Nr.
RND 430-00034