

Features

- Wide operating voltage range
- Loud volume
- Compact dimensions
- Flange mounting and central mounting
- Measured values relate to 12 VDC



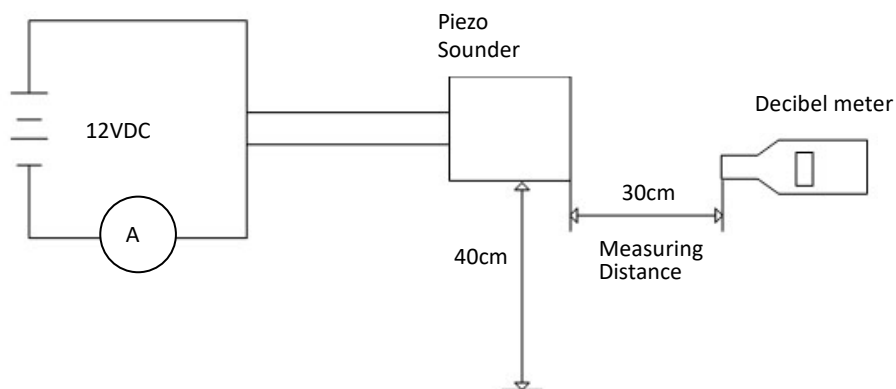
Basic Condition

Voltage Rating	12 VDC
Operating Voltage	3 ... 28 VDC
Operating Temperature	-20 ... 70 °C
Storage Temperature Range	-30 ... 80 °C

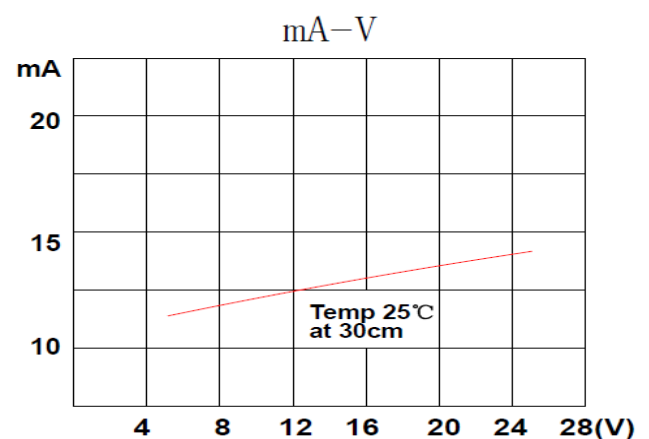
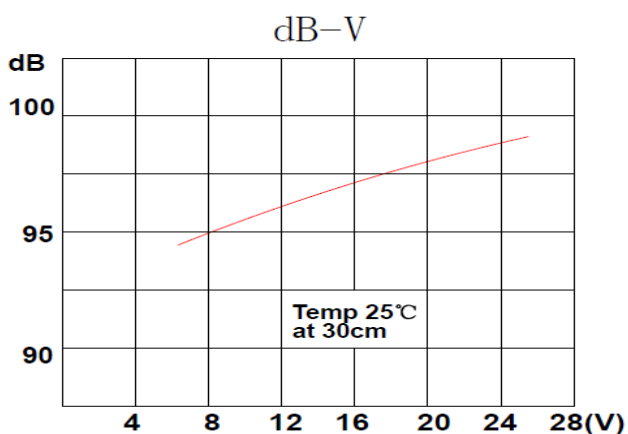
Electrical Characteristics

Sound Press Level	≥ 90 dB @ 300 mm / 12 VDC
Consumption Current	≤ 15 mA @ 12 VDC
Resonate Frequency	3.5 kHz +/- 500 Hz
Tone	Continuous
Material	ABS

Measuring Method

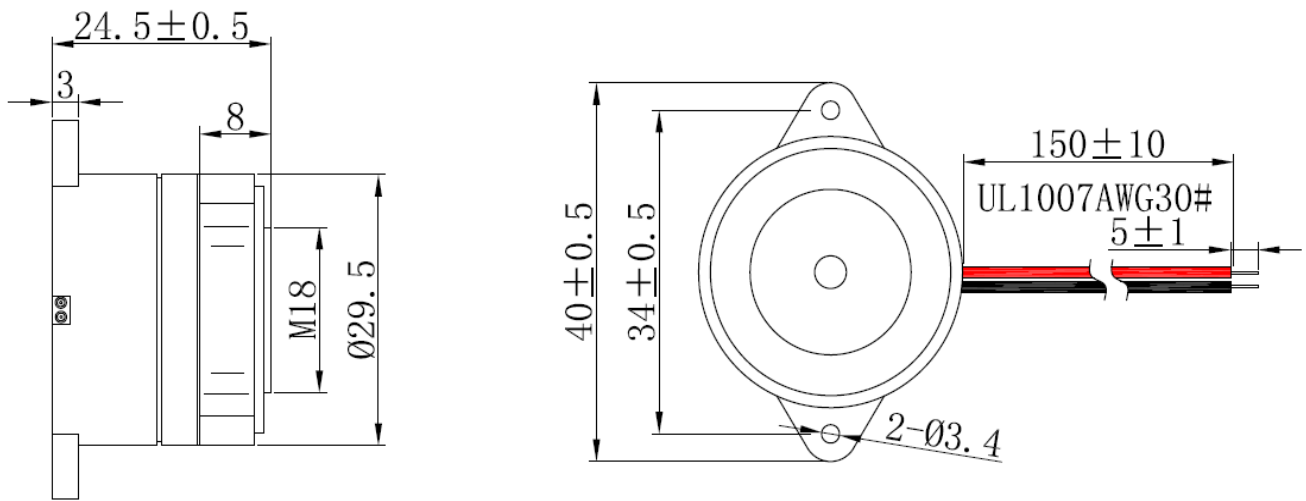


Sound Press Level & Consumption Current Curve



Piezo Buzzer

Drawing



Art Nr.
RND 430-00036