

Plastic enclosure

120 x 80 x 55 mm light grey PC IP 65



FEATURES:

Lid fastened with M4 stainless steel screws in pressed brass bushings

Lid provided with a slightly sunk area for membrane keyboard

The holes for wall mounting and lid fixing screws are located outside the sealing area to protect against moisture and dust

Integral standoffs for horizontal PCB mounting

SPECIFICATION:

Dimensions L x W x H 120 x 80 x 55 mm

Colour light grey

Material PC

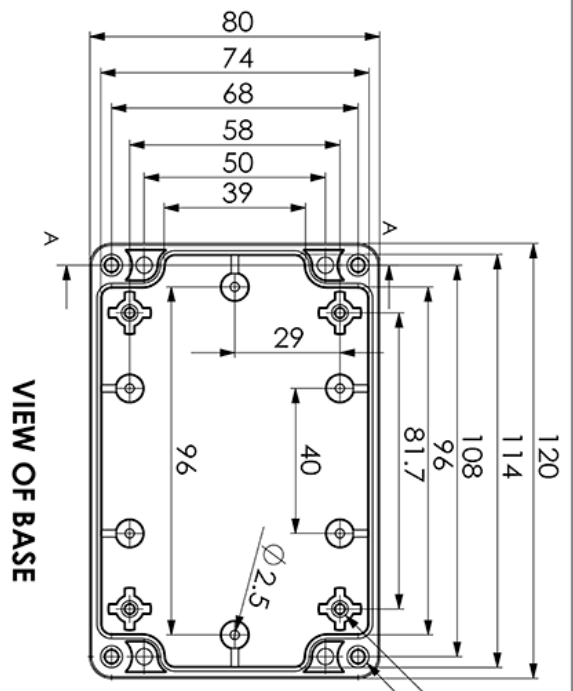
Protection rating IP 65

Mounting Screws



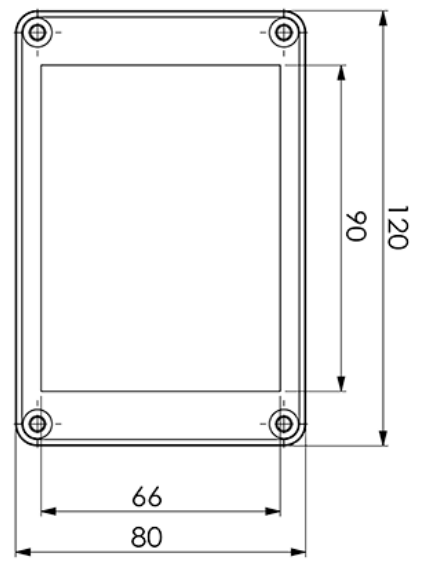
Art. Nr.

RND 455-00124

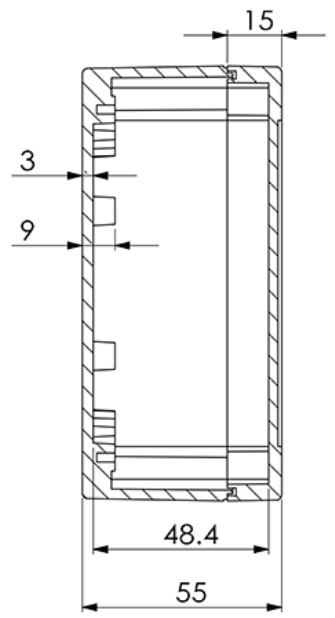
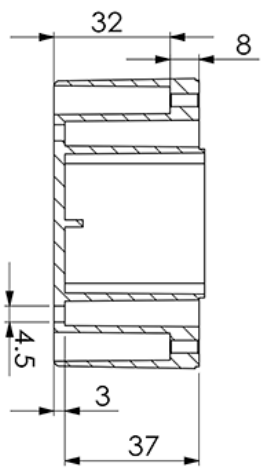


INSERT THREAD(4PCS)
PAN HEAD M4X20 mm
SCREWS(4PCS)

VIEW OF LID



SECTION A-A
SCALE 3:4



TOLERANCES: +/- 0.25 mm

