

# Plastic enclosure

120 x 80 x 55 mm dark grey ABS IP 65



## FEATURES:

Lid fastened with M4 stainless steel screws in pressed brass bushings

Lid provided with a slightly sunk area for membrane keyboard

The holes for wall mounting and lid fixing screws are located outside the sealing area to protect against moisture and dust

Integral standoffs for horizontal PCB mounting

## SPECIFICATION:

Dimensions L x W x H 120 x 80 x 55 mm

Colour dark grey

Material ABS

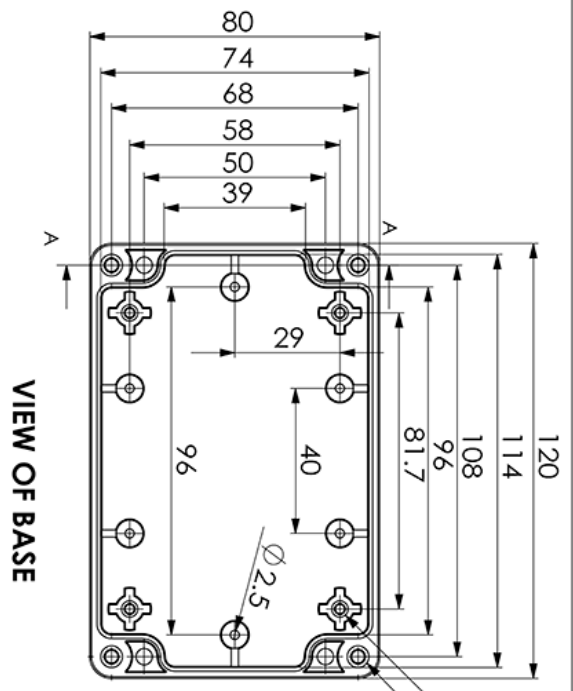
Protection rating IP 65

Mounting Screws



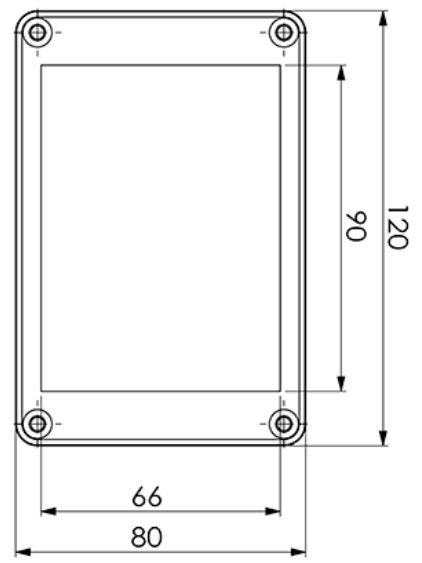
## Art. Nr.

RND 455-00146

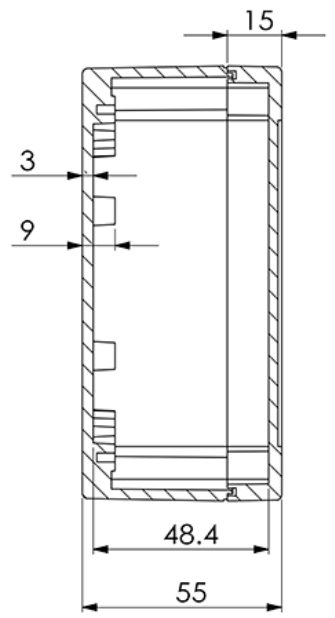
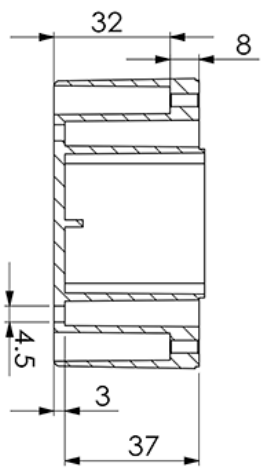


INSERT THREAD(4PCS)  
PAN HEAD M4X20 mm  
SCREWS(4PCS)

VIEW OF LID



SECTION A-A  
SCALE 3:4



TOLERANCES: +/- 0.25 mm

