

Plastic enclosure

200 x 150 x 75 mm dark grey ABS IP 65



FEATURES:

Lid fastened with M4 stainless steel screws in pressed brass bushings

Lid provided with a slightly sunk area for membrane keyboard

The holes for wall mounting and lid fixing screws are located outside the sealing area to protect against moisture and dust

Integral standoffs for horizontal PCB mounting



SPECIFICATION:

Dimensions L x W x H 200 x 150 x 75 mm

Colour dark grey

Material ABS

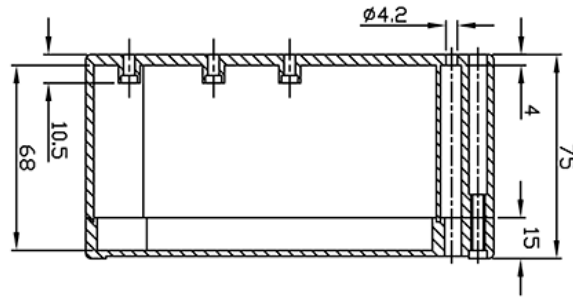
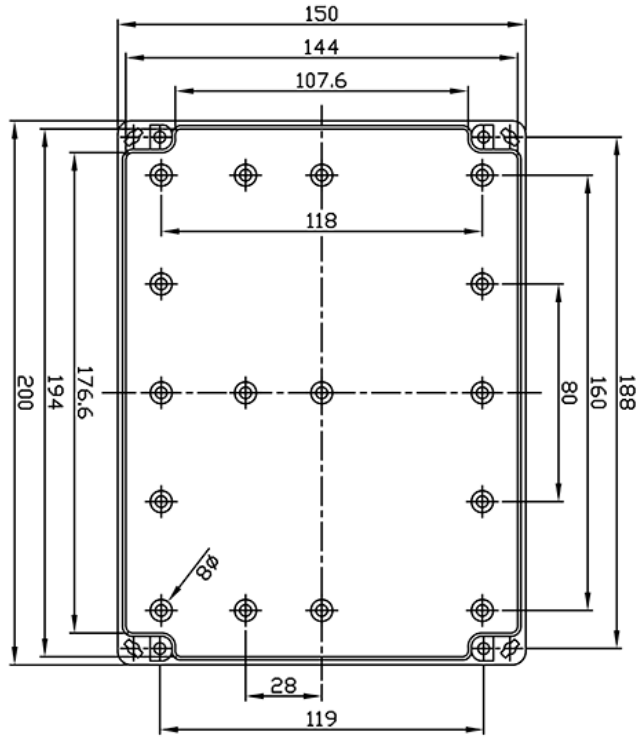
Protection rating IP 65

Mounting Screws

Art. Nr.

RND 455-00152

VIEW OF BASE



VIEW OF LID

