

Plastic enclosure 222 x 146 x 55 mm grey ABS IP 65/NEMA 4 Plastic Enclosures, RND



FEATURES:

Integral guides and standoffs for vertical and horizontal PCB mounting

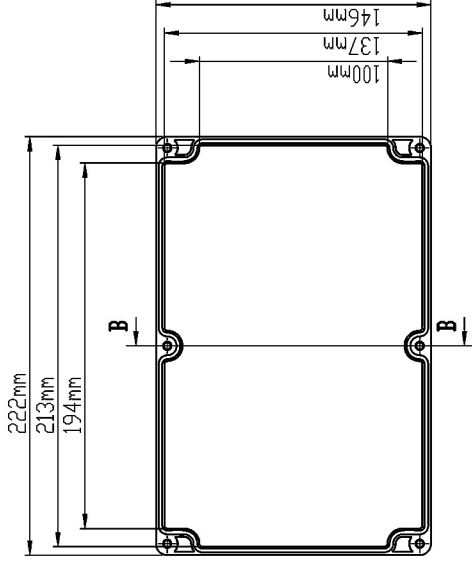
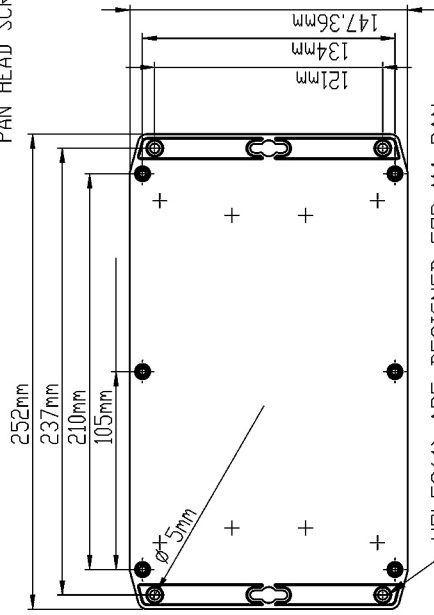
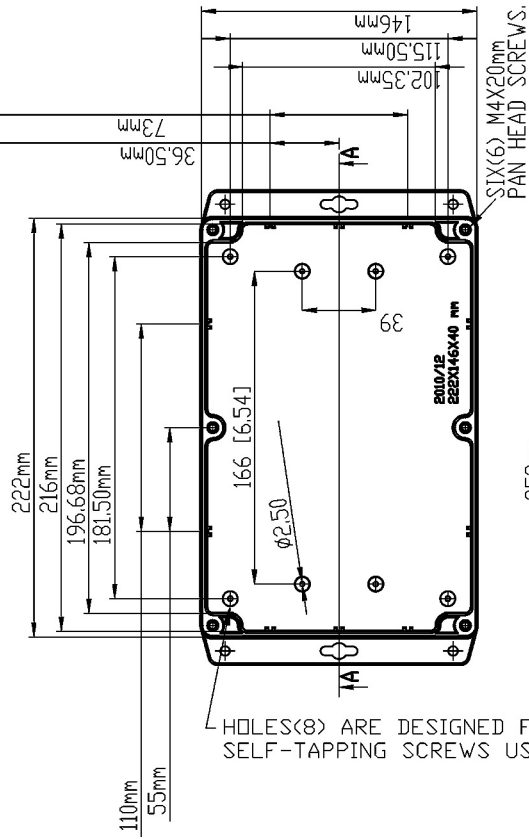
SPECIFICATION:

Dimensions L x W x H	222 x 146 x 55 mm
Colour	Grey
Material	ABS
Protection rating	IP 65/NEMA 4
Fire class	UL 94 HB
Mounting	Flange
Temperature range	-20...+80 °C

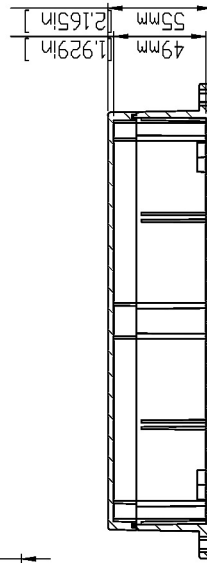
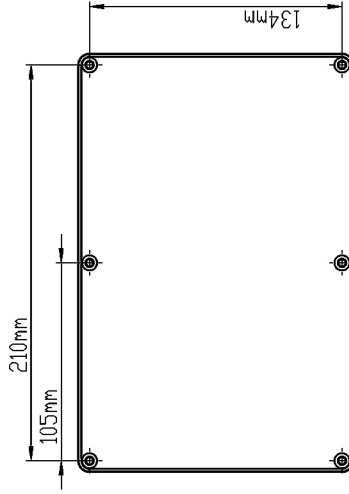
PRODUCT RANGE:

Art. Nr.

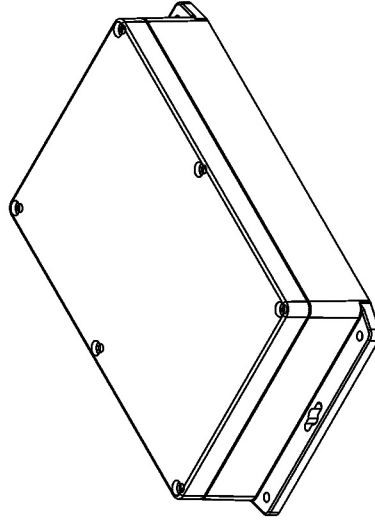
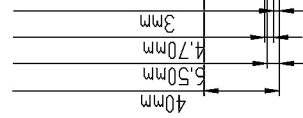
RND 455-00254



SECTION B-B
SCALE 2 : 5



SECTION A-A
SCALE 2 : 5



TOLERANCES: +/- 0.30 mm (+/- 0.012in)