

Plastic enclosure 82 x 80 x 55 mm dark grey ABS IP 65/ NEMA4 Plastic Enclosures, RND



FEATURES:

Integral guides and standoffs for vertical and horizontal PCB mounting

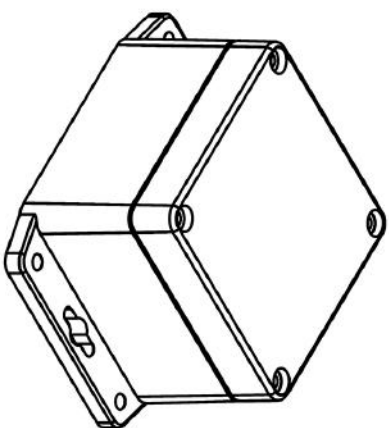
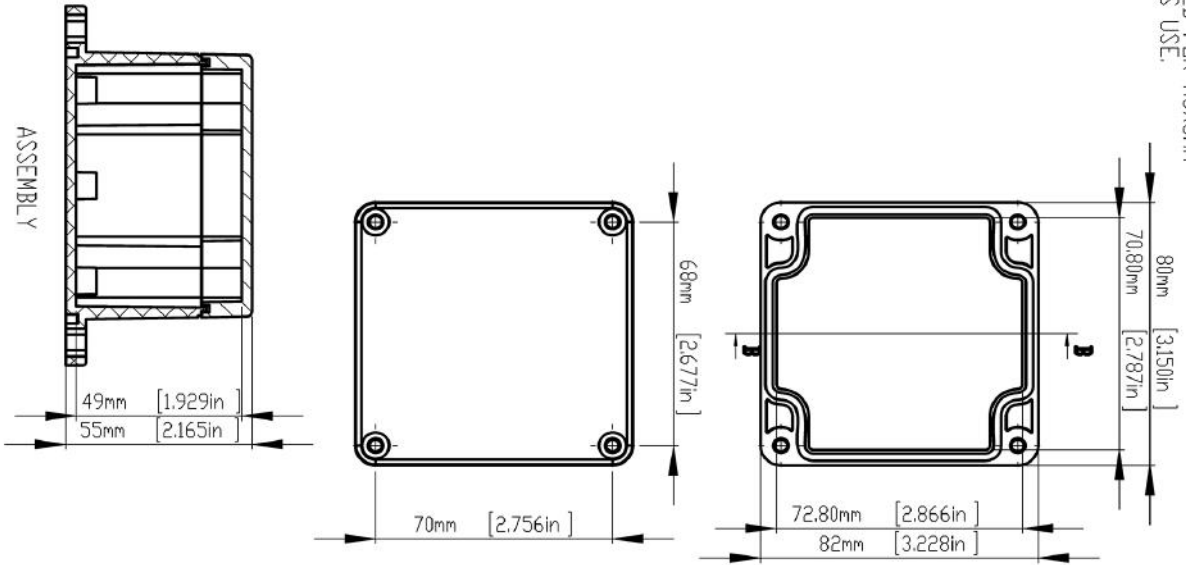
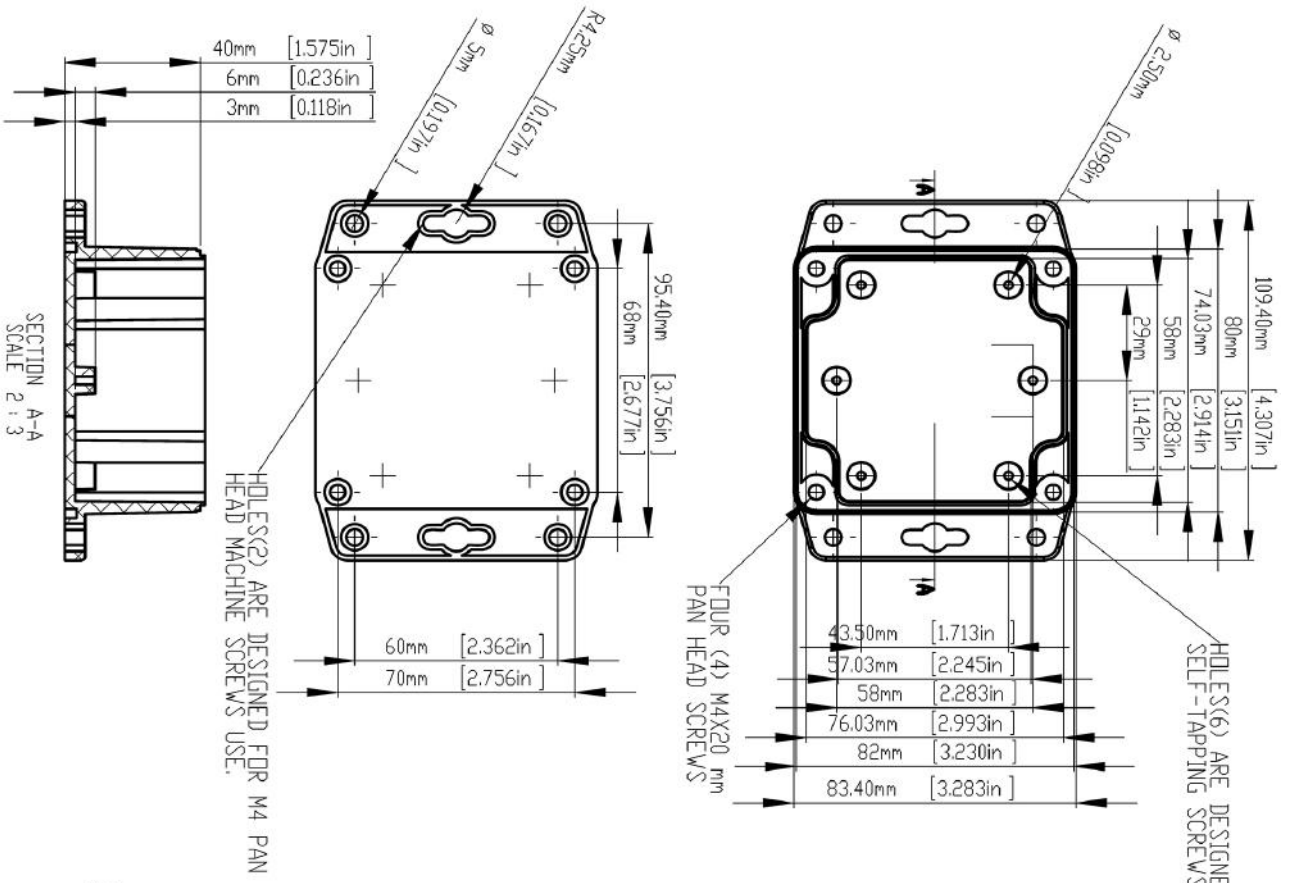
SPECIFICATION:

Dimensions L x W x H	82 x 80 x 55 mm
Colour	dark grey
Material	ABS
Protection rating	IP 65/NEMA 4
Fire class	UL 94 HB
Mounting	Flange
Temperature range	-20...+80 °C

PRODUCT RANGE:

Art. Nr.

RND 455-00270



According to ISO 2768-m	
Measuring DIM=L	Tolerances
0.5<L<=3.0mm	±0.1mm
3.0<L<=6.0 mm	±0.1mm
6.0<L<=30.0 mm	±0.2mm
30.0<L<=120.0 mm	±0.3mm
120.0<L<=400.0 mm	±0.5mm
400.0<L<=1000.0 mm	±0.8mm