

Plastic enclosure 160 x 80 x 55 mm dark grey ABS IP 65/ NEMA4 Plastic Enclosures, RND



FEATURES:

Integral guides and standoffs for vertical and horizontal PCB mounting

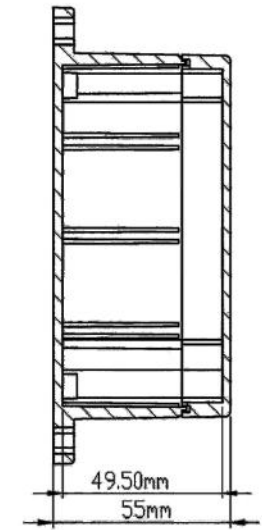
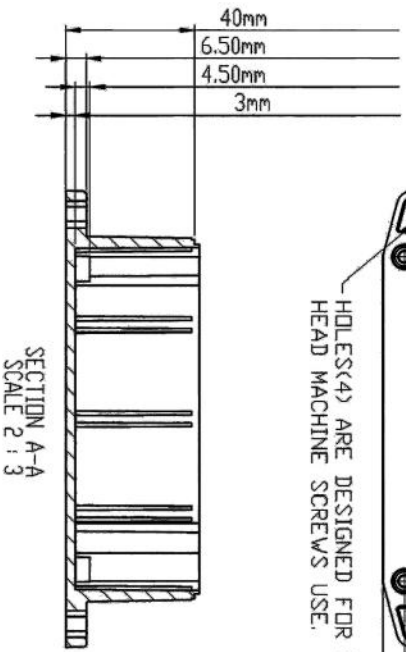
SPECIFICATION:

Dimensions L x W x H	160 x 80 x 55 mm
Colour	dark grey
Material	ABS
Protection rating	IP 65/NEMA 4
Fire class	UL 94 HB
Mounting	Flange
Temperature range	-20...+80 °C

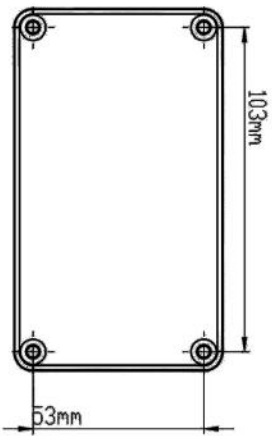
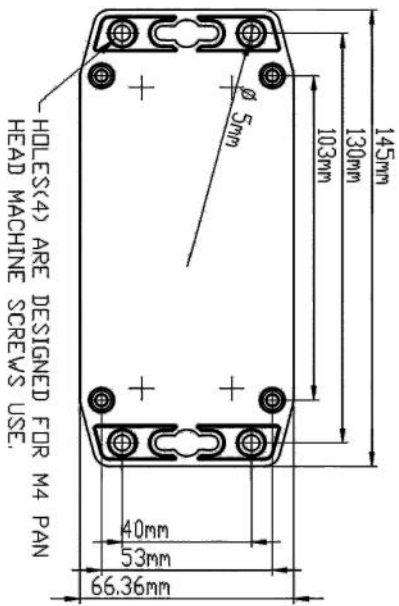
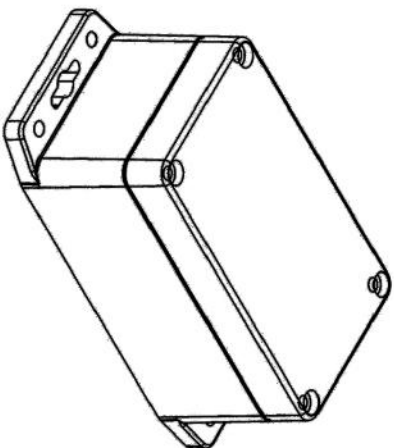
PRODUCT RANGE:

Art. Nr.

RND 455-00271

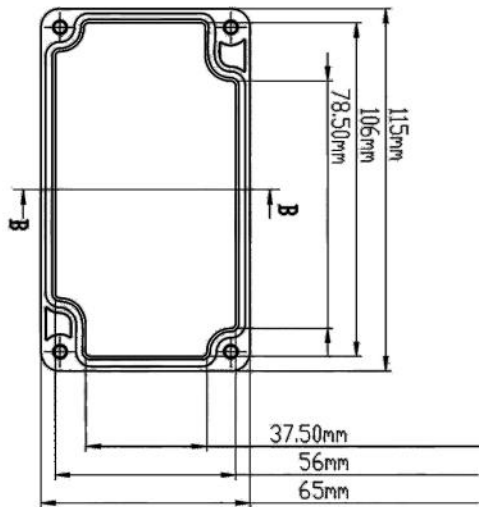
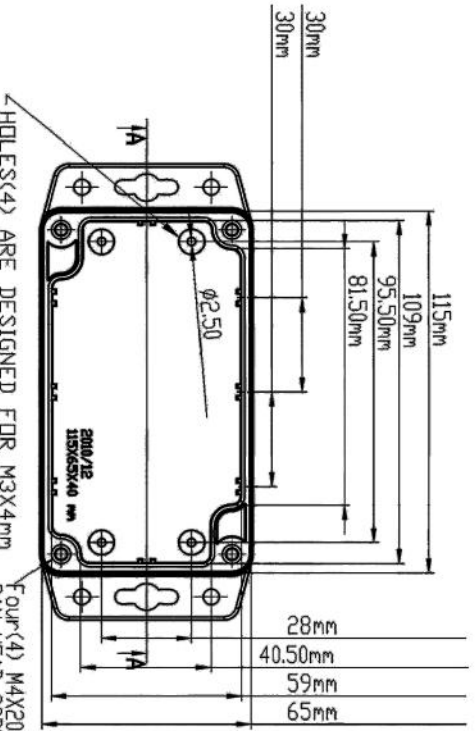


TOLERANCES: +/ - 0.30 mm (+/ - 0.012in)



HOLES(4) ARE DESIGNED FOR M3X4mm SELF-TAPPING SCREWS USE.

Four(4) MAX20mm PAN HEAD SCREWS.



SECTION B-B SCALE 2:1.3

