

Battery Contact Kit

For RND Hand-Held Enclosures



FEATURES:

The contacts are installed in standard places of the compatible enclosures
Kit of contacts for 2 x AAA batteries

SPECIFICATION:

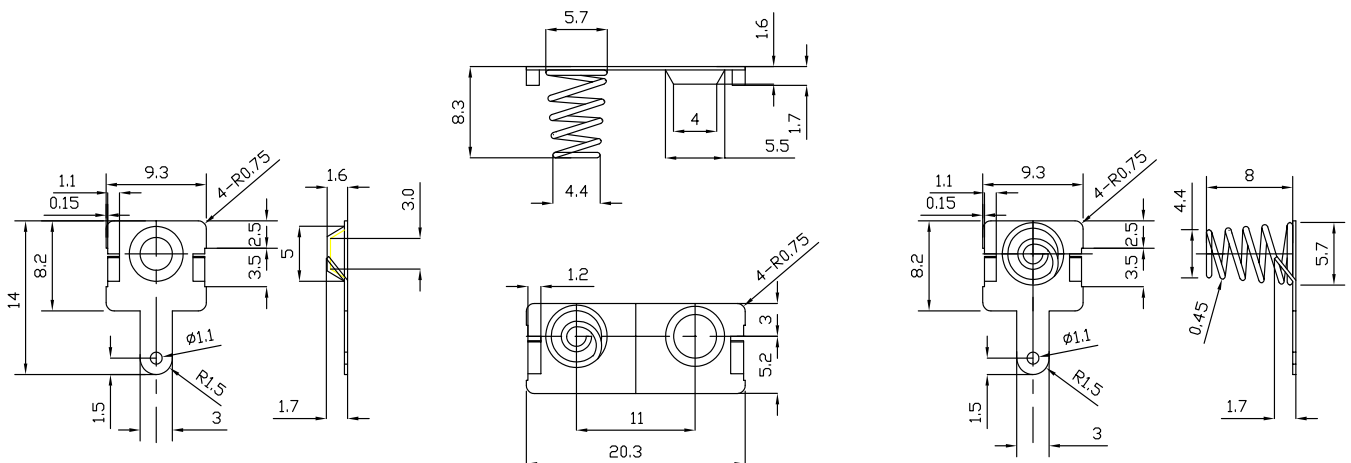
Material Metal

Art. Nr.

RND 455-00928



Note : Contact kit includes 3 parts



Unit : mm.

Tolerance : +/- 0.1 mm.