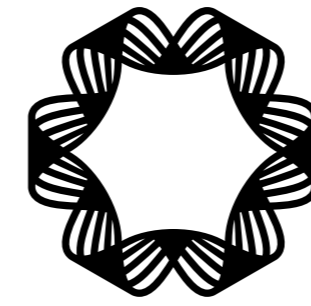
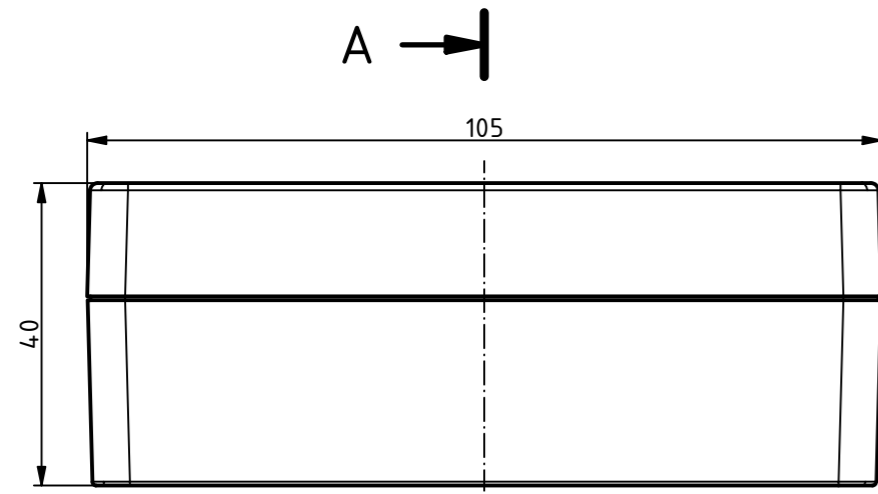
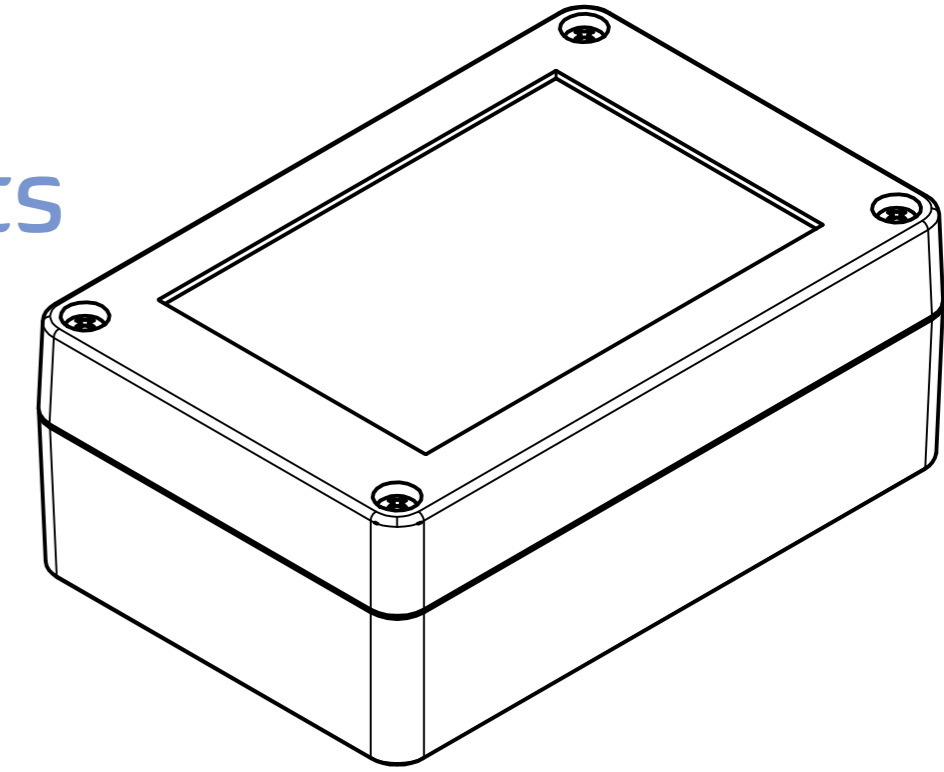


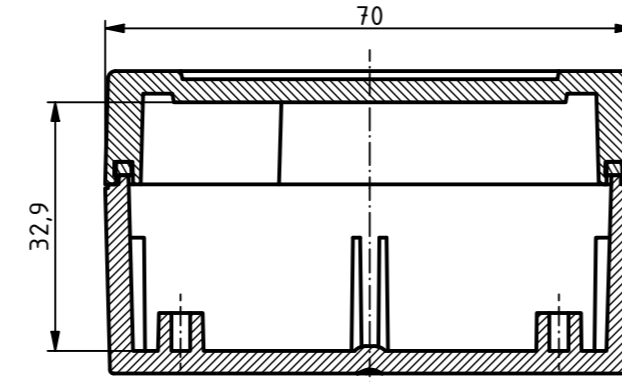
ISO (1 : 1)



RND
components



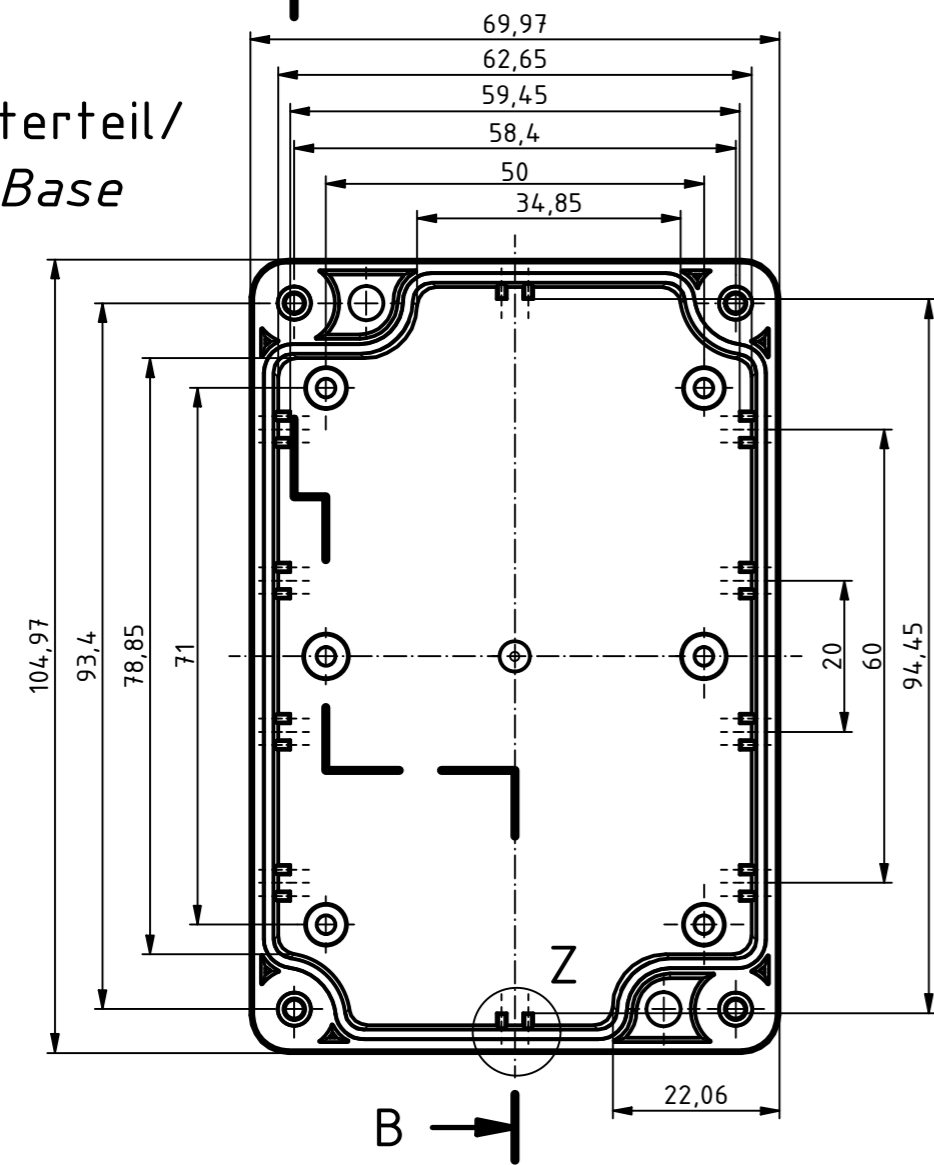
A-A (1 : 1)



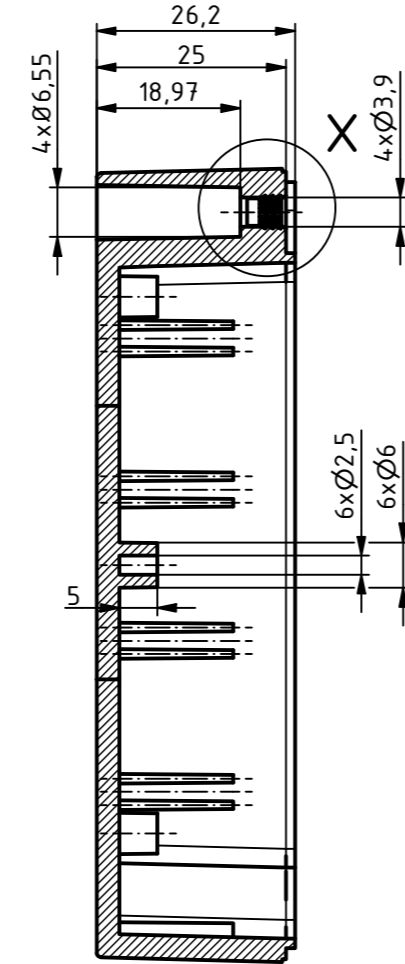
A →

B →

Unterteil/
Base

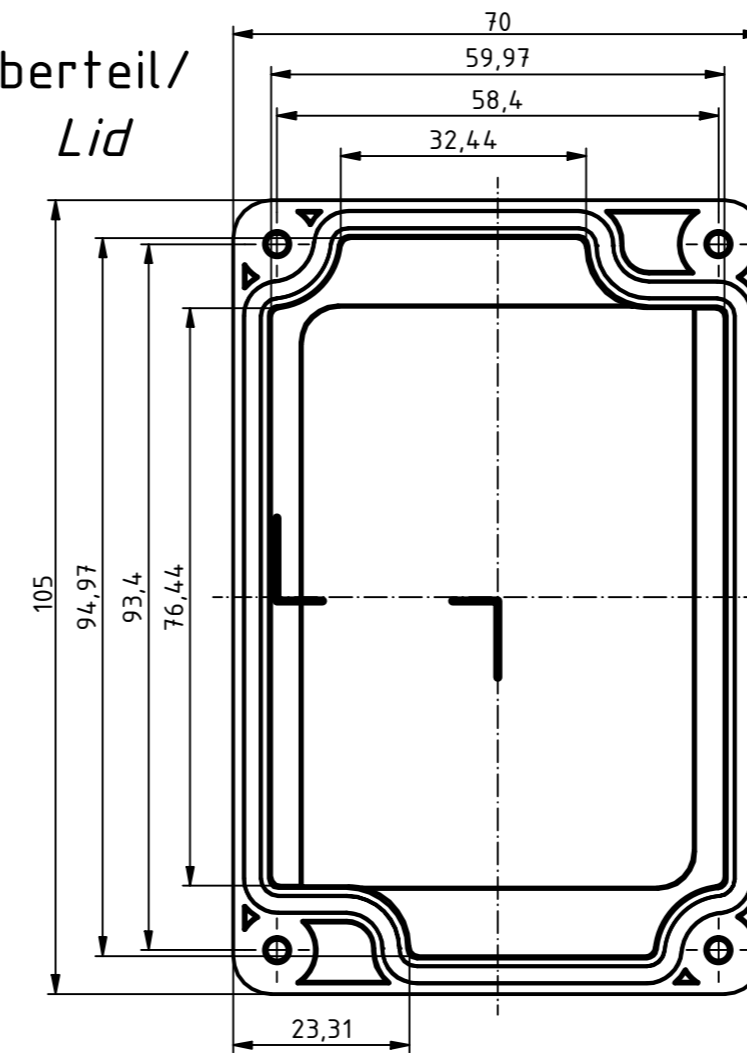


B-B (1 : 1)

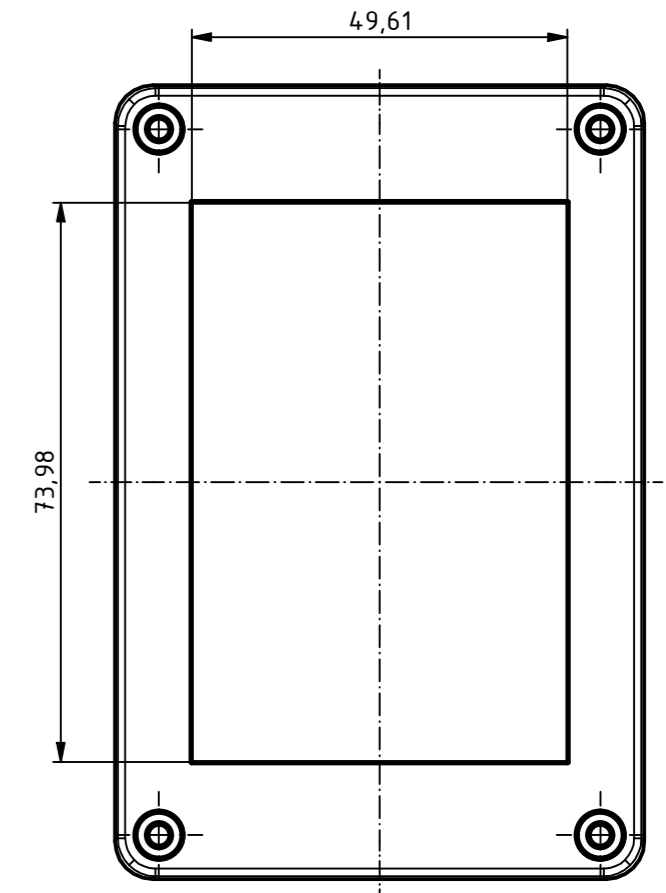
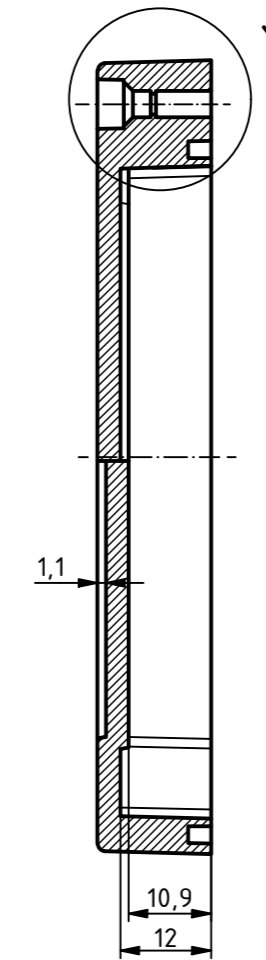


C →

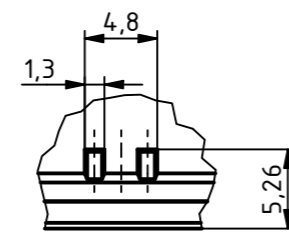
Oberteil/
Lid



C-C (1 : 1)

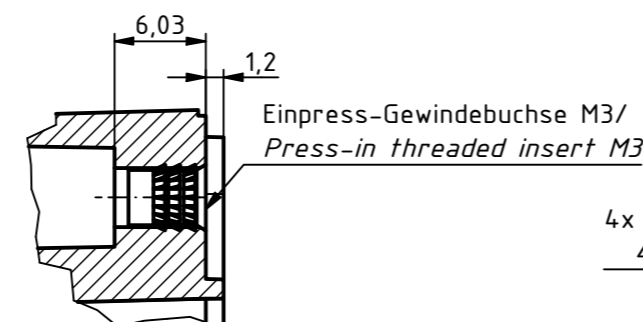


Z (2 : 1)

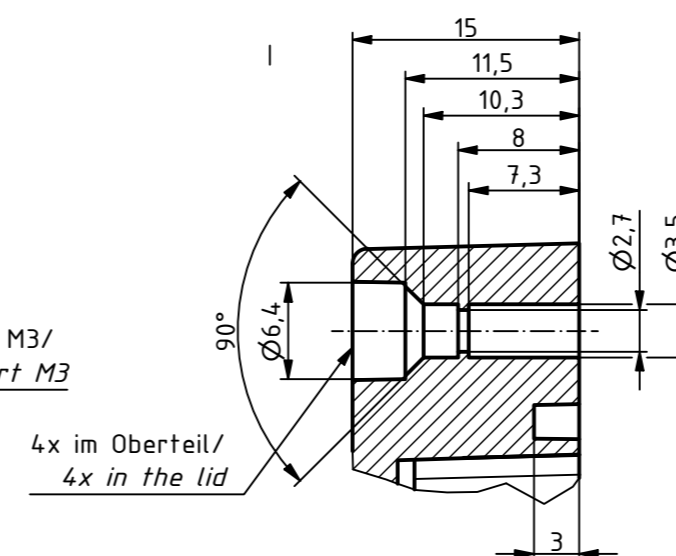


P

X (2 : 1)



Y (2 : 1)



For Version with enclosed gasket
Protection class IP40. To achieve protection class IP65,
the enclosed gasket must be mounted correctly. The gasket must not be stretched
or compressed in the corners. Ends cut obliquely and glued, so that the cut ends
are pressed together by the spring pressure.

SPECIFICATION	
RND NUMBER	RND 455-01339
Distrelec NUMBER	303-75-285
RND BAR CODE NUMBER	0042764639652
Product text English	Enclosure PC GREY. IP66.68
Outer Dimensions	105 x 70 x 40mm
Inner dimension length	78.9 x 62.6 x 32.9mm
Material	Polycarbonate
Colour	light grey, similar to RAL 7035
Lid	N/A
Wall brackets	N/A
Colour	light grey, similar to RAL 7035
Protection class	IP66 IP68 IK07