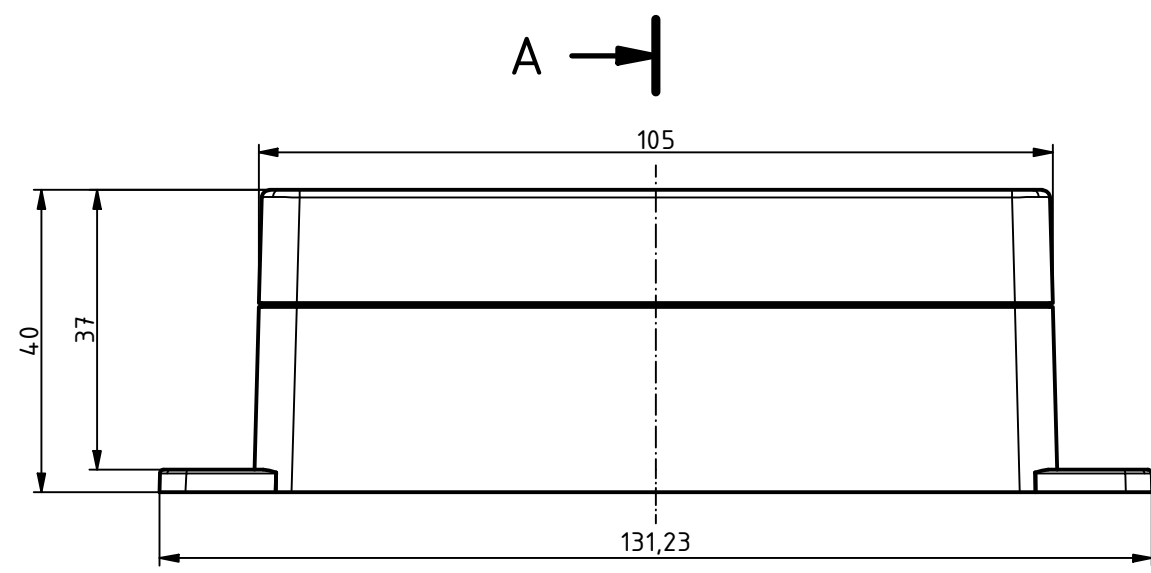
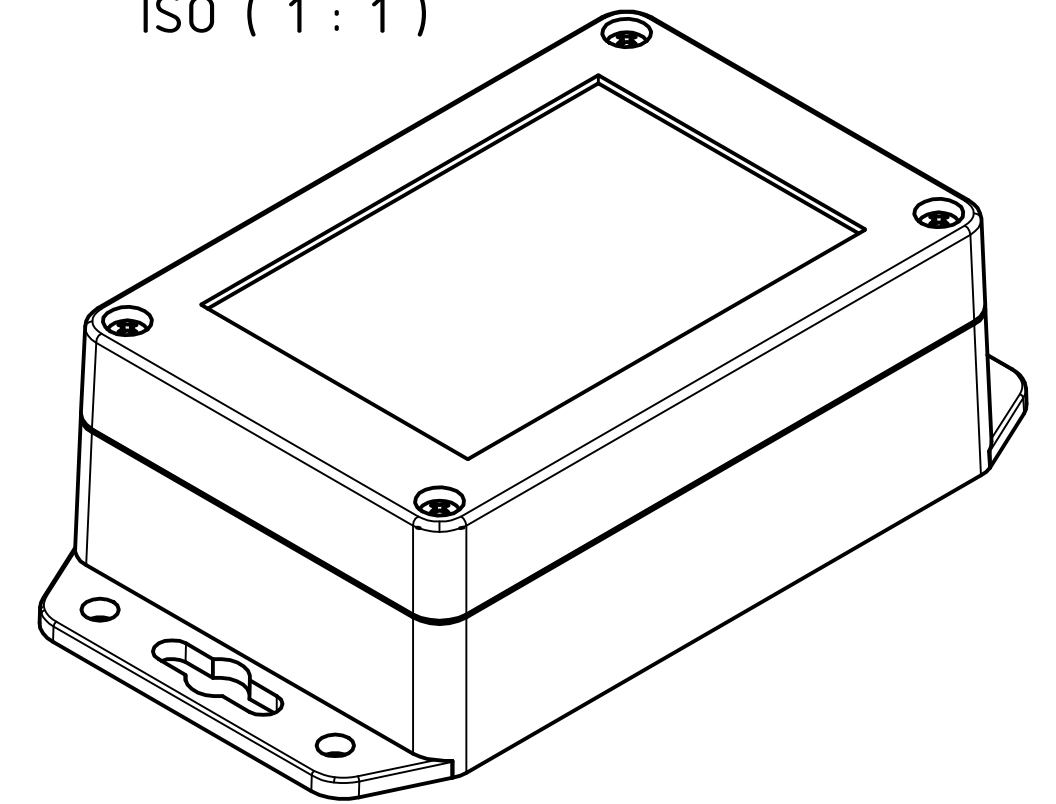
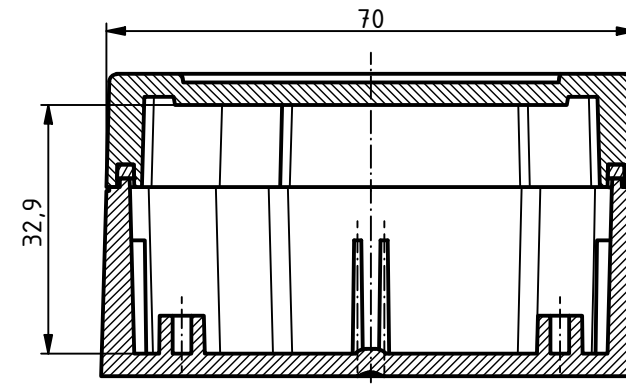




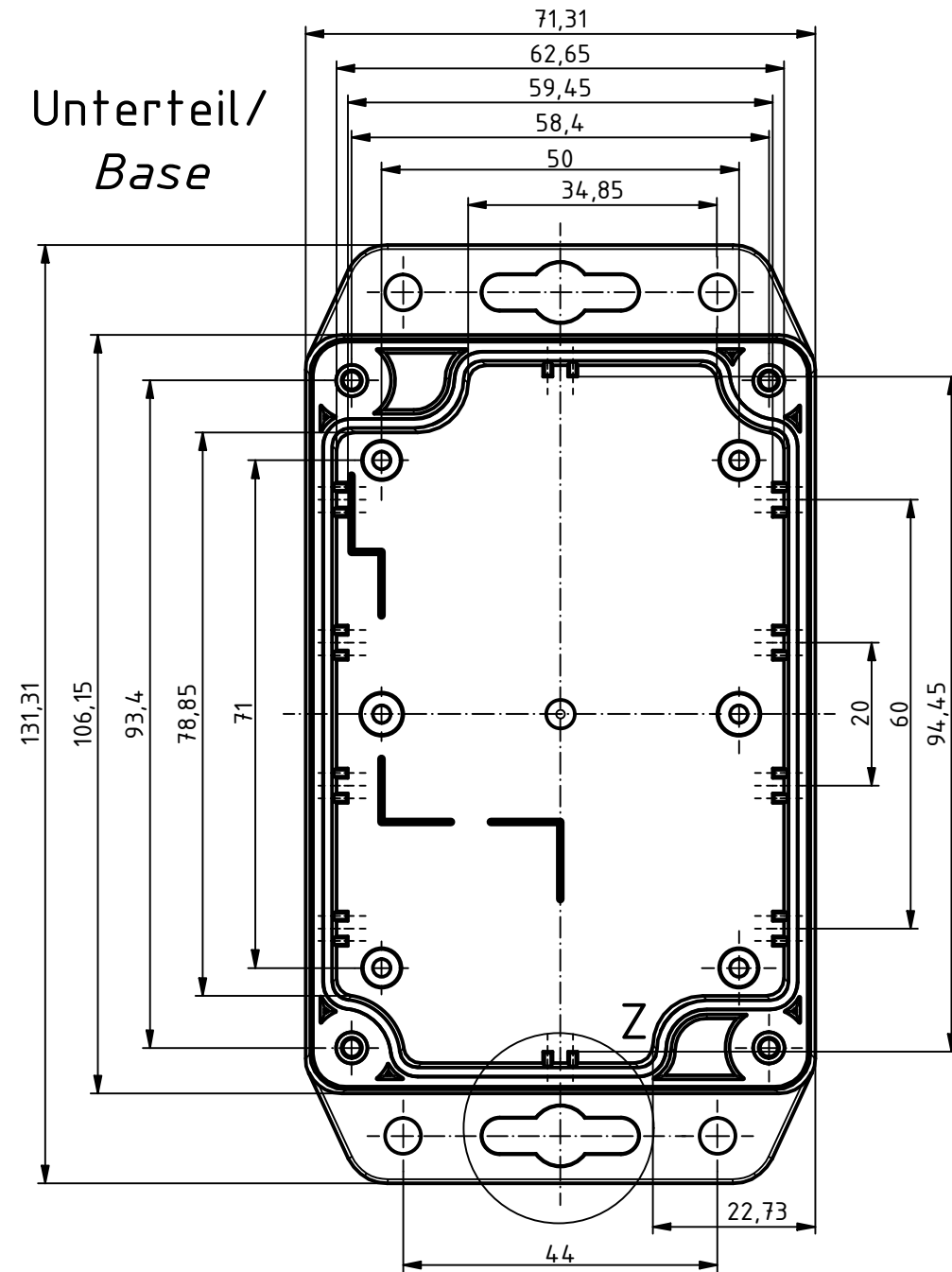
ISO (1 : 1)



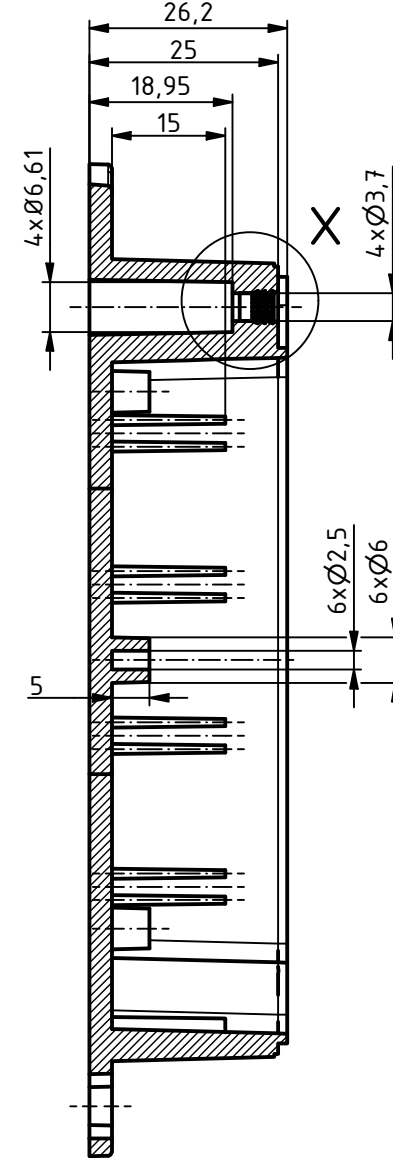
A-A (1 : 1)



B → A →

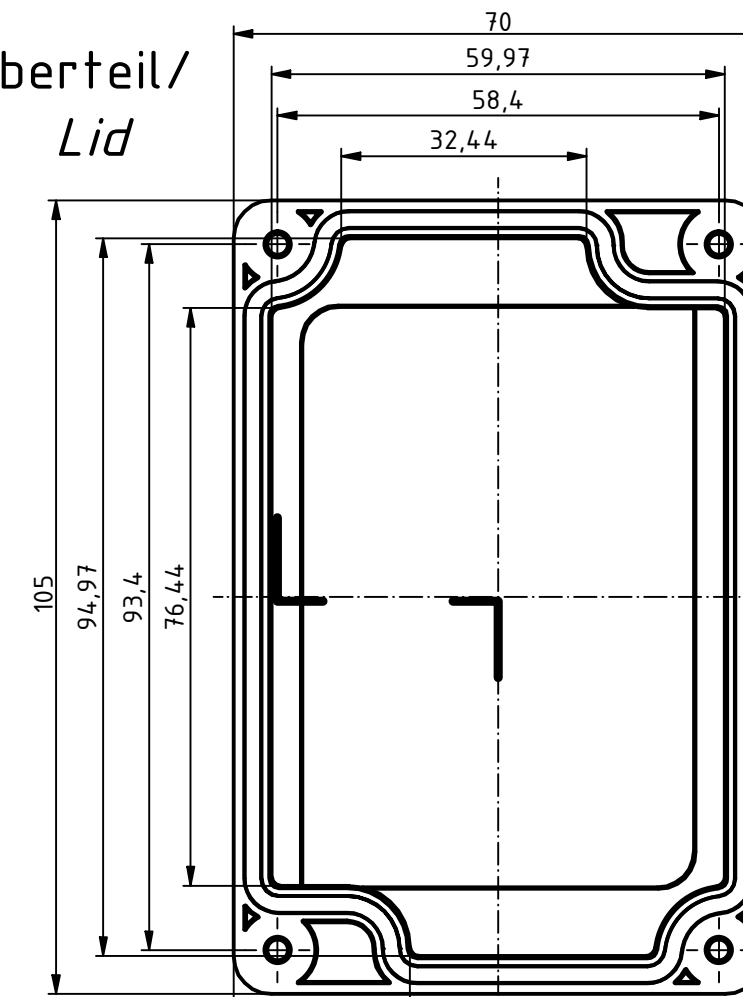


B-B (1 : 1)

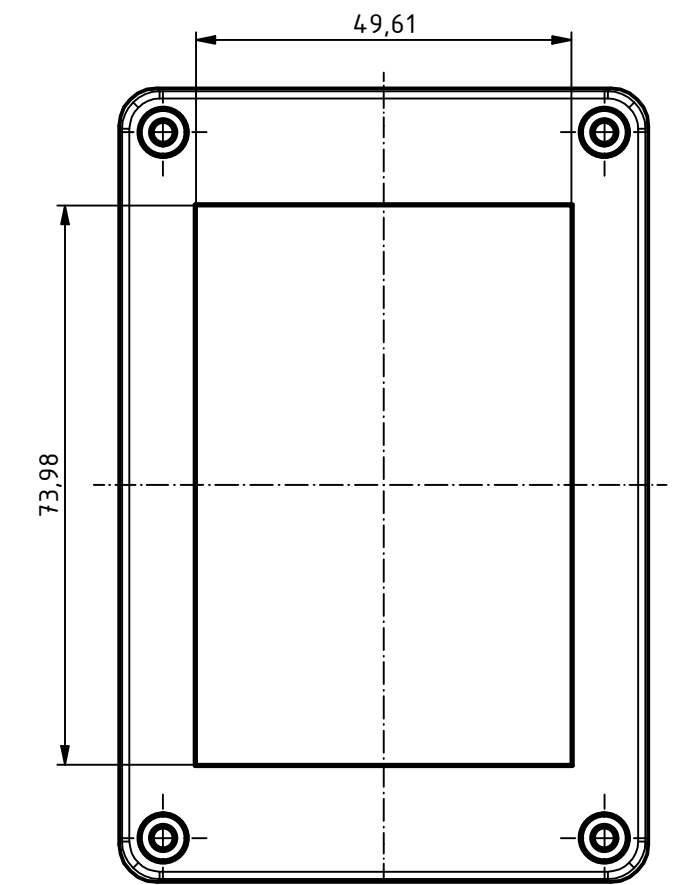
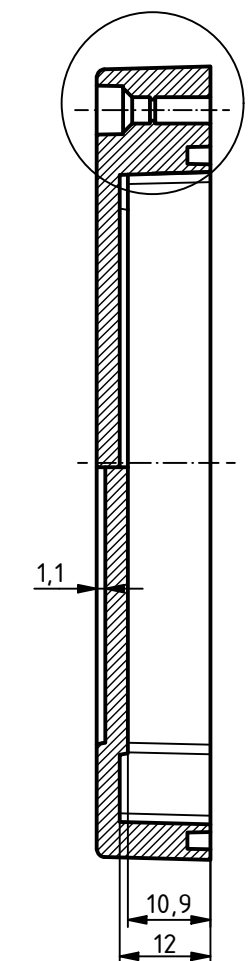


C →

Oberteil/
Lid

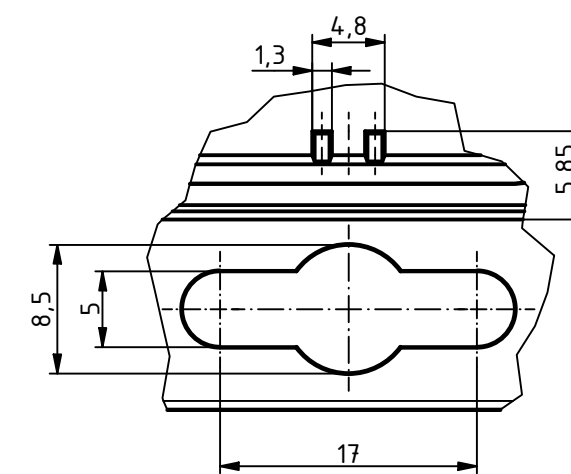


C-C (1 : 1)

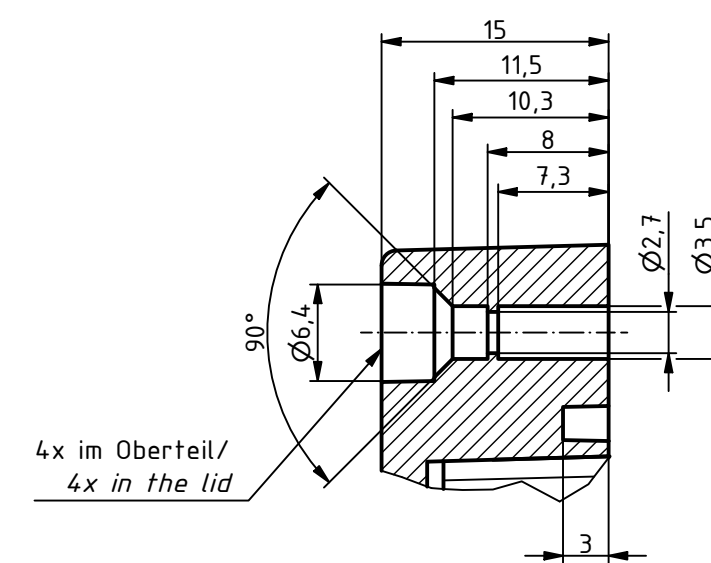


B →

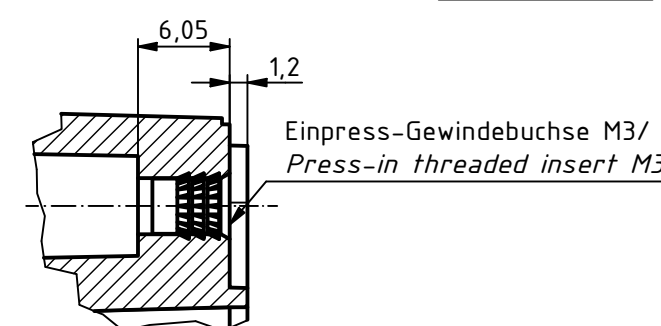
Z (2 : 1)



Y (2 : 1)



X (2 : 1)



For Version with enclosed gasket
Protection class IP40. To achieve protection class IP65,
the enclosed gasket must be mounted correctly. The gasket must not be stretched
or compressed in the corners. Ends cut obliquely and glued, so that the cut ends
are pressed together by the spring pressure.

SPECIFICATION

RND NUMBER	RND 455-01342
Distrelec NUMBER	303-75-288
RND BAR CODE NUMBER	0042764639683
Product text English	Enclosure ABS WL GREY. IP65 40 x 70 x 105
Outer Dimensions	105 x 70 x 40mm
Inner dimension length	78.9 x 62.6 x 32.9mm
Material	ABS
Colour	light grey, similar to RAL 7035
Lid	N/A
Wall brackets	Yes
Colour	light grey, similar to RAL 7035
Protection class	IP65 IK07