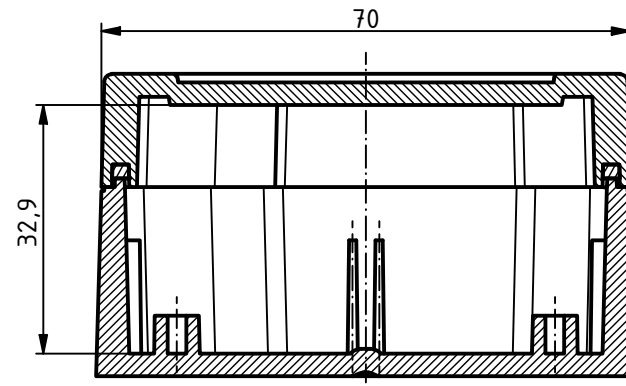
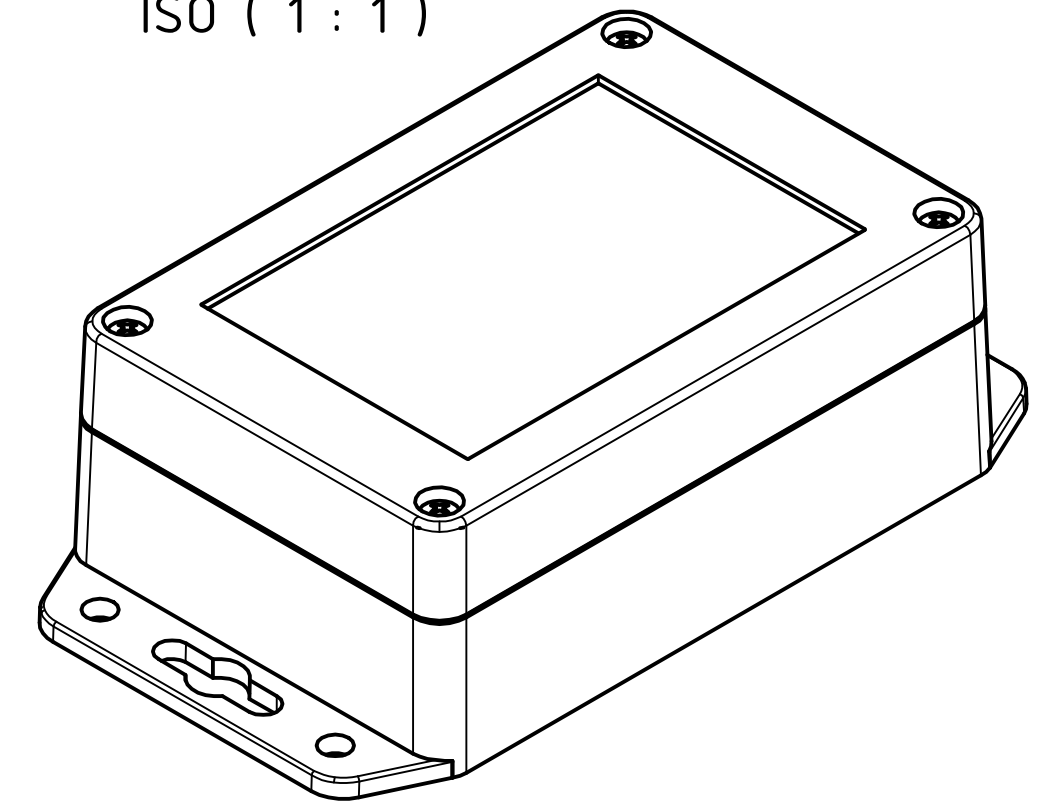


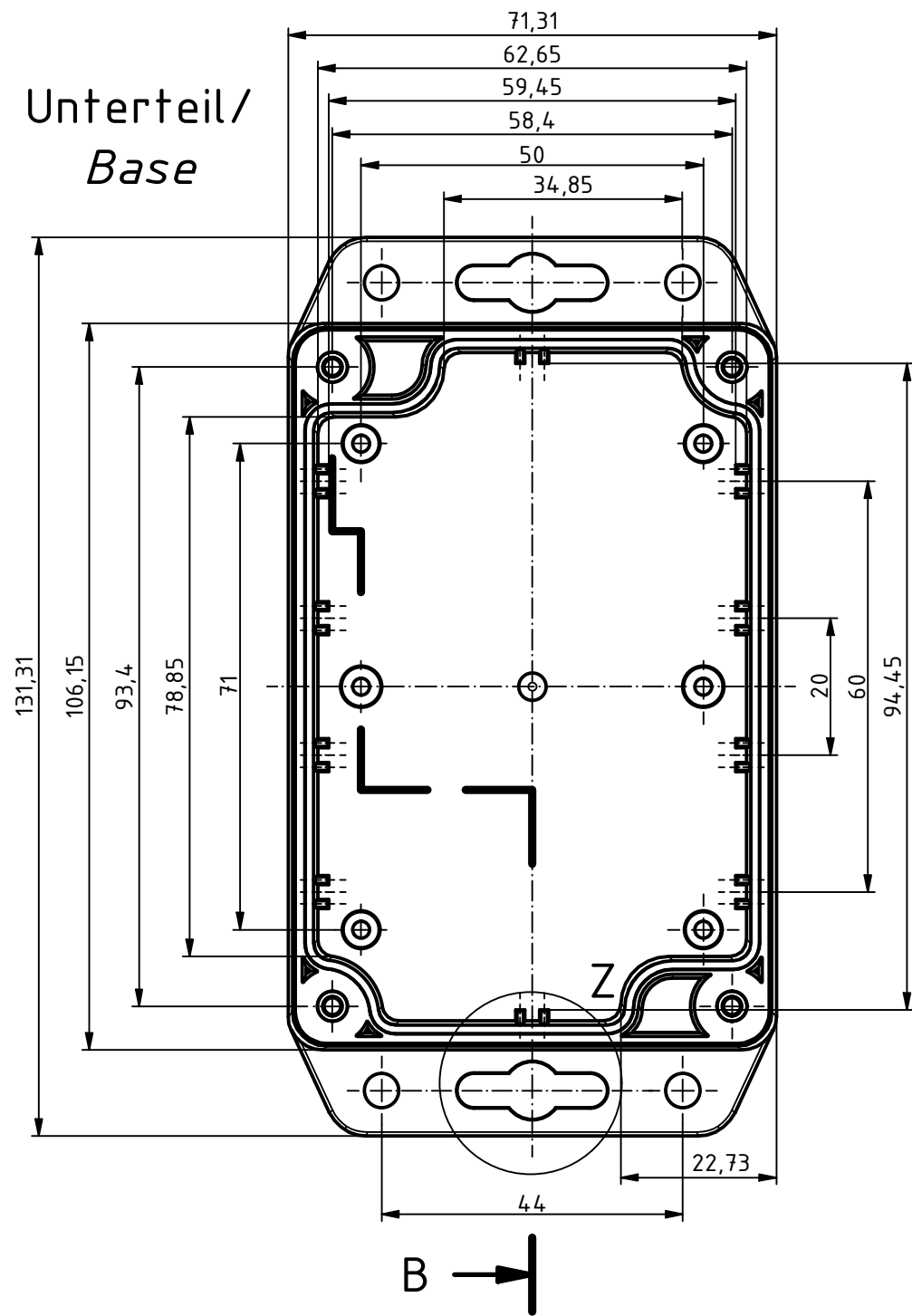
A-A (1:1)



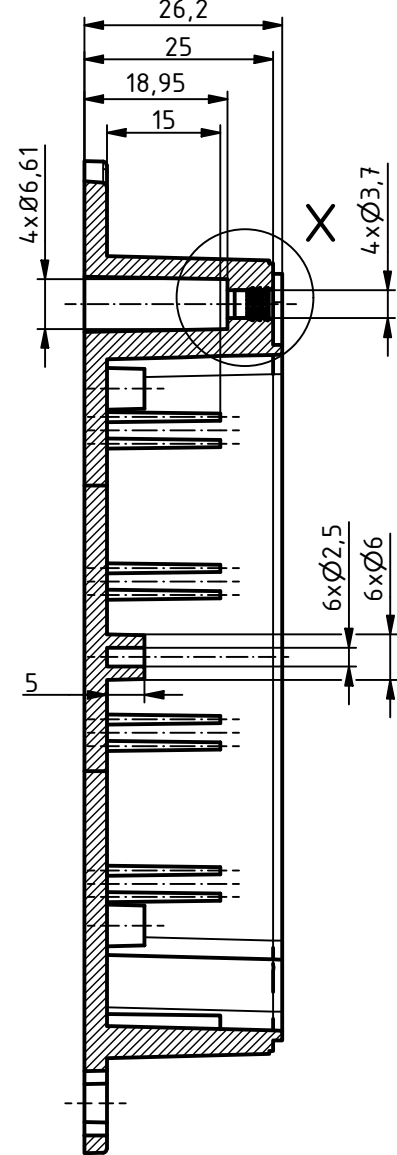
ISO (1:1)



B A

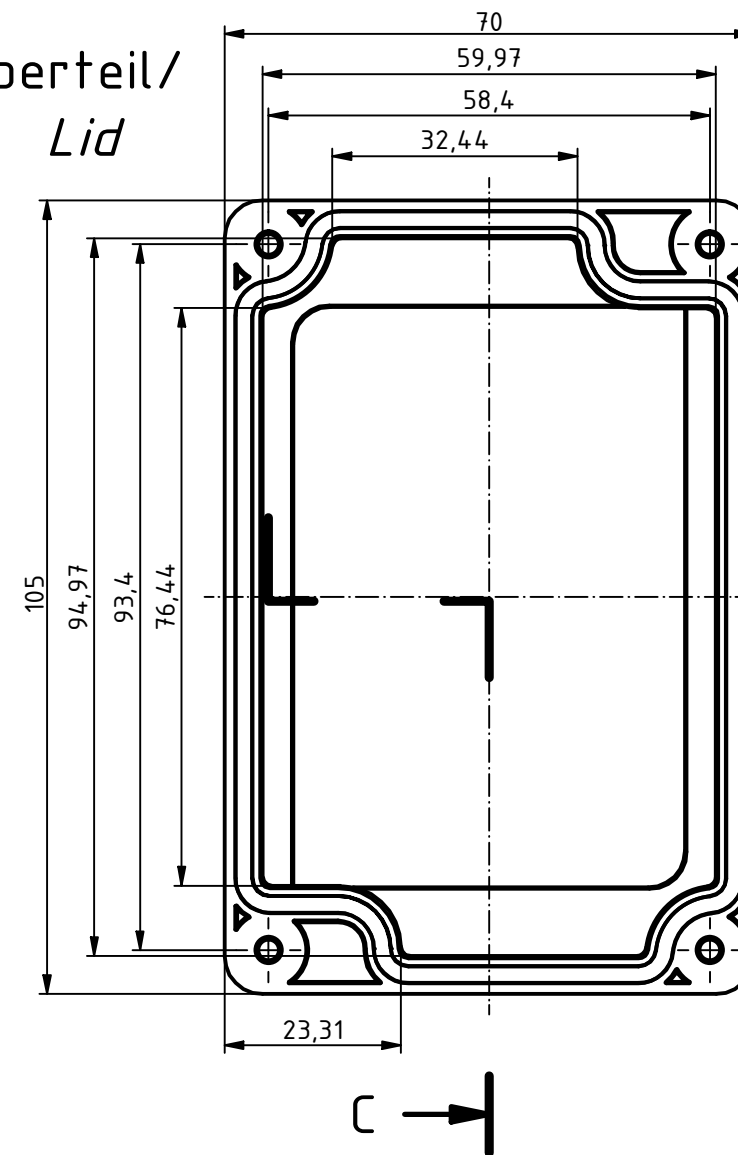


B-B (1:1)

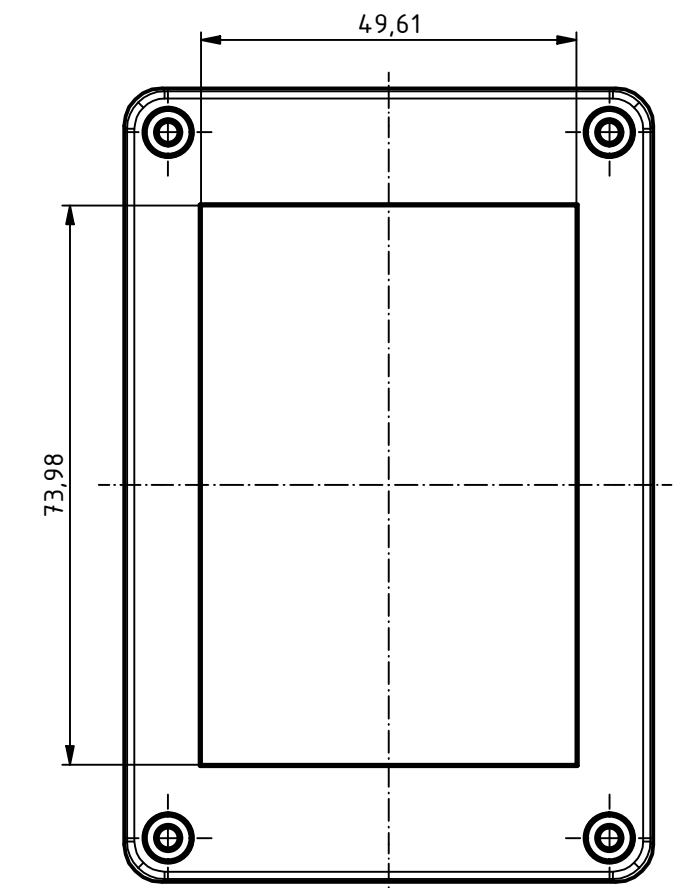
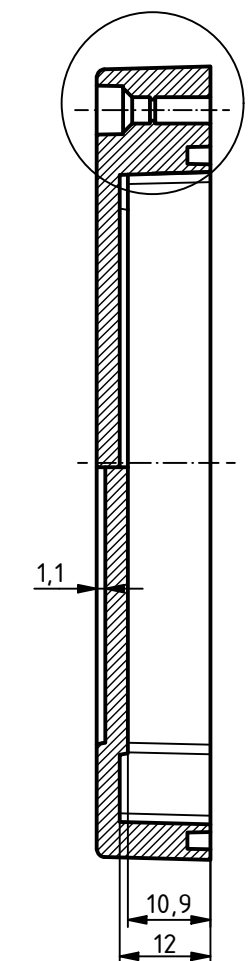


C

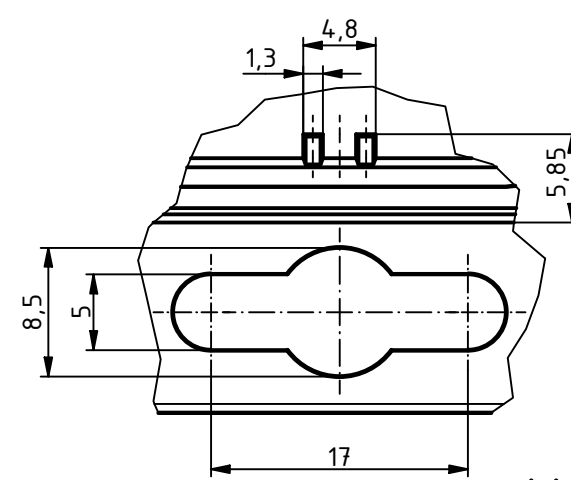
Oberteil/  
Lid



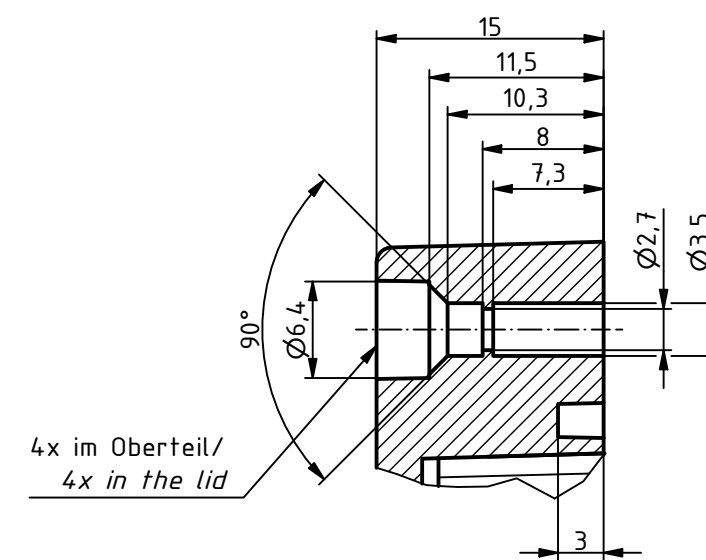
C-C (1:1)



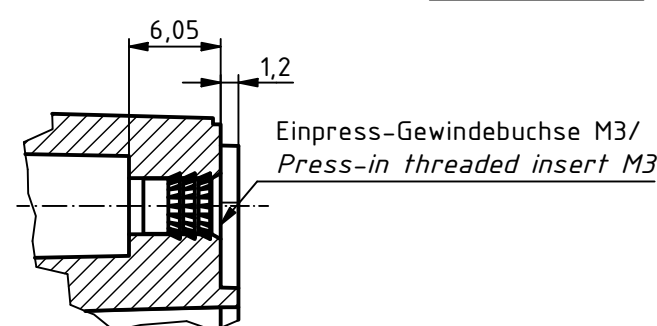
Z (2:1)



Y (2:1)



X (2:1)



For Version with enclosed gasket  
Protection class IP40. To achieve protection class IP65,  
the enclosed gasket must be mounted correctly. The gasket must not be stretched  
or compressed in the corners. Ends cut obliquely and glued, so that the cut ends  
are pressed together by the spring pressure.

SPECIFICATION

RND NUMBER	RND 455-01345
Distrelec NUMBER	303-75-291
RND BAR CODE NUMBER	0042764639713
Product text English	Enclosure PC WL GREY.transp.lid.IP65
Outer Dimensions	105 x 70 x 40mm
Inner dimension length	78.9 x 62.6 x 32.9mm
Material	Polycarbonate
Colour	light grey. similar to RAL 7035
Lid	Transparent
Wall brackets	Yes
Colour	light grey. similar to RAL 7035
Protection class	IP65 IK07