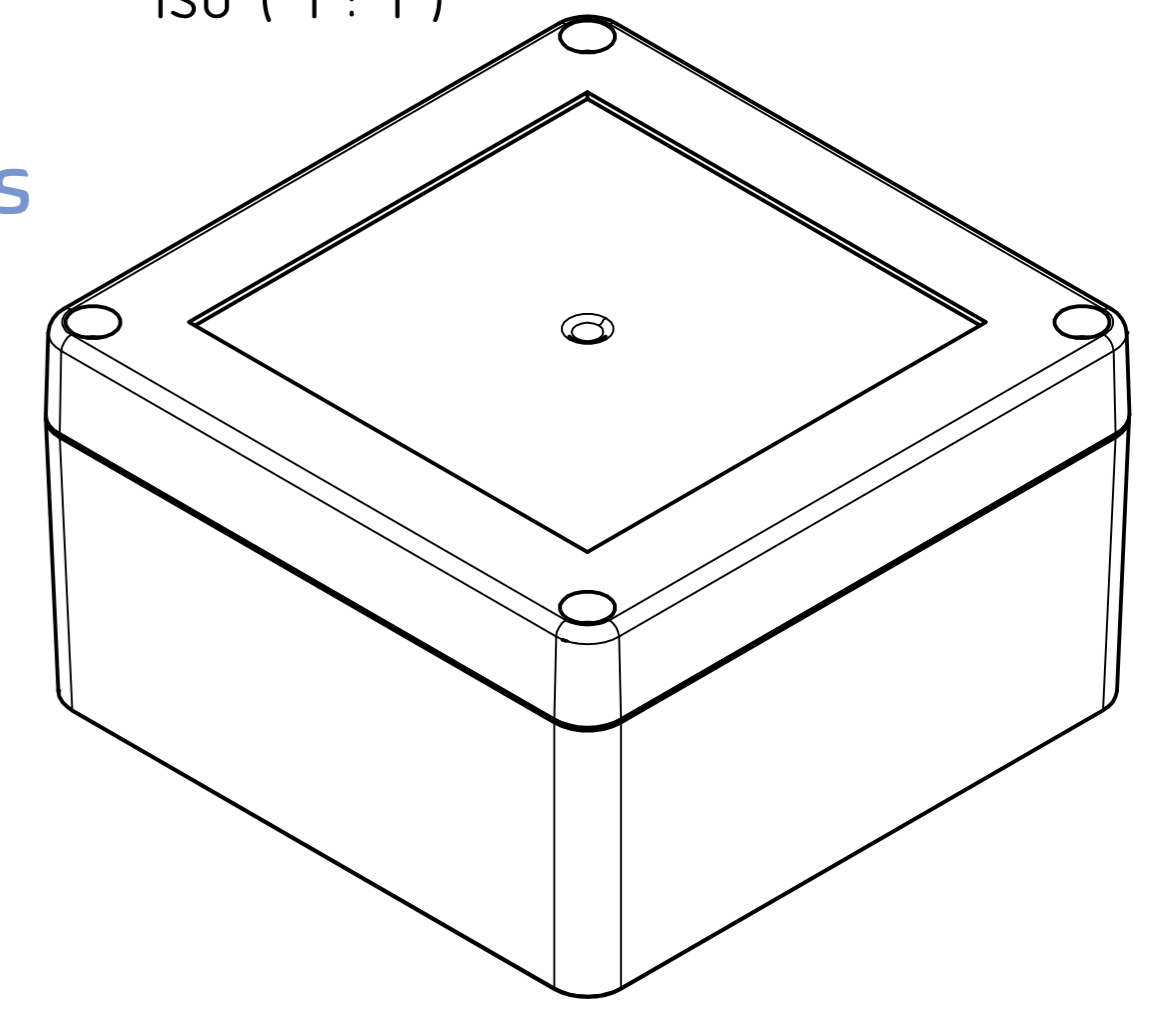
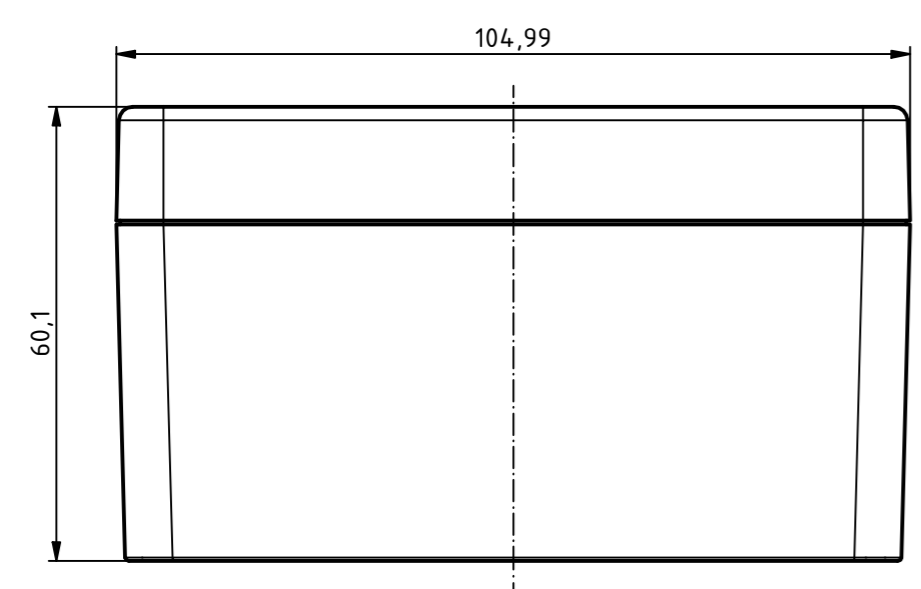




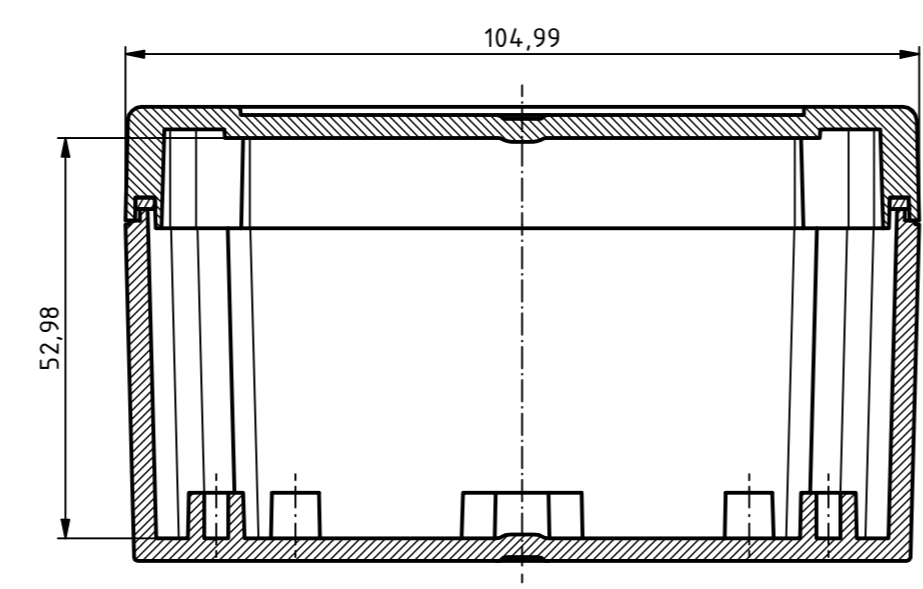
ISO ( 1 : 1 )



A →

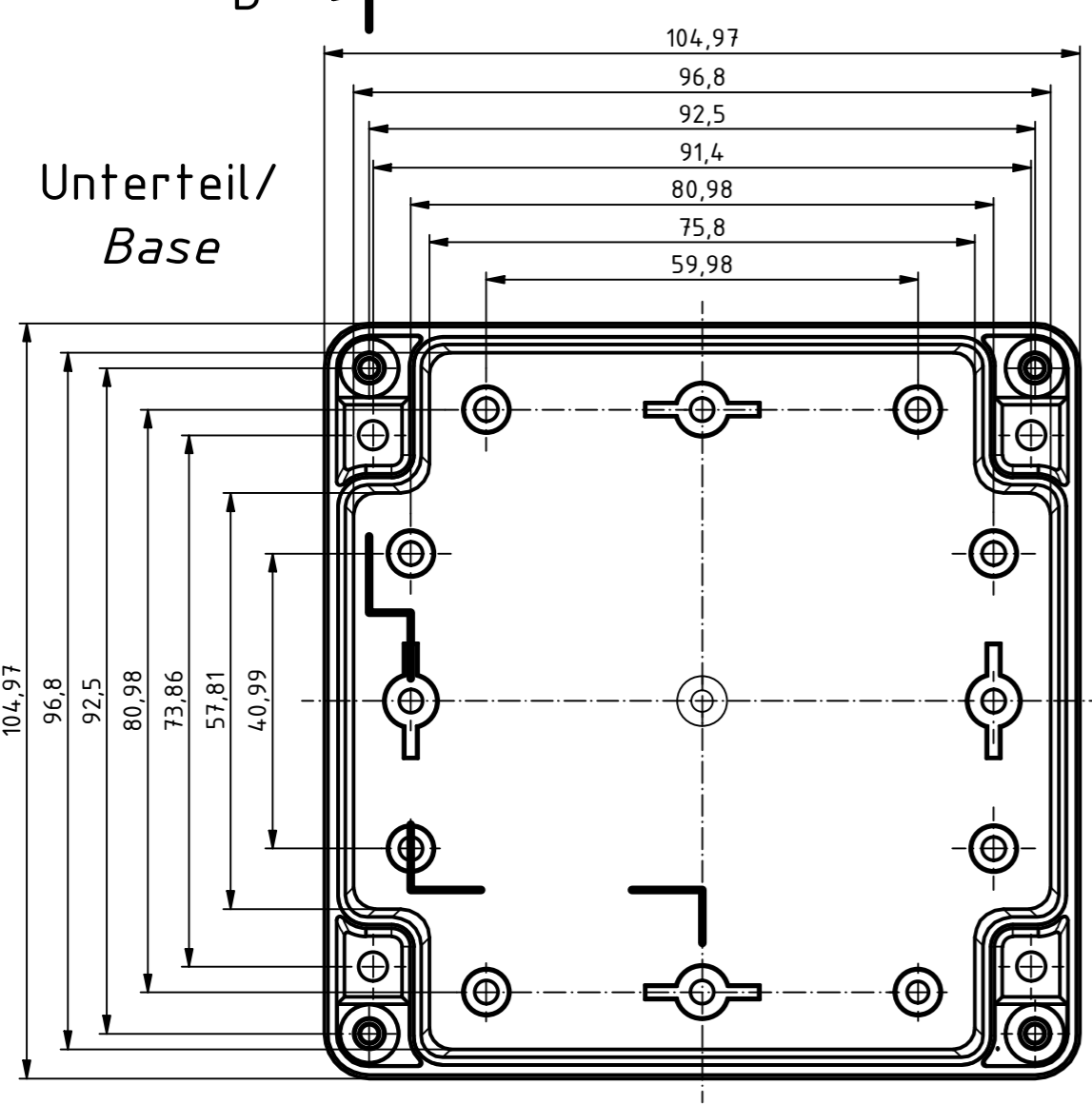


A-A ( 1 : 1 )

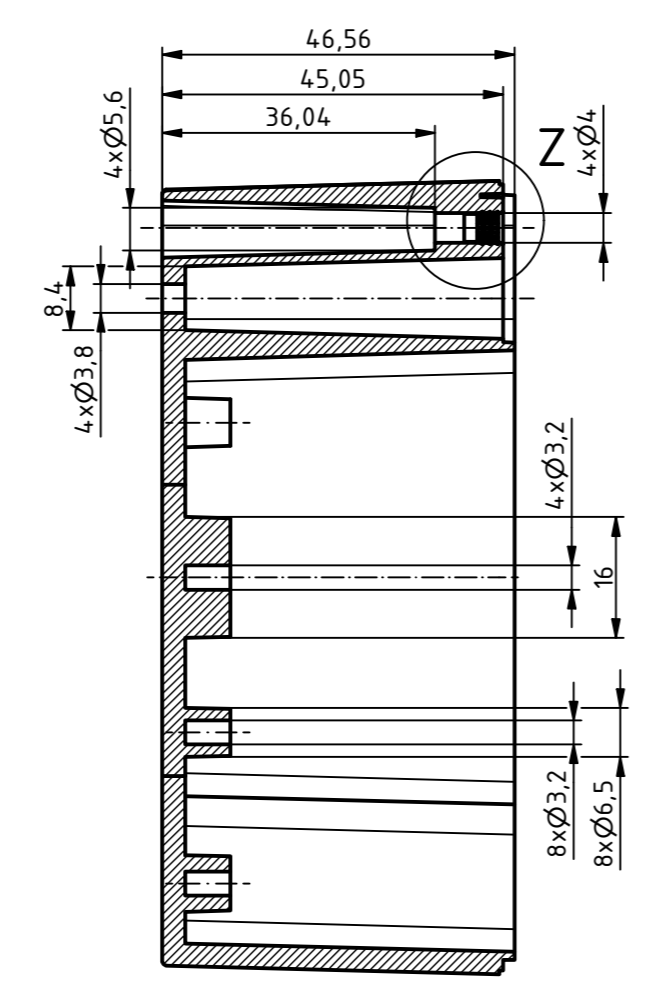


A →

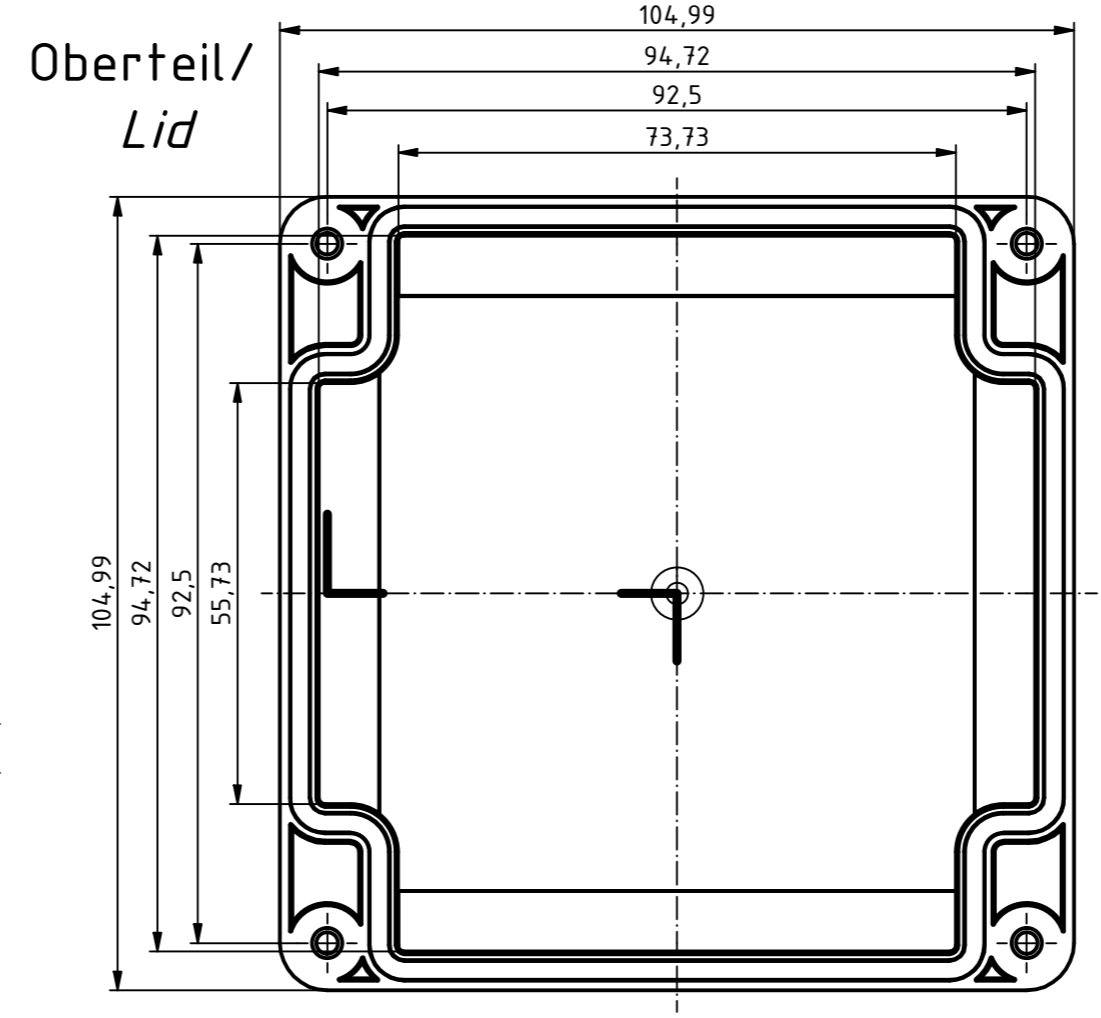
B →



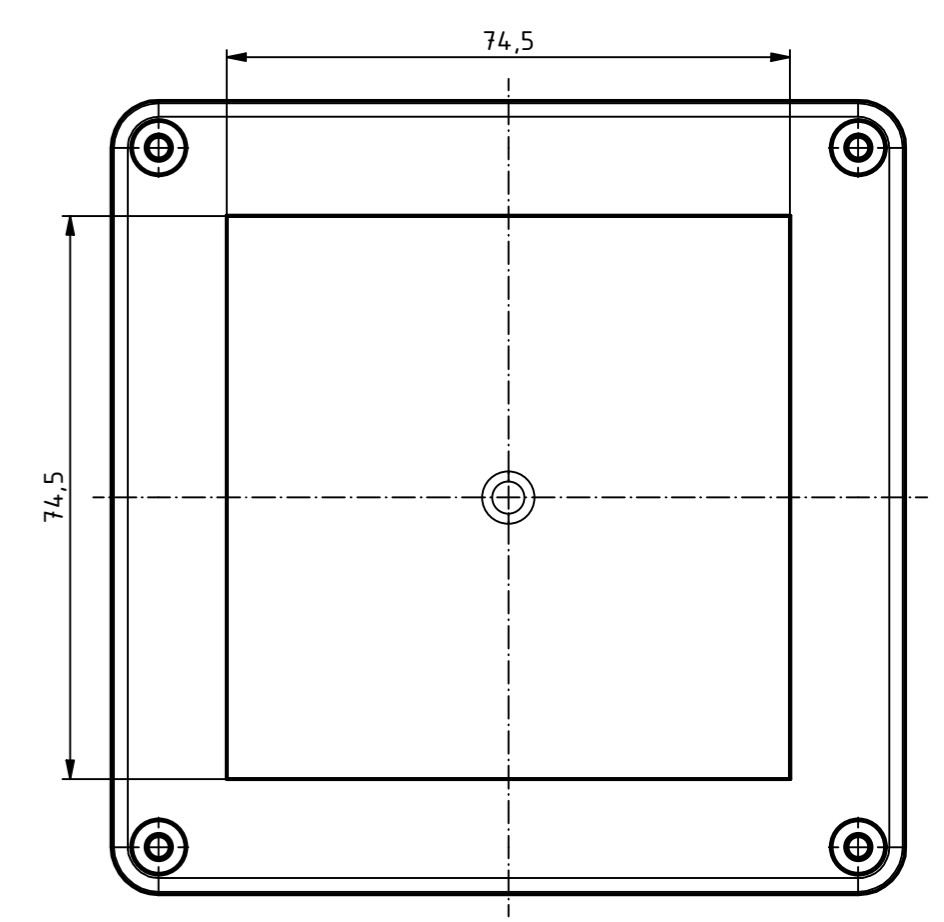
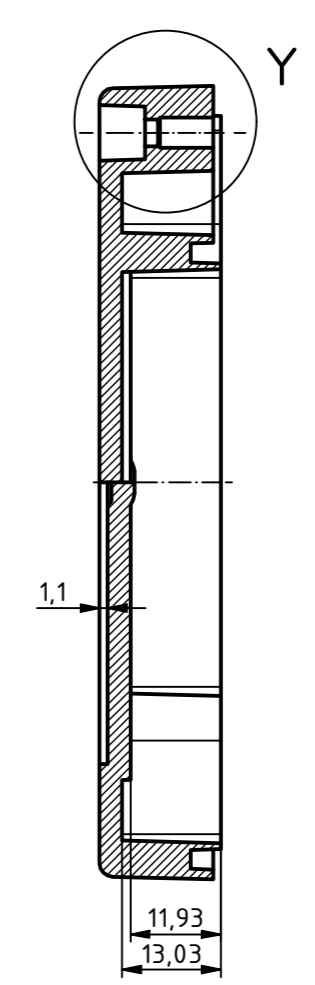
B-B ( 1 : 1 )



C →

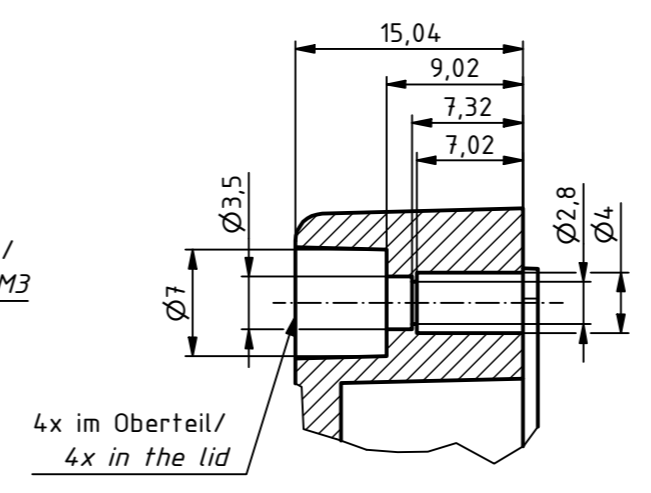


C-C ( 1 : 1 )

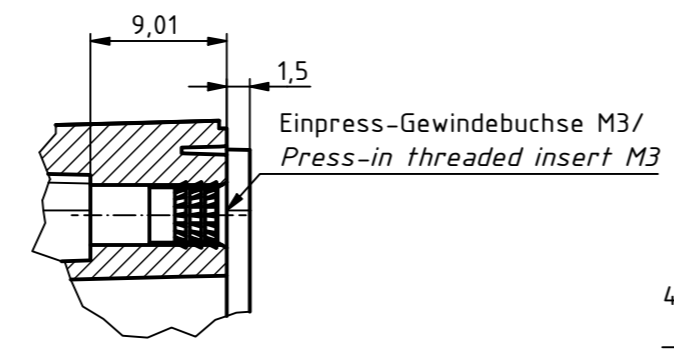


B →

Y ( 2 : 1 )



Z ( 2 : 1 )



For Version with enclosed gasket  
Protection class IP40. To achieve protection class IP65,  
the enclosed gasket must be mounted correctly. The gasket must not be stretched or  
compressed in the corners. Ends cut obliquely and glued, so that the cut ends  
are pressed together by the spring pressure.

SPECIFICATION	
RND NUMBER	RND 455-01346
Distrelec NUMBER	303-75-292
RND BAR CODE NUMBER	0042764639720
Product text English	Enclosure ABS GREY. IP65
Outer Dimensions	105 x 105 x 60.1mm
Inner dimension length	75.8 x 96.8 x 53mm
Material	ABS
Colour	light grey. similar to RAL 7035
Lid	N/A
Wall brackets	N/A
Colour	light grey. similar to RAL 7035
Protection class	IP65 IK07