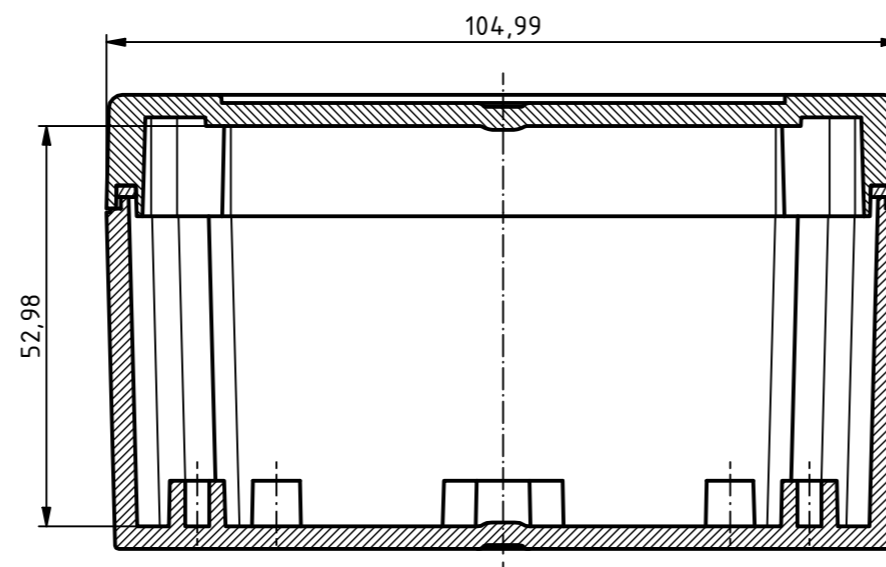
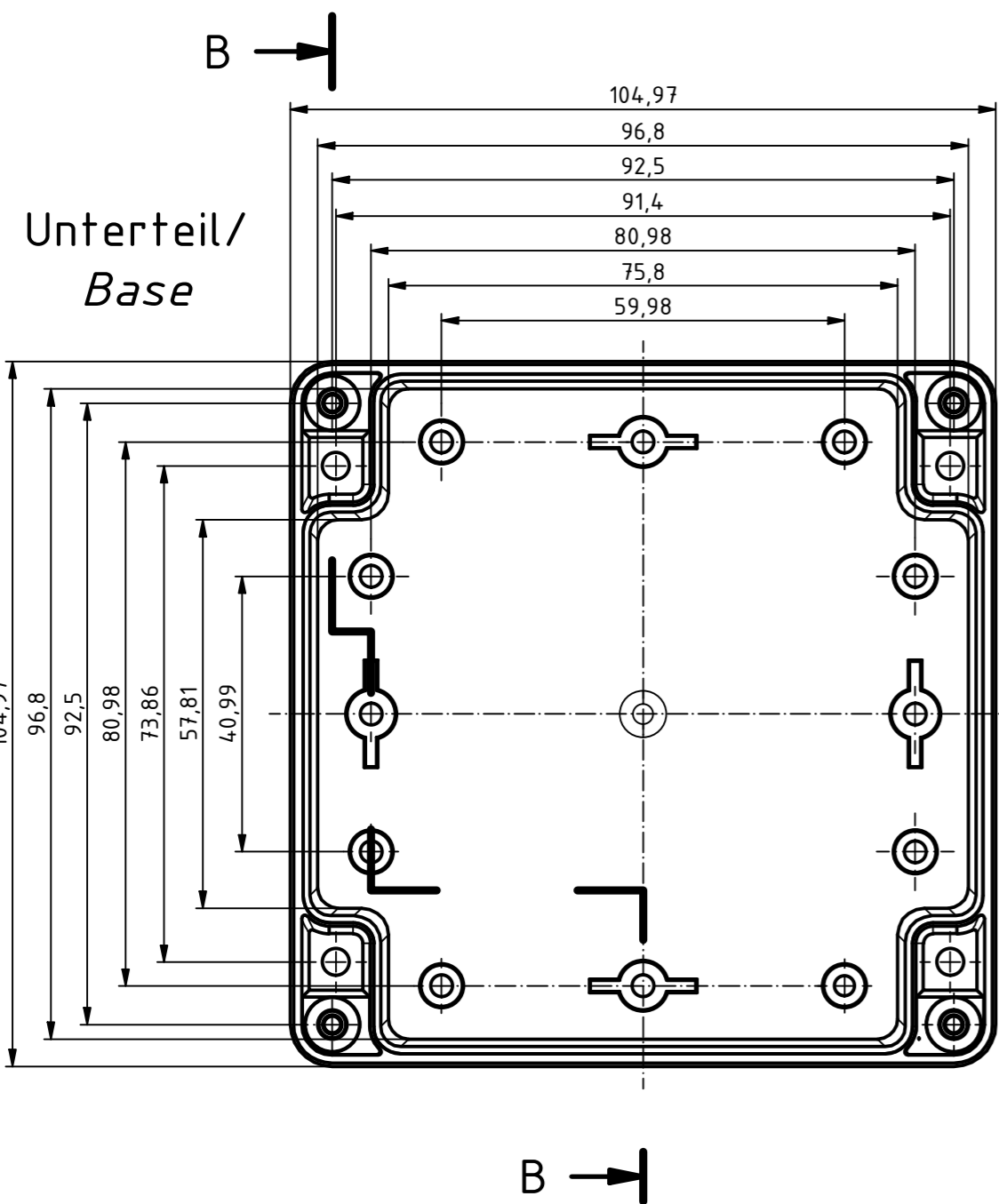
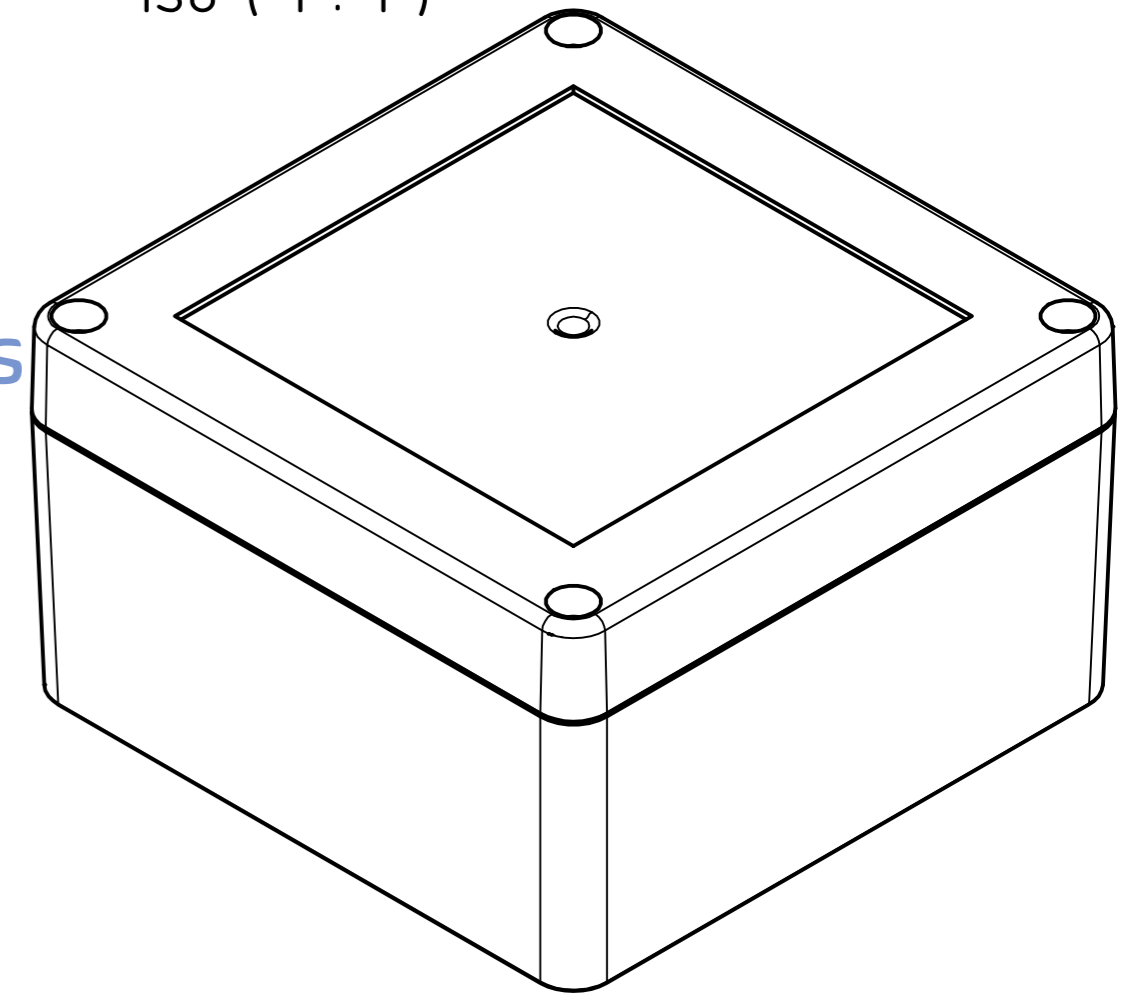


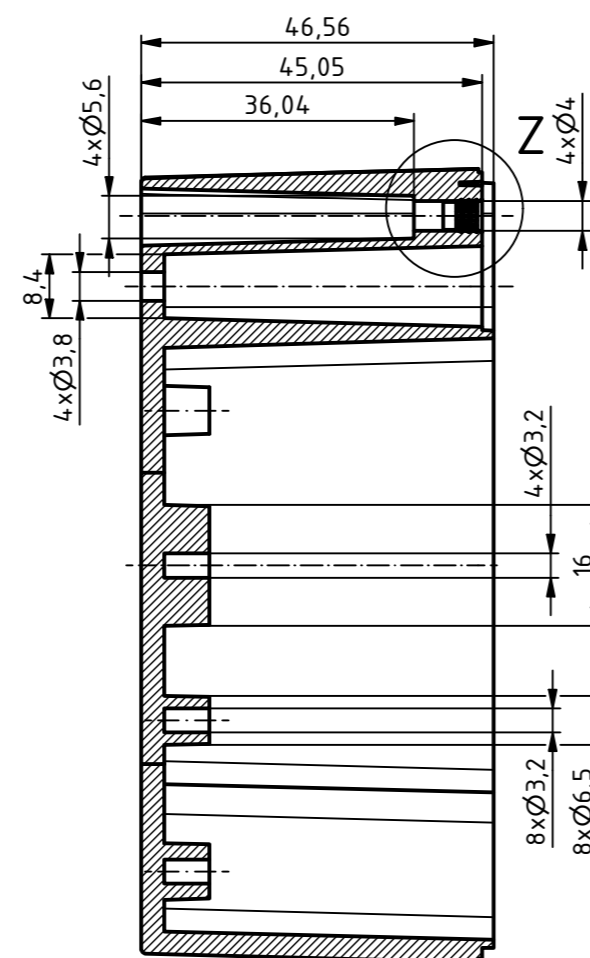
A-A (1 : 1)



ISO (1 : 1)

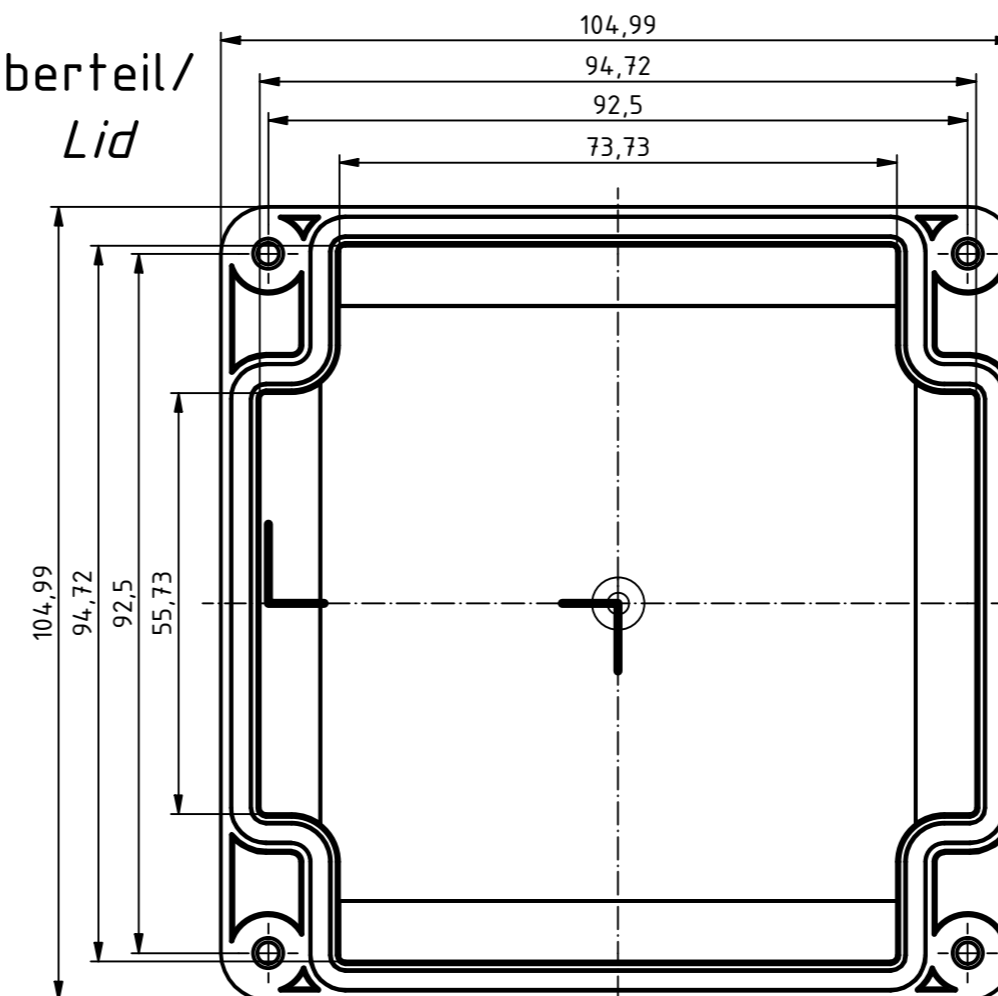


B-B (1 : 1)

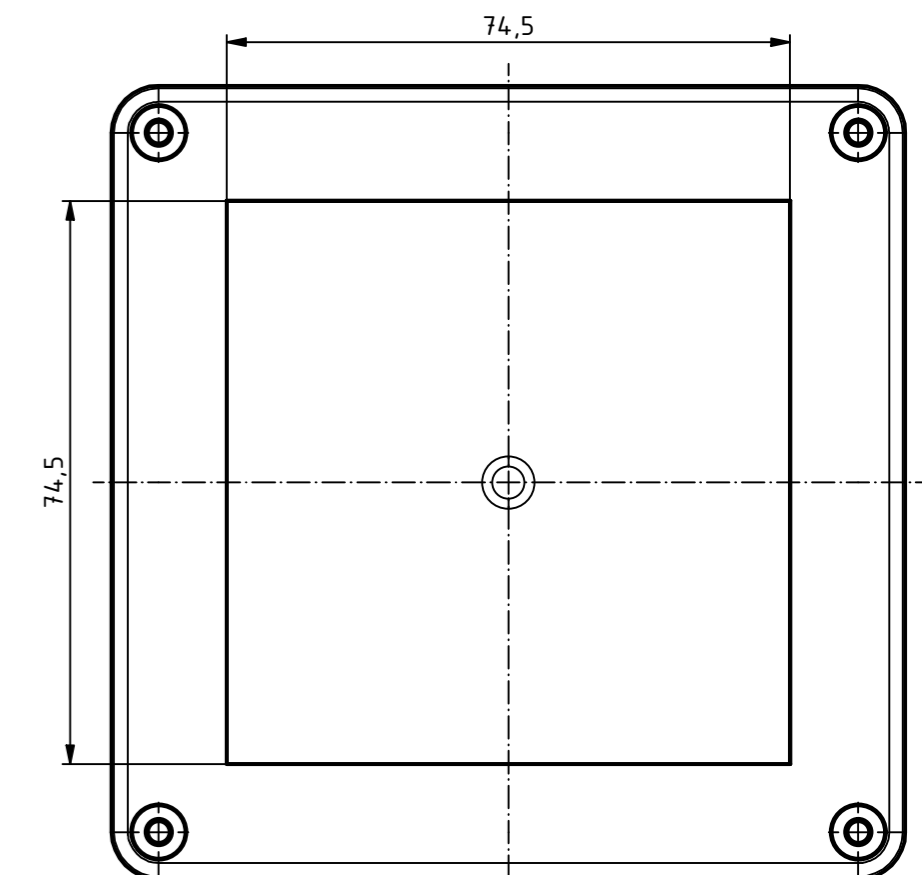
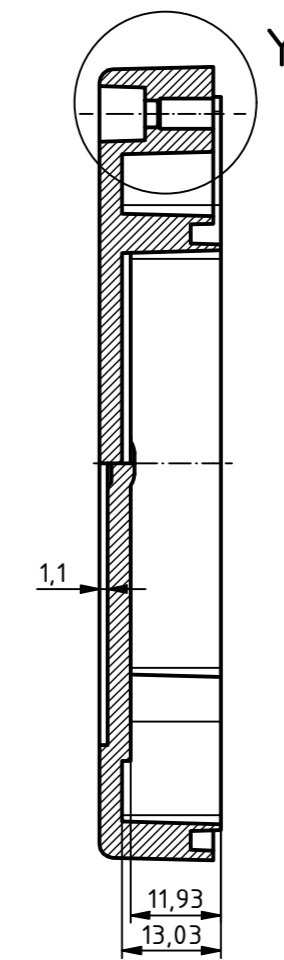


C →

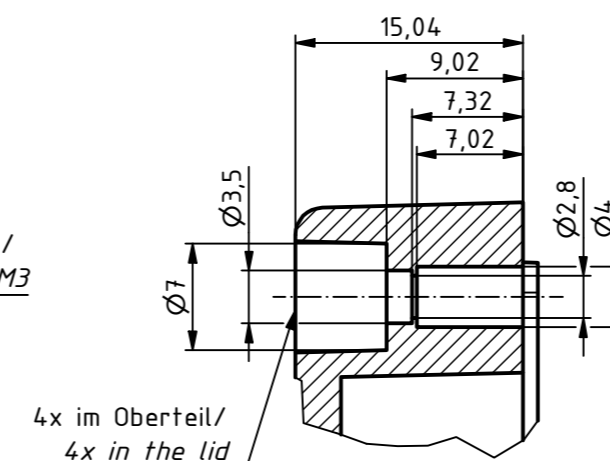
Oberteil/
Lid



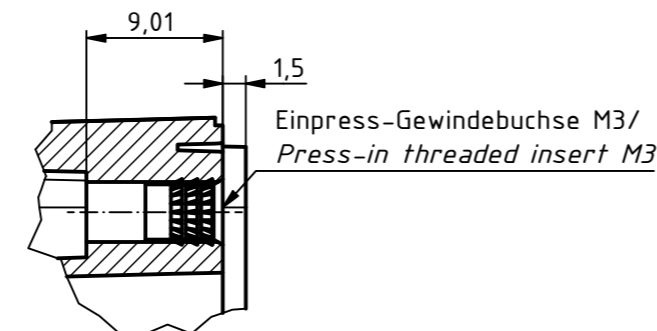
C-C (1 : 1)



Y (2 : 1)



Z (2 : 1)



4x im Oberteil/
4x in the lid

For Version with enclosed gasket
Protection class IP40. To achieve protection class IP65,
the enclosed gasket must be mounted correctly. The gasket must not be stretched
or compressed in the corners. Ends cut obliquely and glued, so that the cut ends
are pressed together by the spring pressure.

SPECIFICATION

RND NUMBER	RND 455-01349
Distrelec NUMBER	303-75-295
RND BAR CODE NUMBER	0042764639751
Product text English	Enclosure ABS-PC GREY. transp. lid. IP65
Outer Dimensions	105 x 105 x 60.1mm
Inner dimension length	75.8 x 96.8 x 53mm
Material	ABS & Polycarbonate
Colour	light grey. similar to RAL 7035
Lid	Transparent
Wall brackets	N/A
Colour	light grey. similar to RAL 7035
Protection class	IP65 IK07