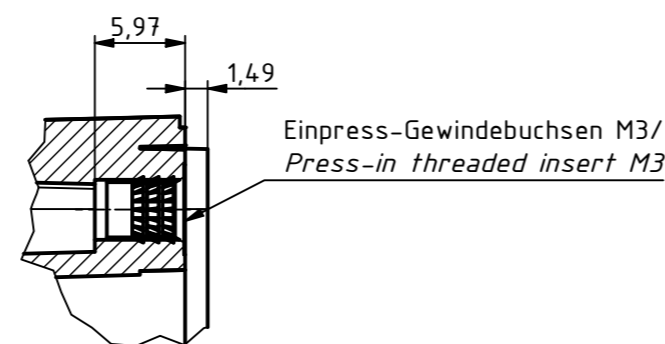


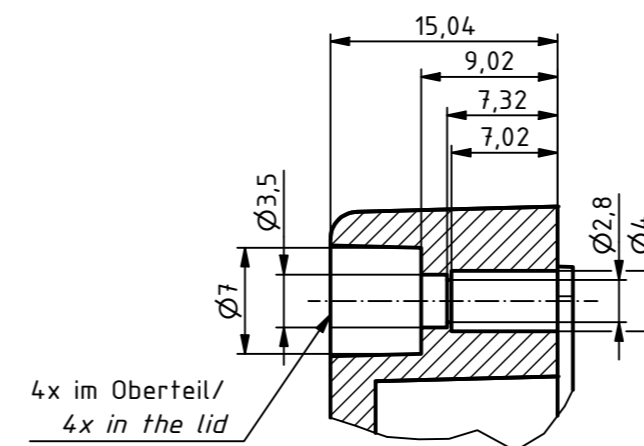
B →

C →

Z (2:1)



Y (2:1)



For Version with enclosed gasket
Protection class IP40. To achieve protection class IP65,
the enclosed gasket must be mounted correctly. The gasket must not be stretched or
compressed in the corners. Ends cut obliquely and glued, so that the cut ends
are pressed together by the spring pressure.

SPECIFICATION	
RND NUMBER	RND 455-01353
Distrelec NUMBER	303-75-299
RND BAR CODE NUMBER	0042764639799
Product text English	Enclosure ABS-PC GREY, transp. lid. IP65
Outer Dimensions	104.8 x 104.8 x 74.7mm
Inner dimension length	74.6 x 95.3 x 67.6mm
Material	ABS & Polycarbonate
Colour	light grey, similar to RAL 7035
Lid	Transparent
Wall brackets	N/A
Colour	light grey, similar to RAL 7035
Protection class	IP65 IK07