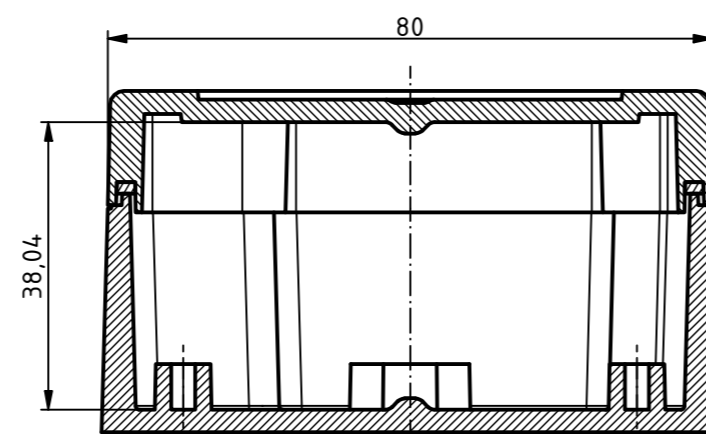
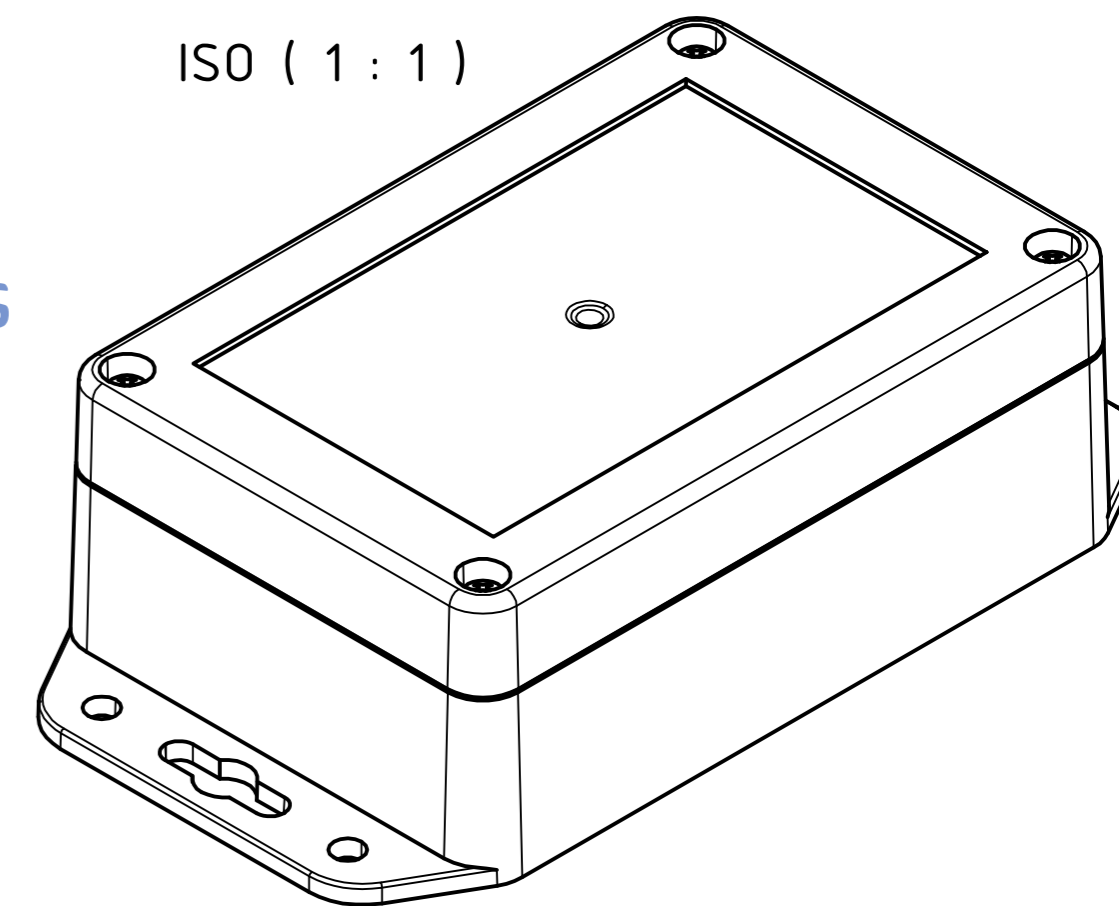


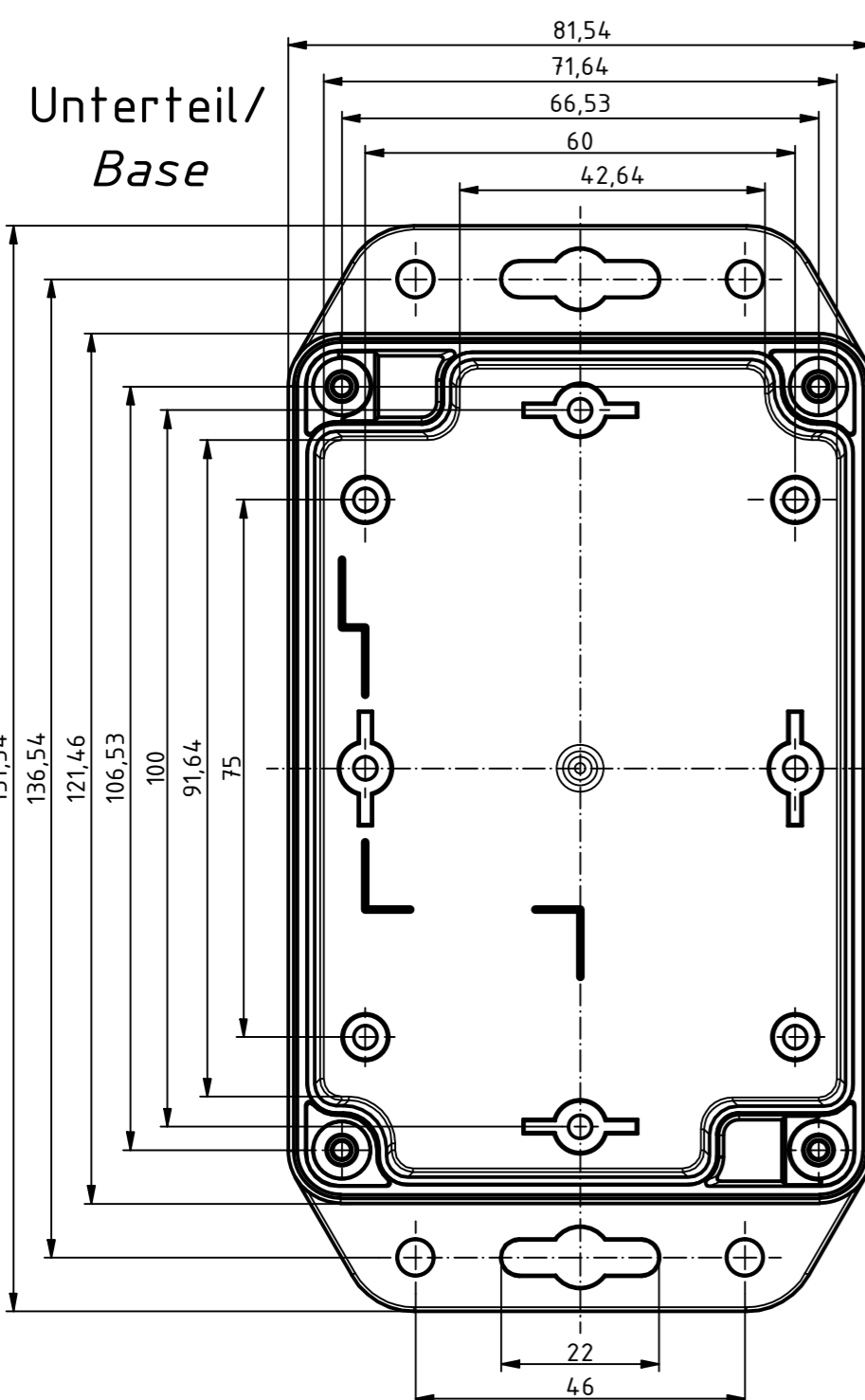
A-A (1:1)



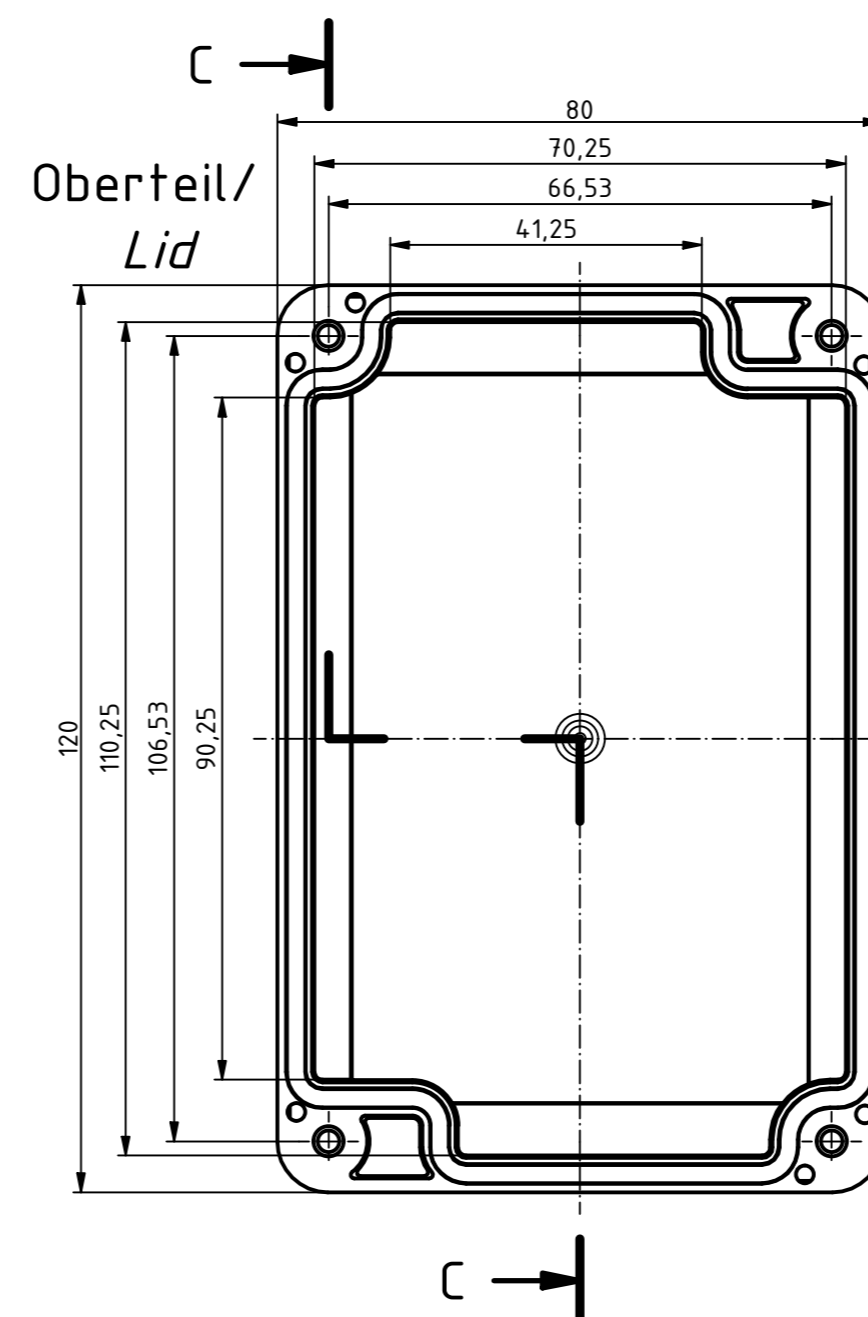
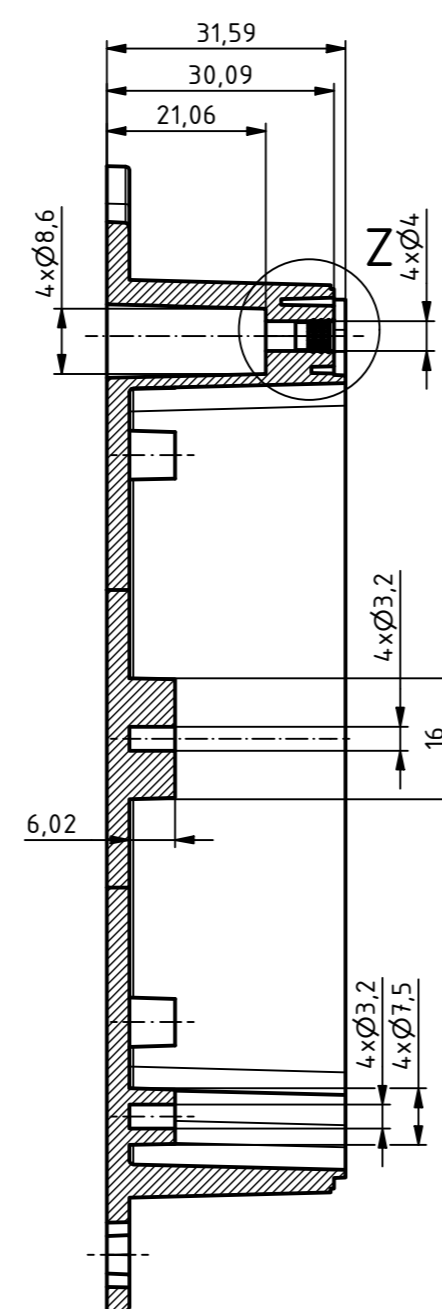
ISO (1:1)



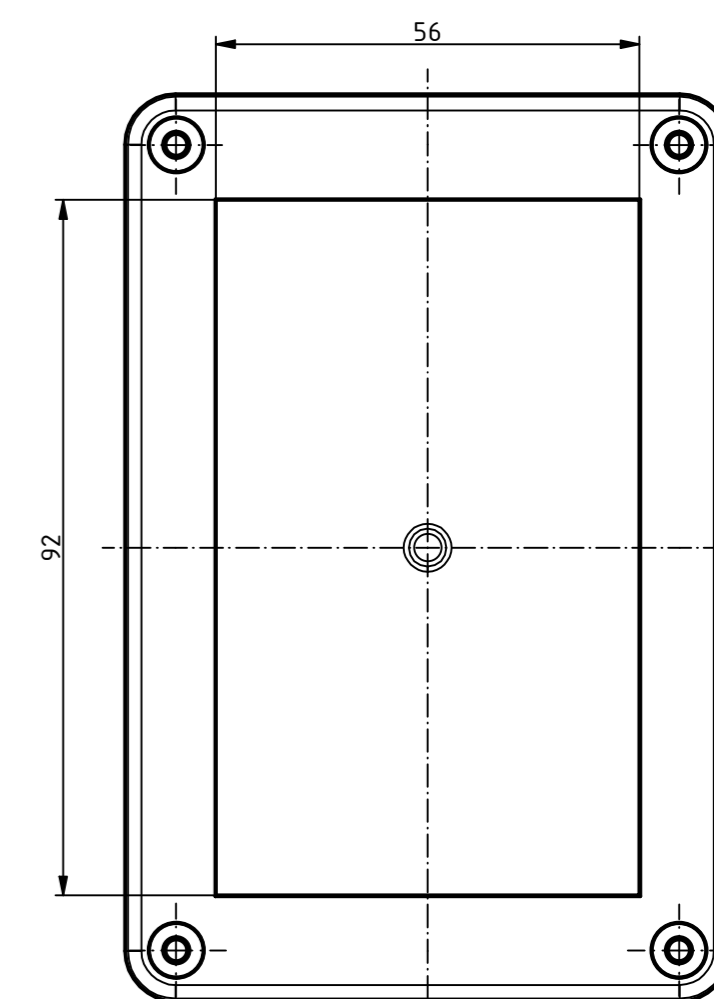
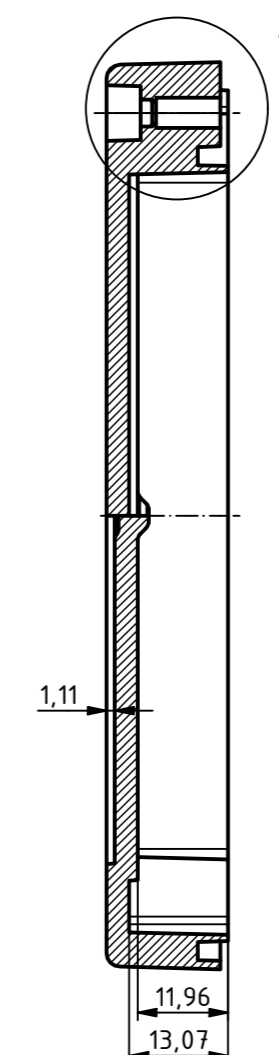
A →
B →



B-B (1:1)

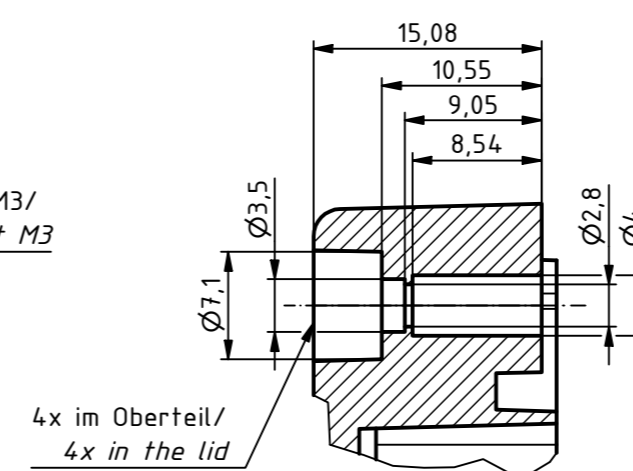
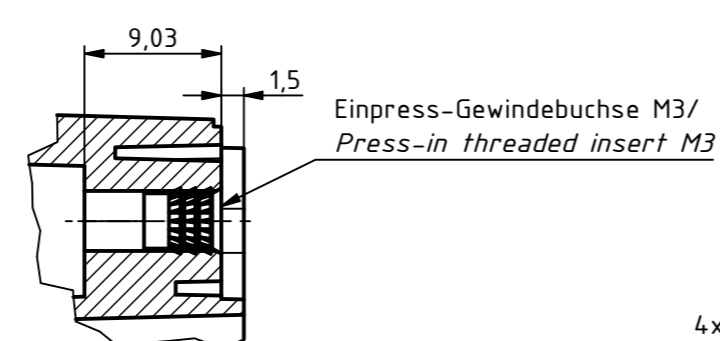


C-C (1:1)



Y (2:1)

Z (2:1)



4x im Oberteil/
4x in the lid

For Version with enclosed gasket
Protection class IP40. To achieve protection class IP65,
the enclosed gasket must be mounted correctly. The gasket must not be stretched or
compressed in the corners. Ends cut obliquely and glued, so that the cut ends
are pressed together by the spring pressure.

SPECIFICATION	
RND NUMBER	RND 455-01355
Distrelec NUMBER	303-75-301
RND BAR CODE NUMBER	0042764639812
Product text English	Enclosure PC WL GREY. IP66.68
Outer Dimensions	120 x 80 x 45.2mm
Inner dimension length	92.2 x 72.6 x 38mm
Material	Polycarbonate
Colour	light grey. similar to RAL 7035
Lid	N/A
Wall brackets	Yes
Colour	light grey. similar to RAL 7035
Protection class	IP66 IP68 IK07