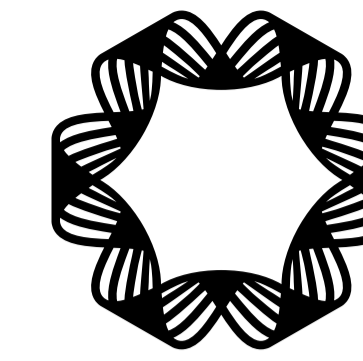
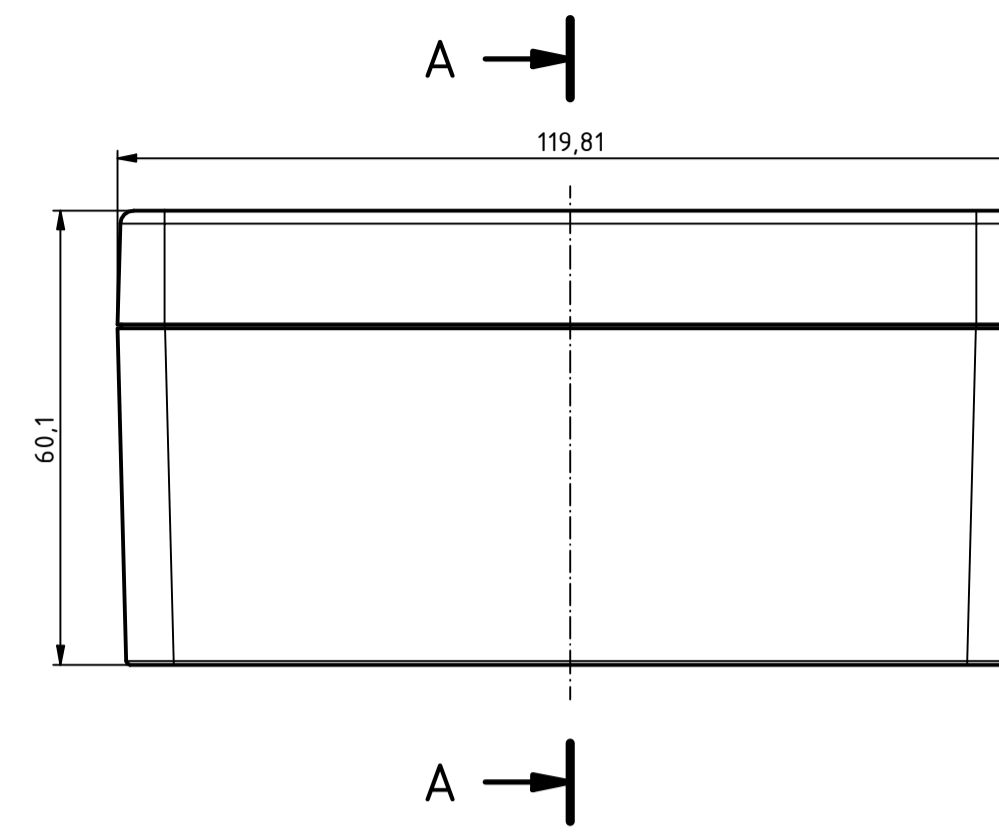
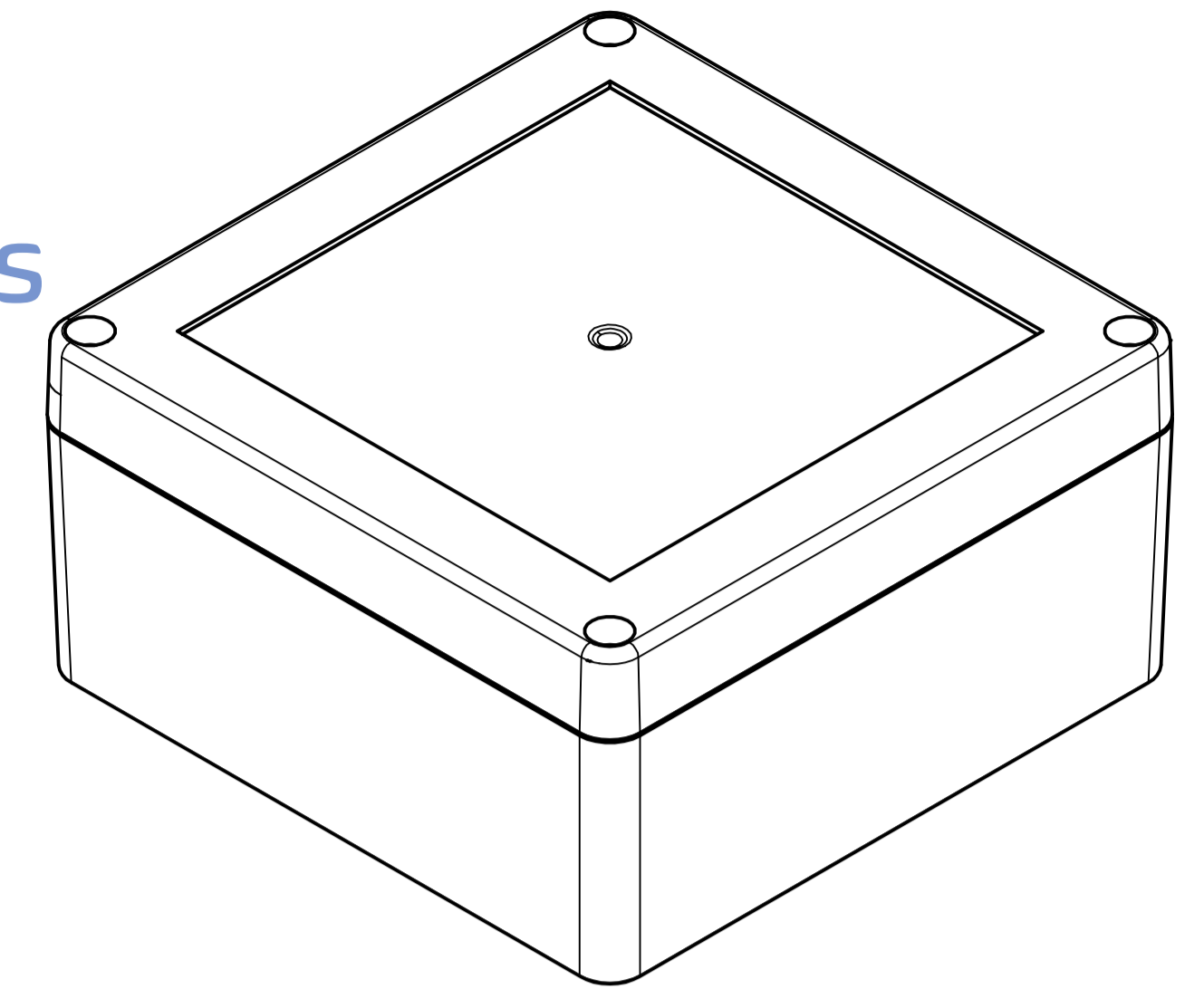


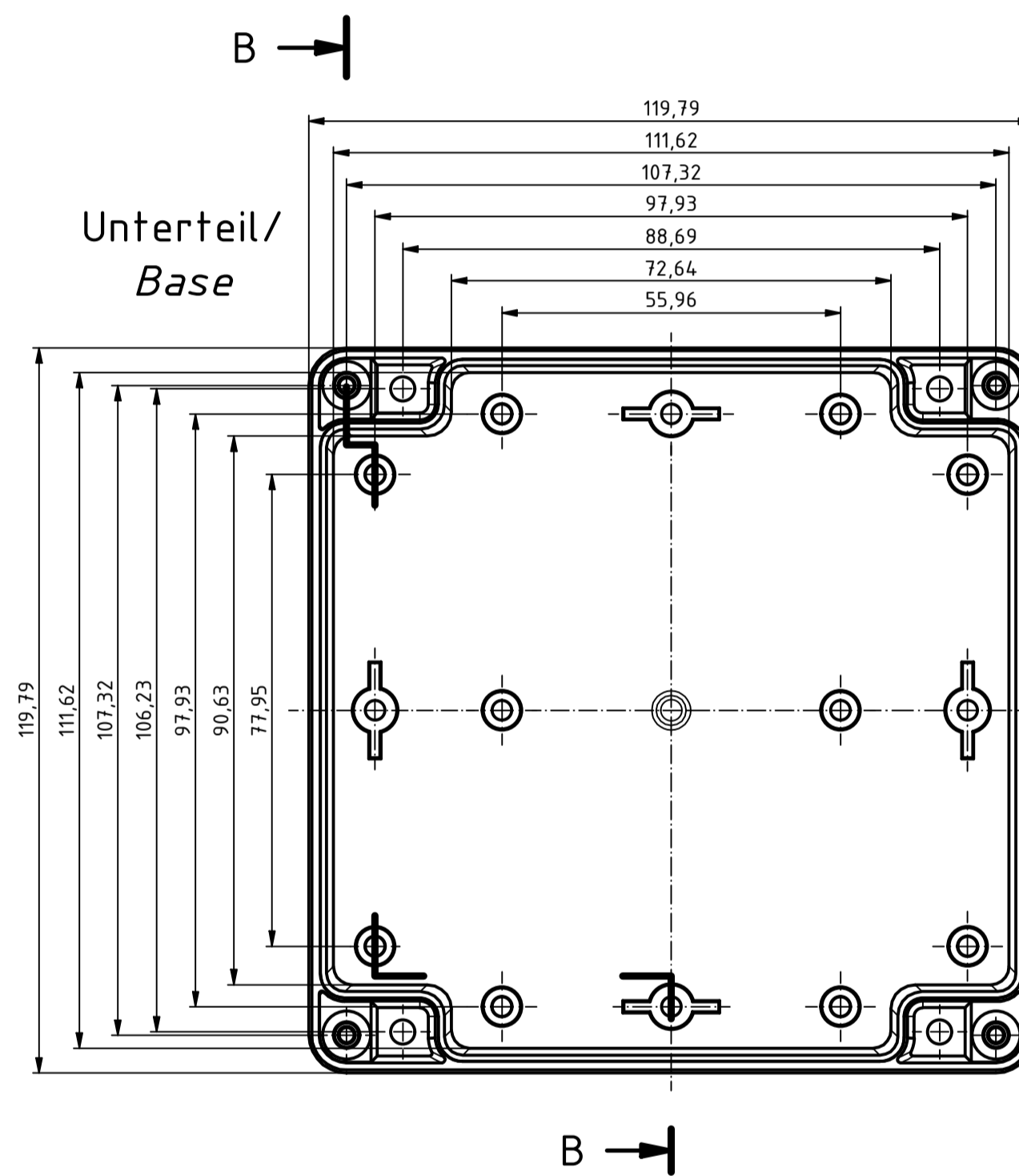
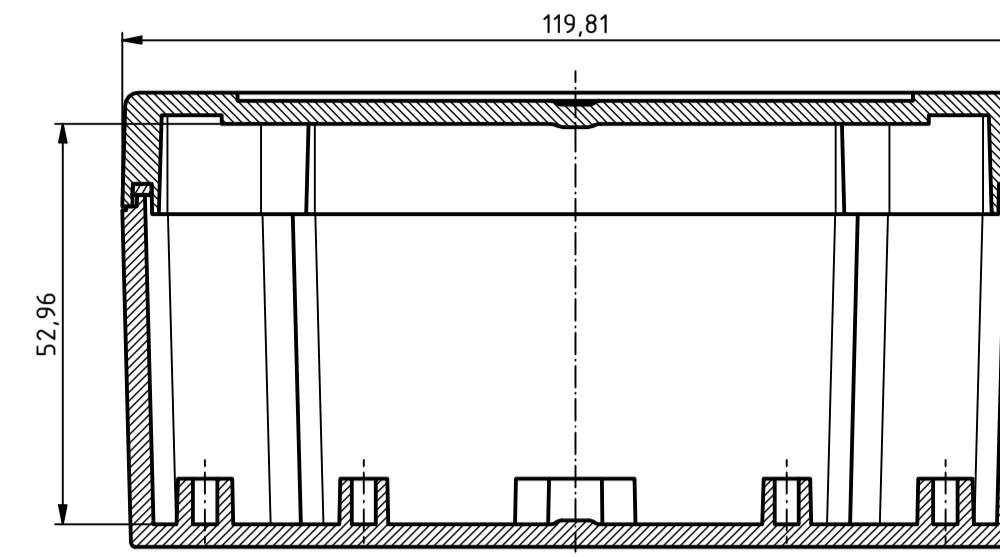
ISO (1 : 1)



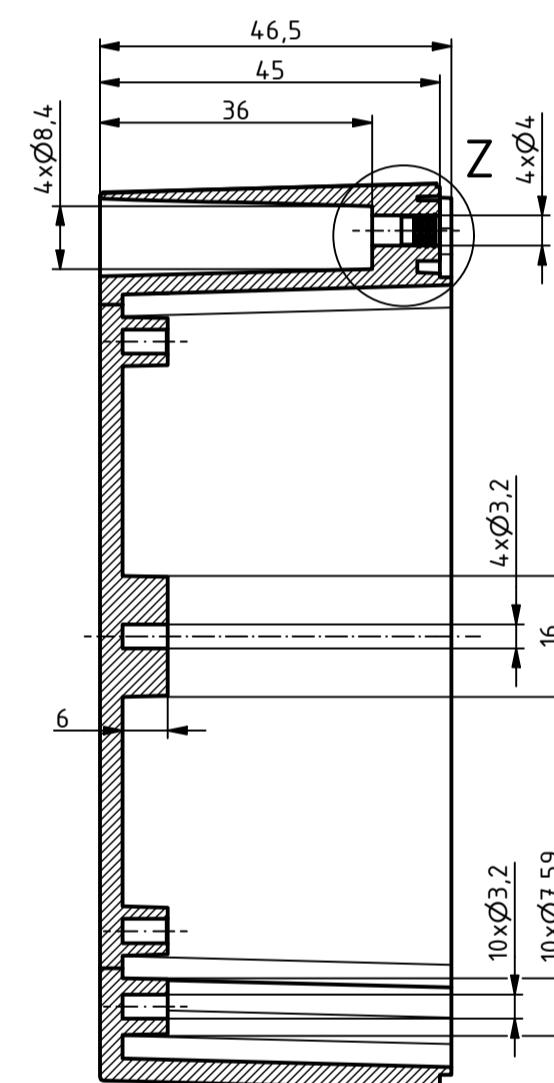
RND
components



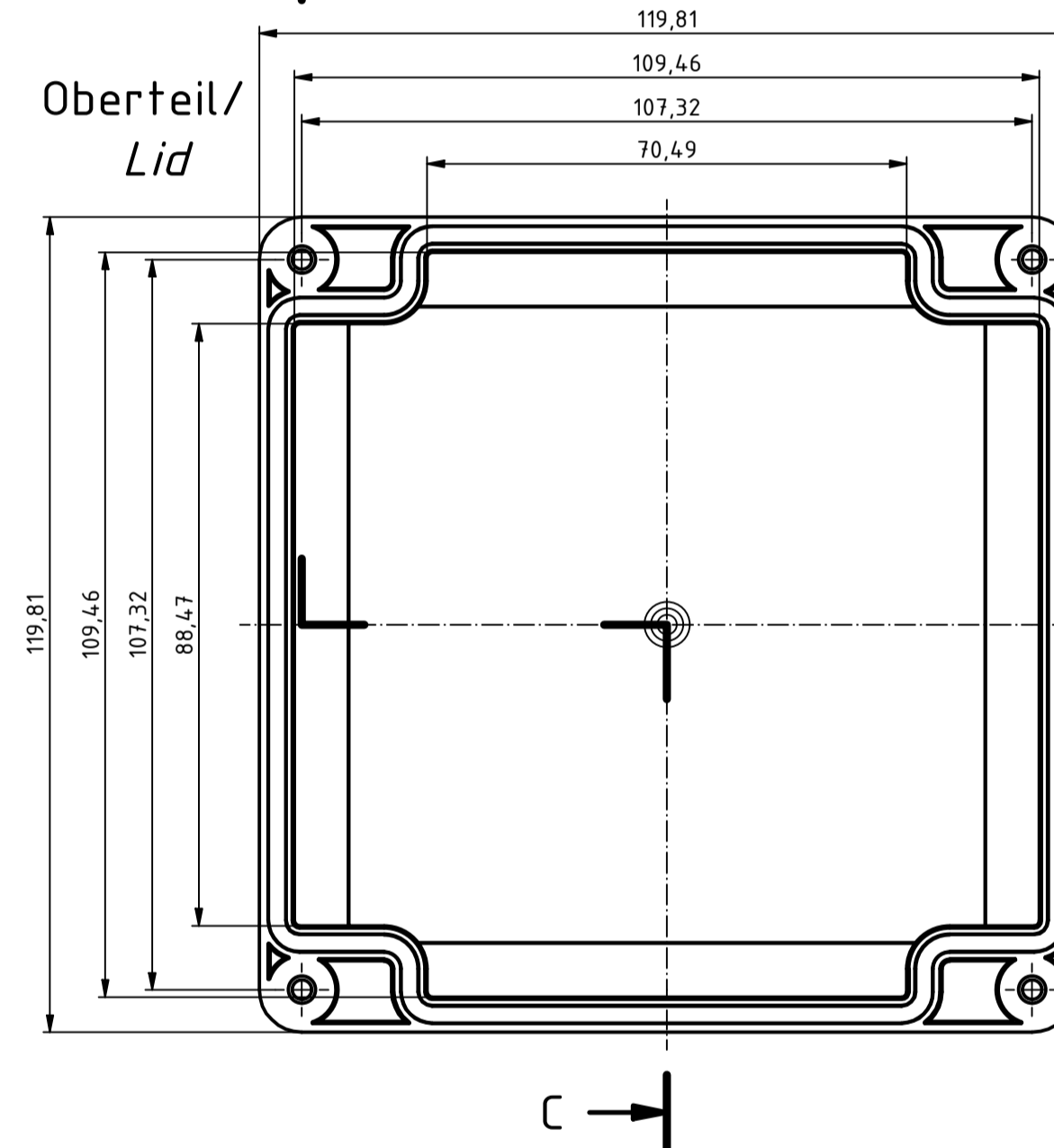
A-A (1 : 1)



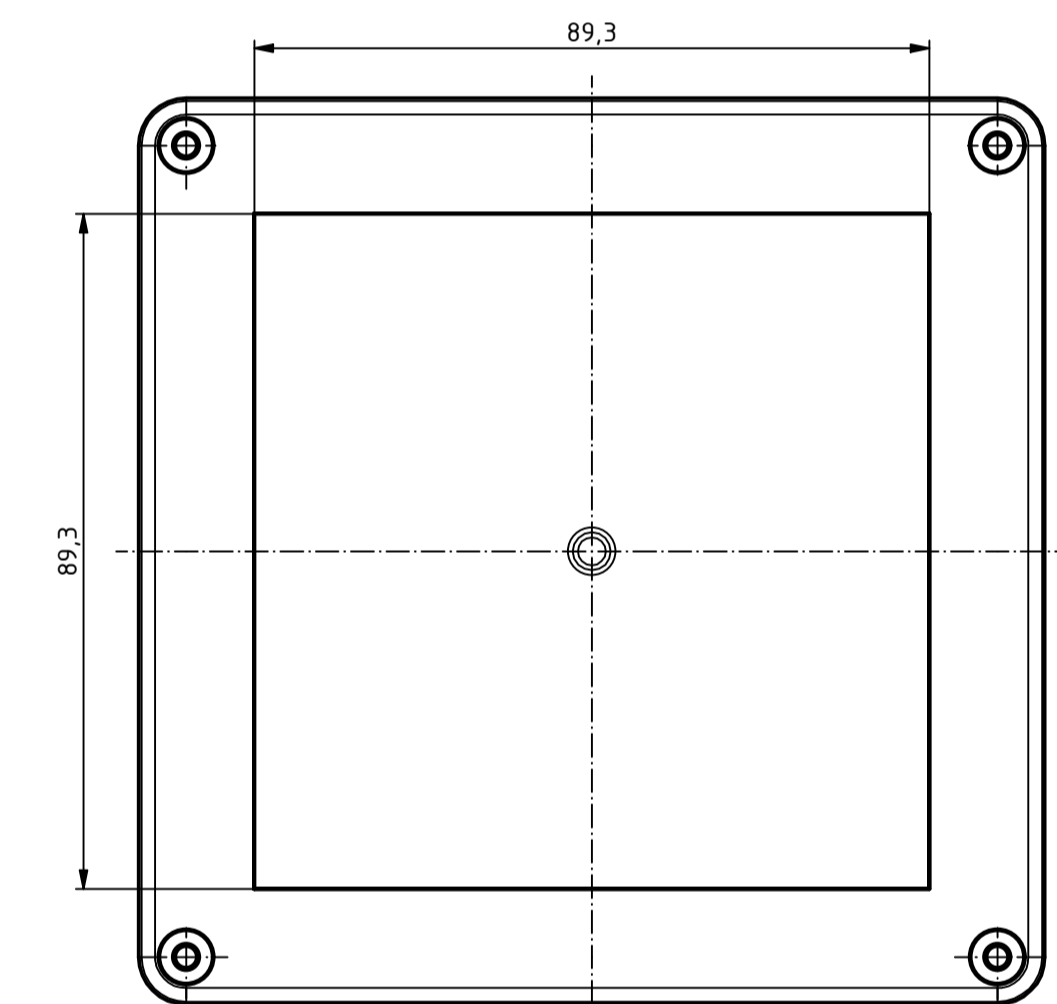
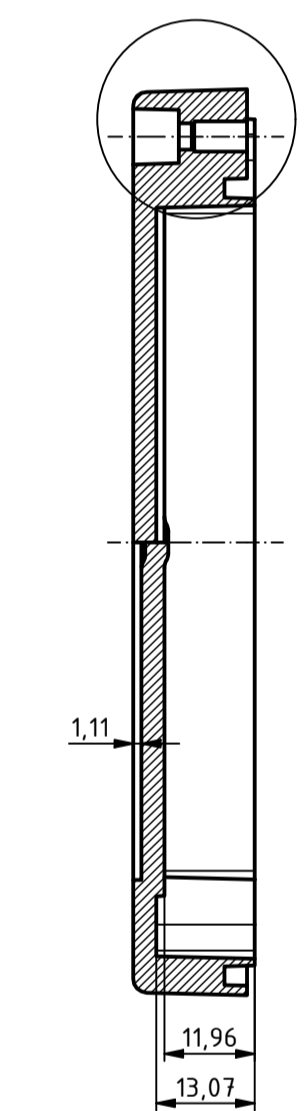
B-B (1 : 1)



Oberteil/
Lid

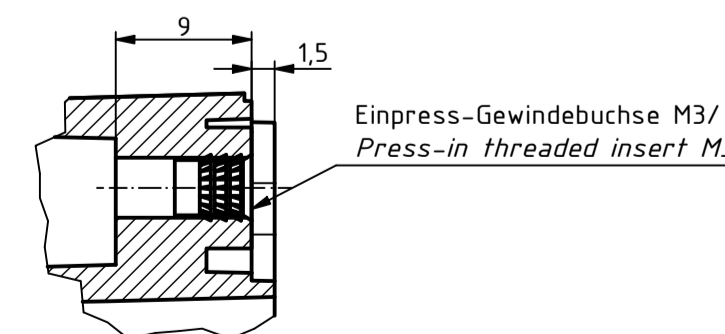


C-C (1 : 1)

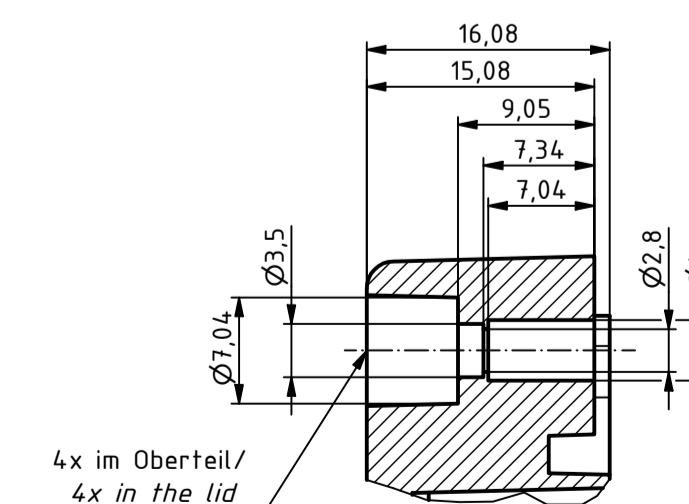


For Version with enclosed gasket
Protection class IP40. To achieve protection class IP65,
the enclosed gasket must be mounted correctly. The gasket must not be stretched
or compressed in the corners. Ends cut obliquely and glued, so that the cut ends
are pressed together by the spring pressure.

Z (2 : 1)



Y (2 : 1)



SPECIFICATION	
RND NUMBER	RND 455-01372
Distrelec NUMBER	303-75-316
RND BAR CODE NUMBER	0042764639966
Product text English	Enclosure ABS GREY. IP65
Outer Dimensions	119.8 x 119.8 x 60.1mm
Inner dimension length	111.62 x 90.63 x 52.96mm
Material	ABS
Colour	light grey. similar to RAL 7035
Lid	N/A
Wall brackets	N/A
Colour	light grey. similar to RAL 7035
Protection class	IP65 IK07