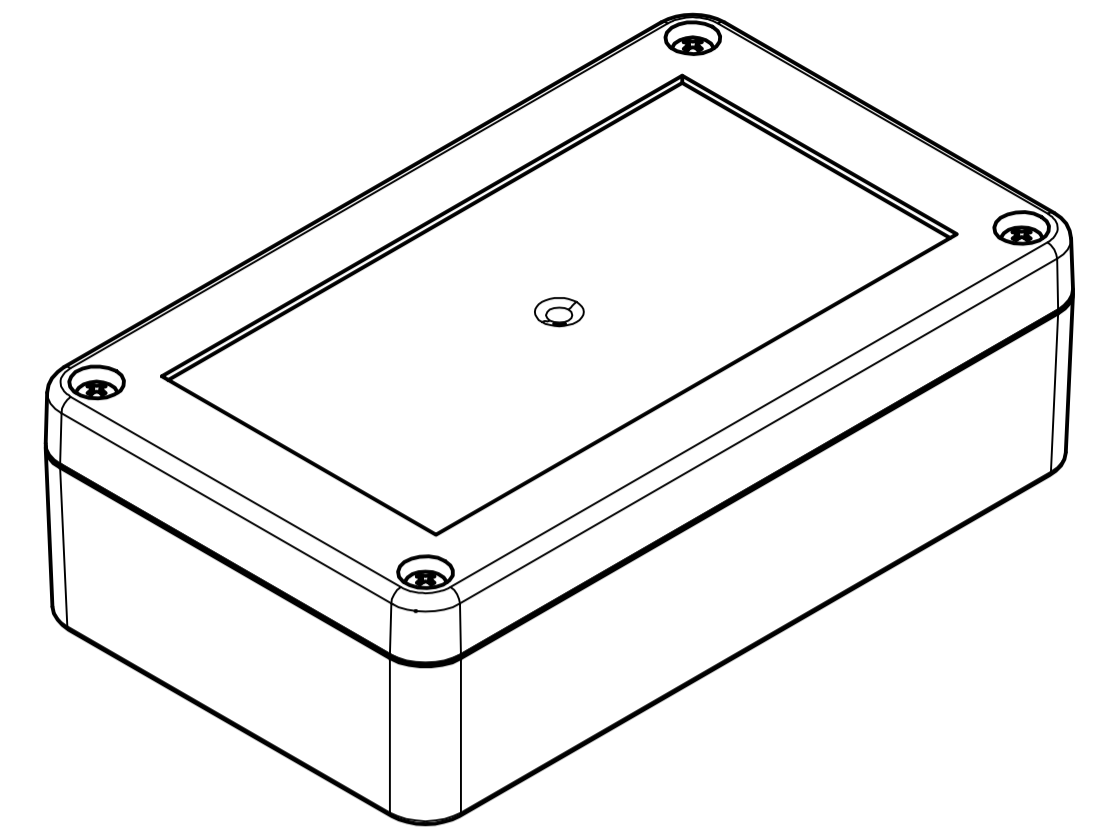
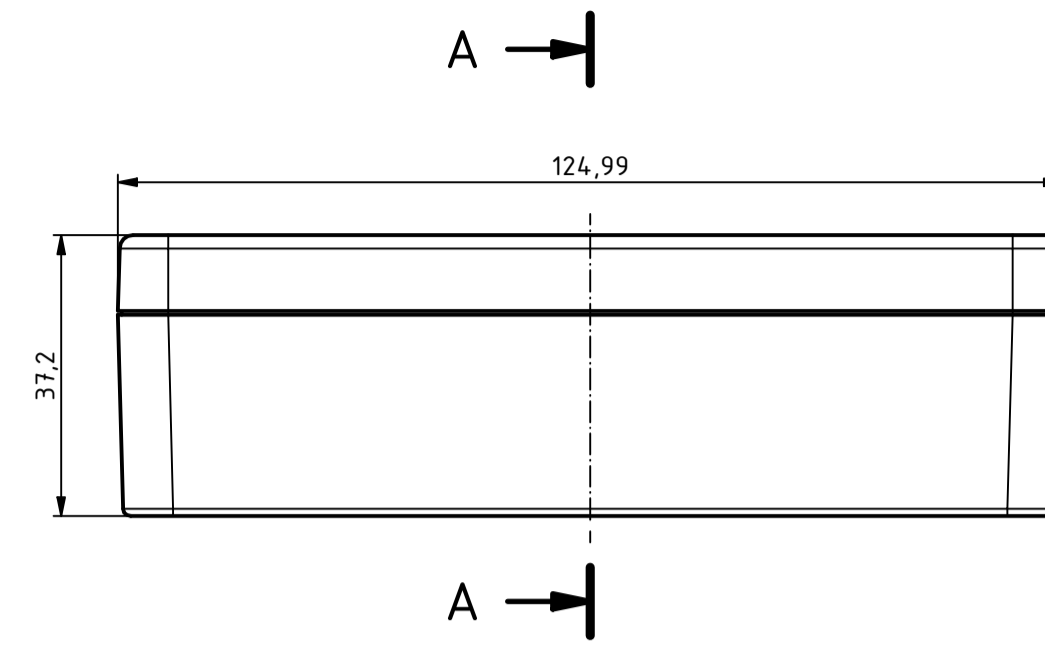
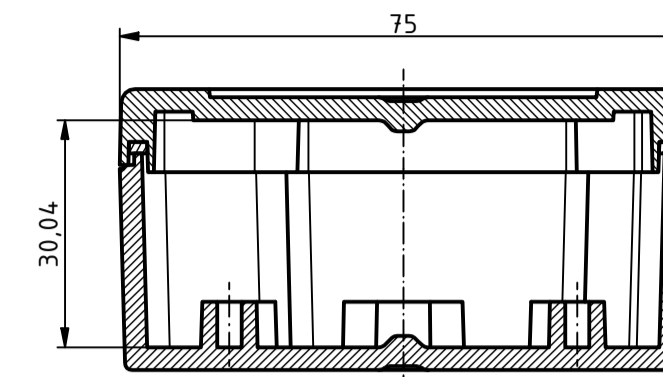


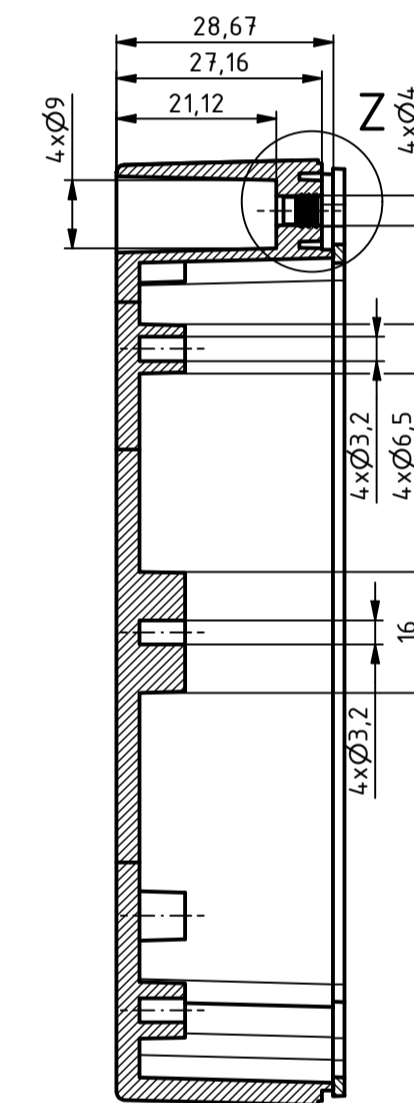
ISO (1 : 1)



A-A (1 : 1)

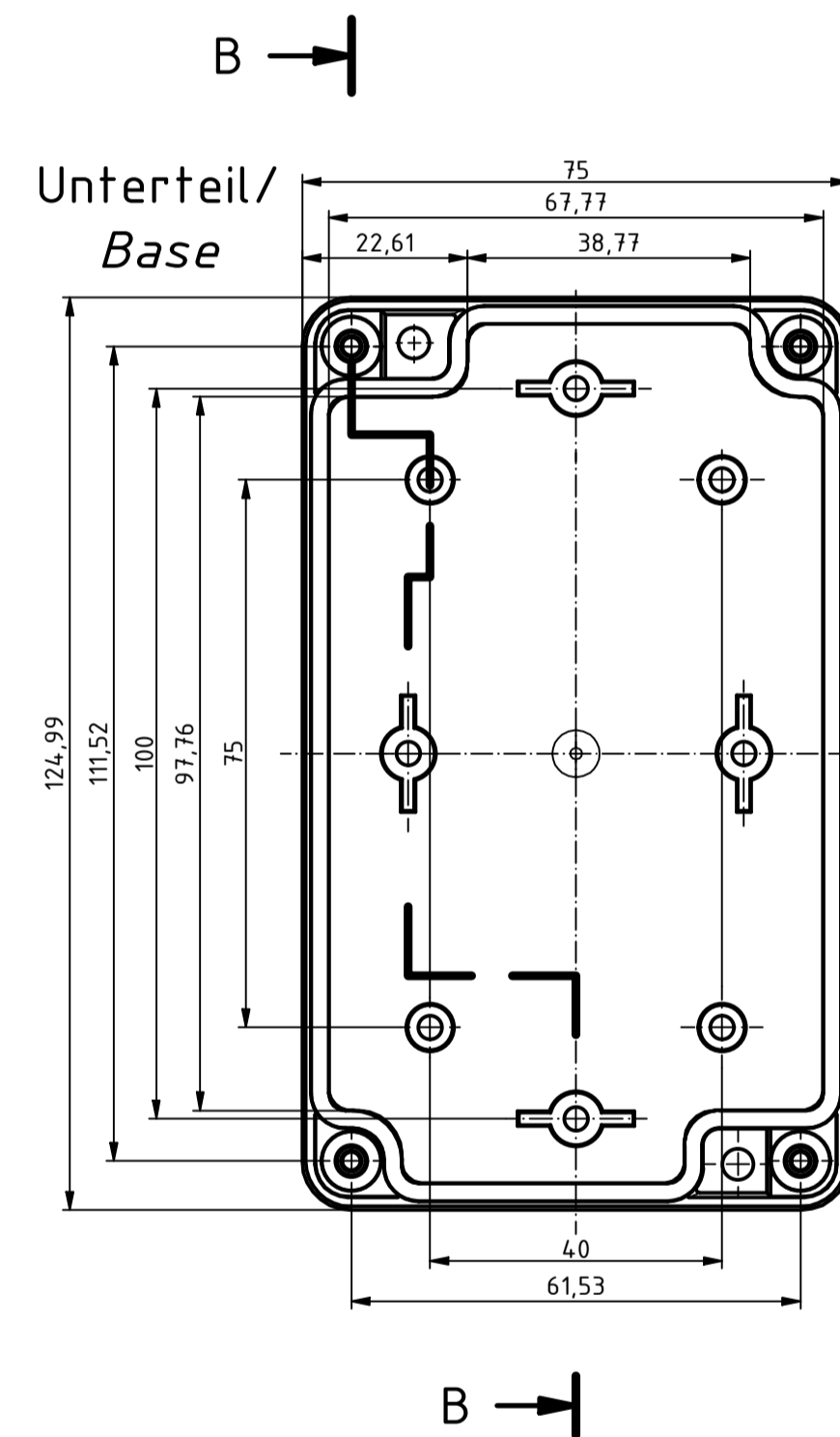
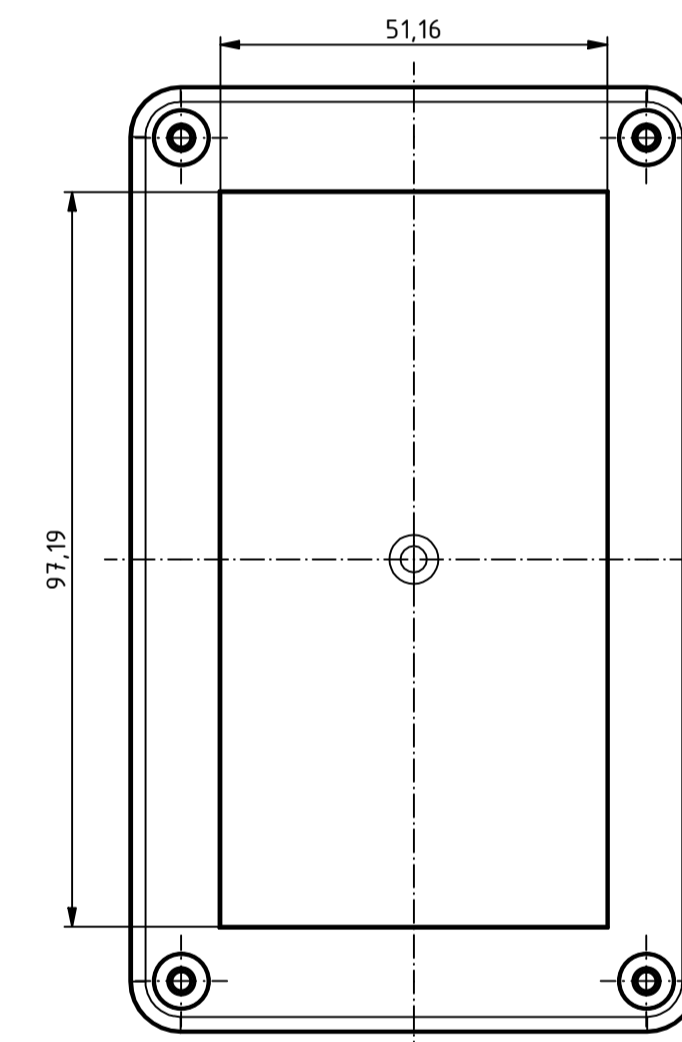
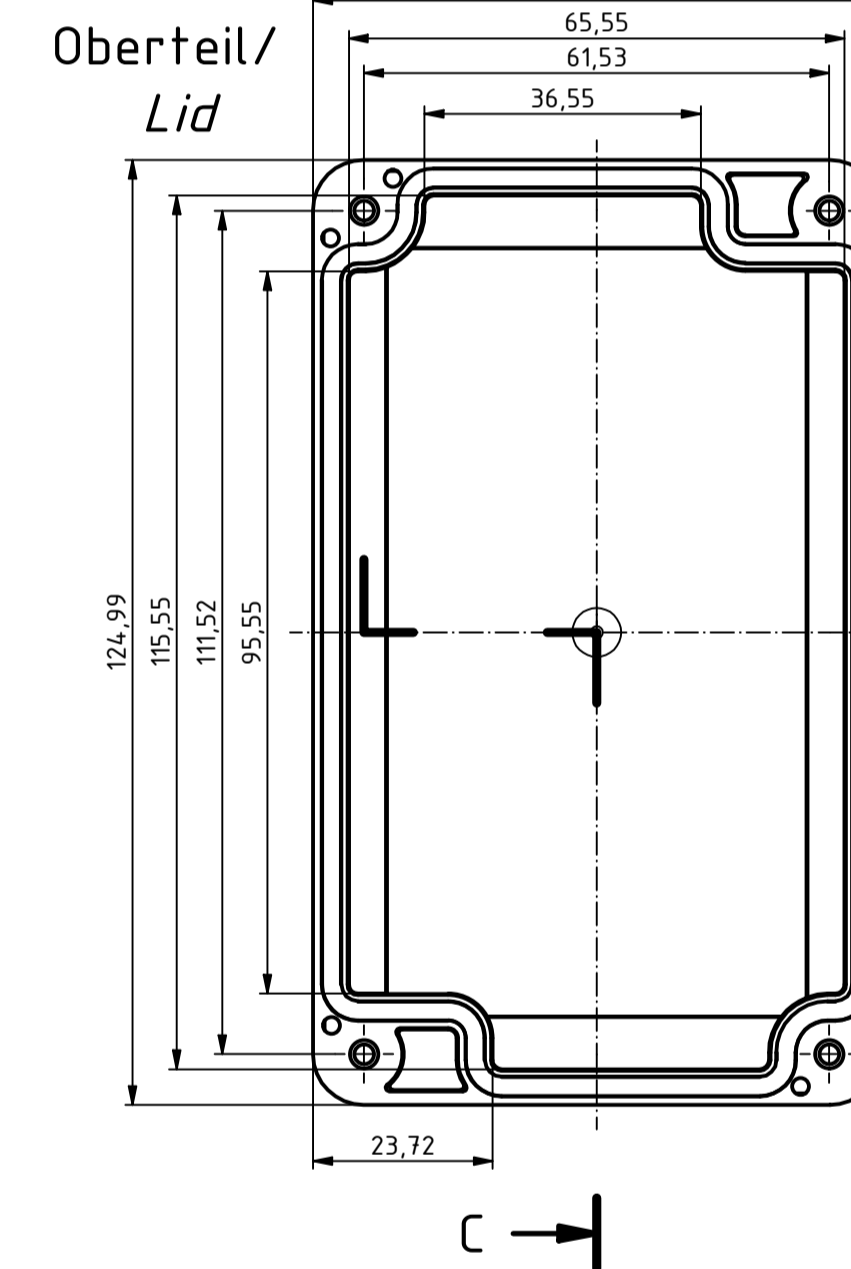
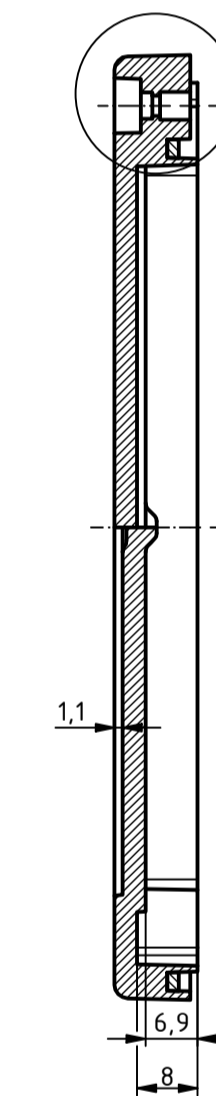


B-B (1 : 1)

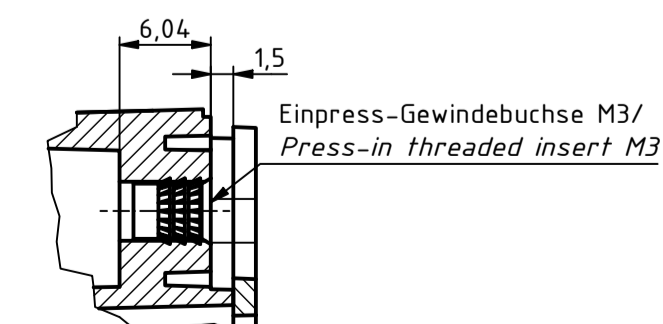


C-C (1 : 1)

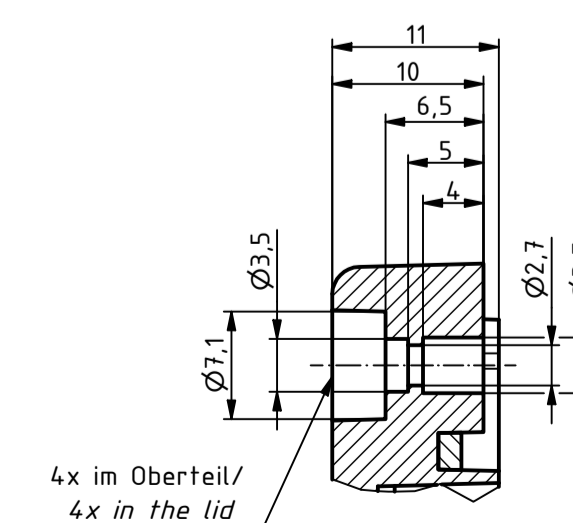
C-C (1 : 1)



Z (2 : 1)



Y (2 : 1)



For Version with enclosed gasket
 Protection class IP40. To achieve protection class IP65,
 the enclosed gasket must be mounted correctly. The gasket must not be stretched
 or compressed in the corners. Ends cut obliquely and glued, so that the cut ends
 are pressed together by the spring pressure.

SPECIFICATION	
RND NUMBER	RND 455-01377
Distrelec NUMBER	303-75-321
RND BAR CODE NUMBER	0653415230014
Product text English	Enclosure PC GREY. IP66.68
Outer Dimensions	125 x 75 x 37.2 mm
Inner dimension length	97.8 x 67.8 x 30mm
Material	Polycarbonate
Colour	light grey. similar to RAL 7035
Lid	N/A
Wall brackets	N/A
Colour	light grey. similar to RAL 7035
Protection class	IP66 IP68 IK07