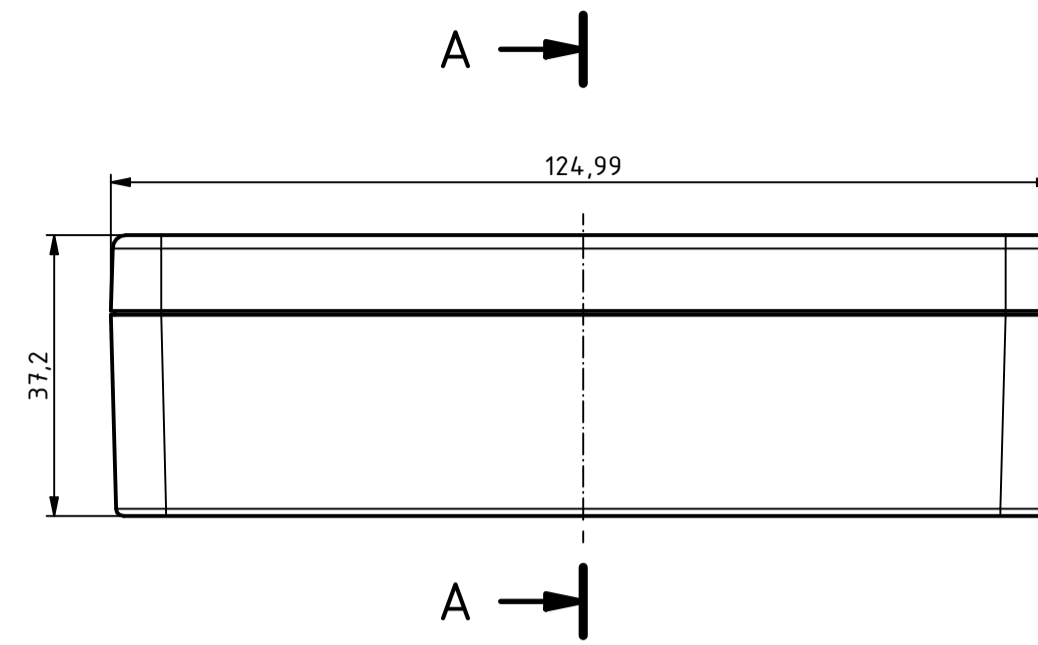
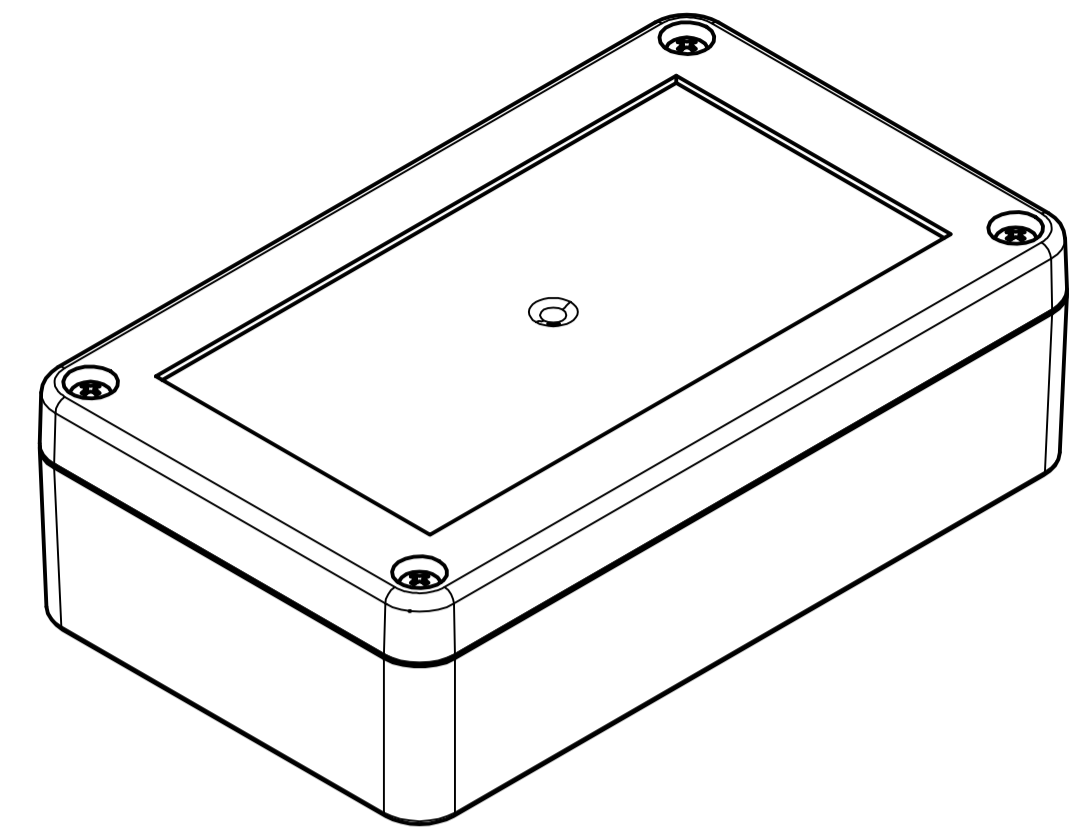
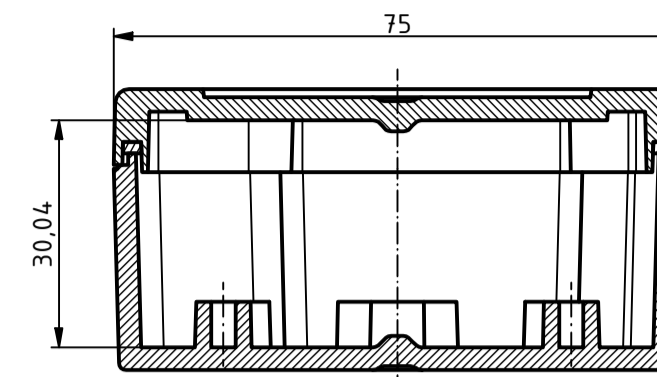


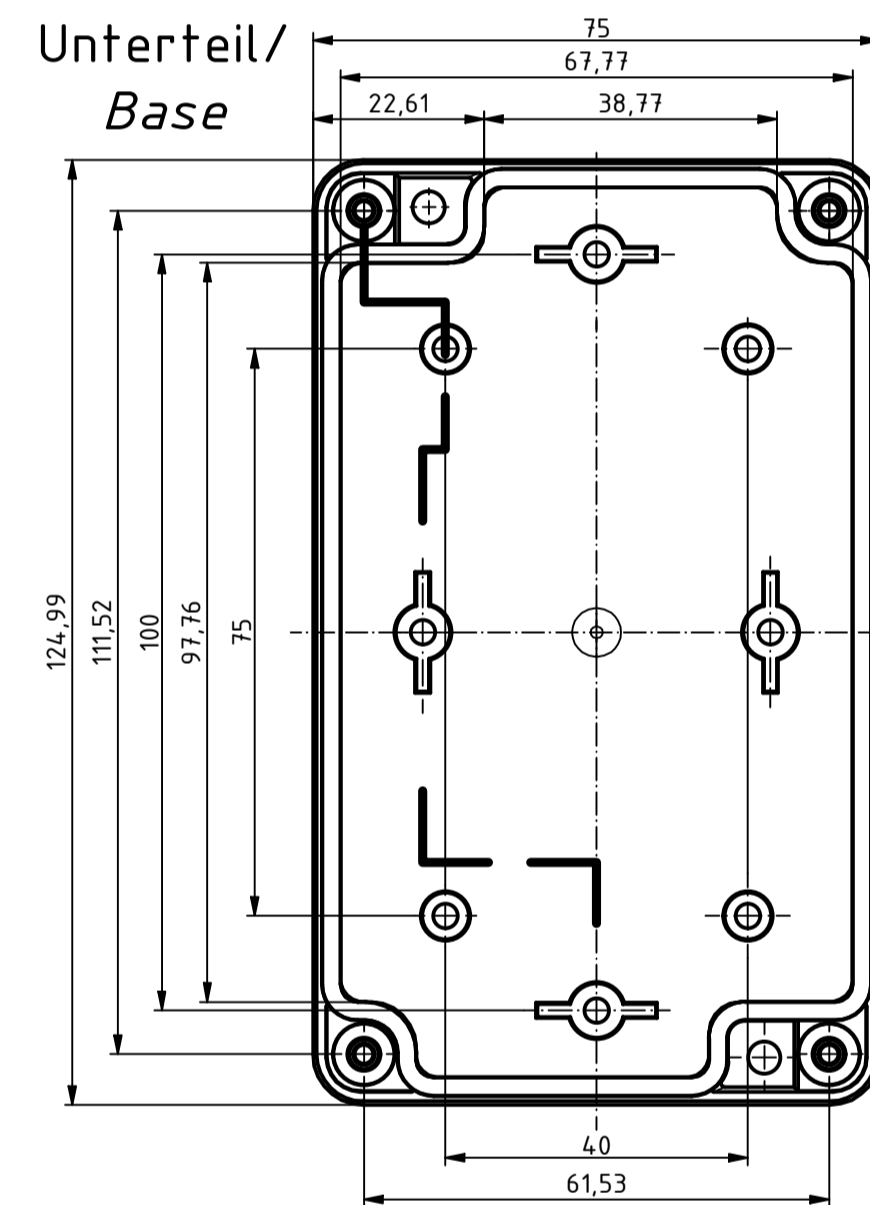
ISO (1 : 1)



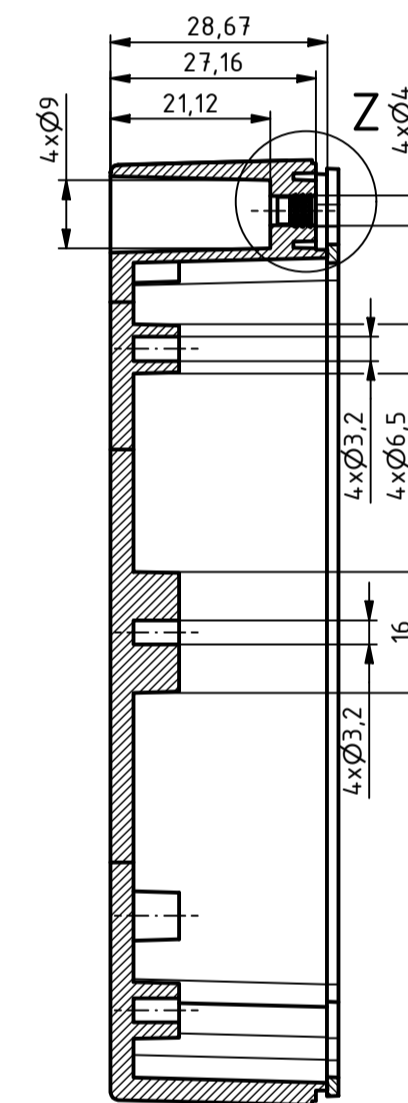
A-A (1 : 1)



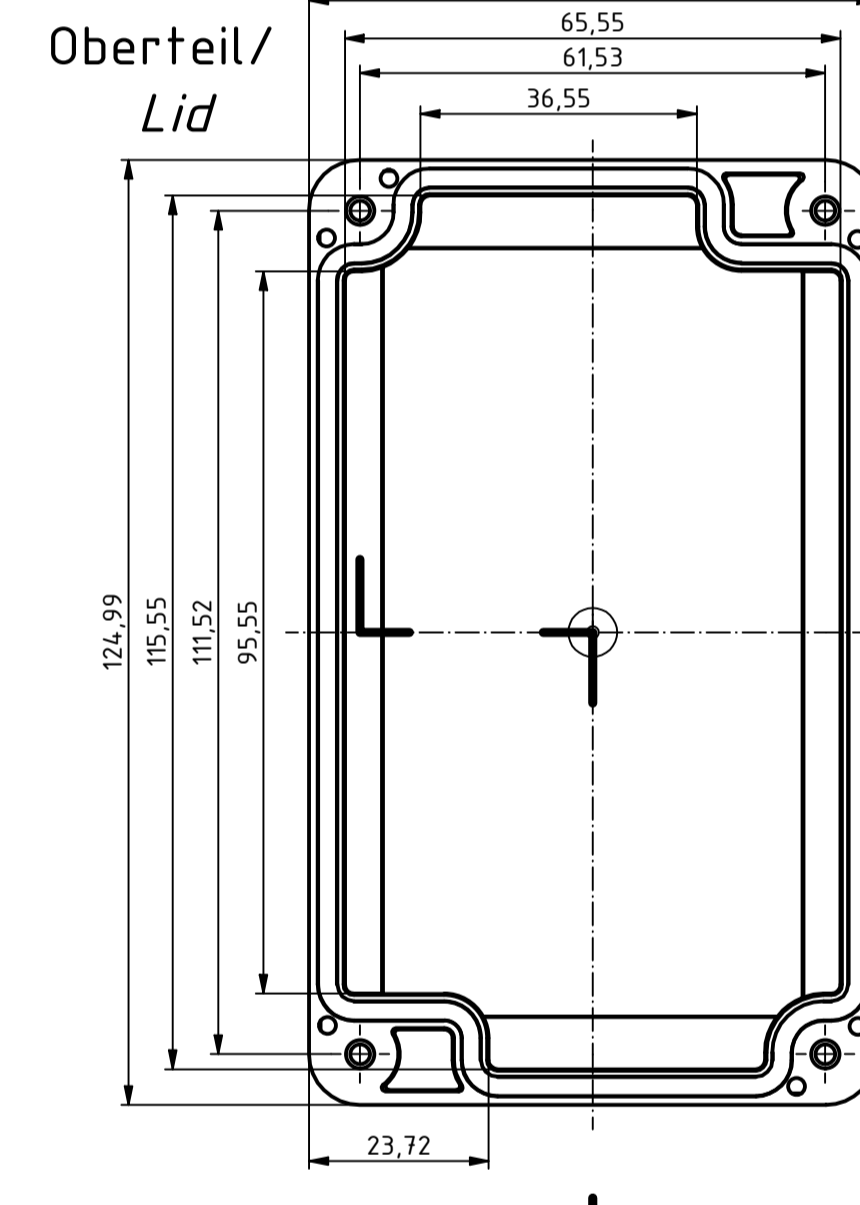
B →



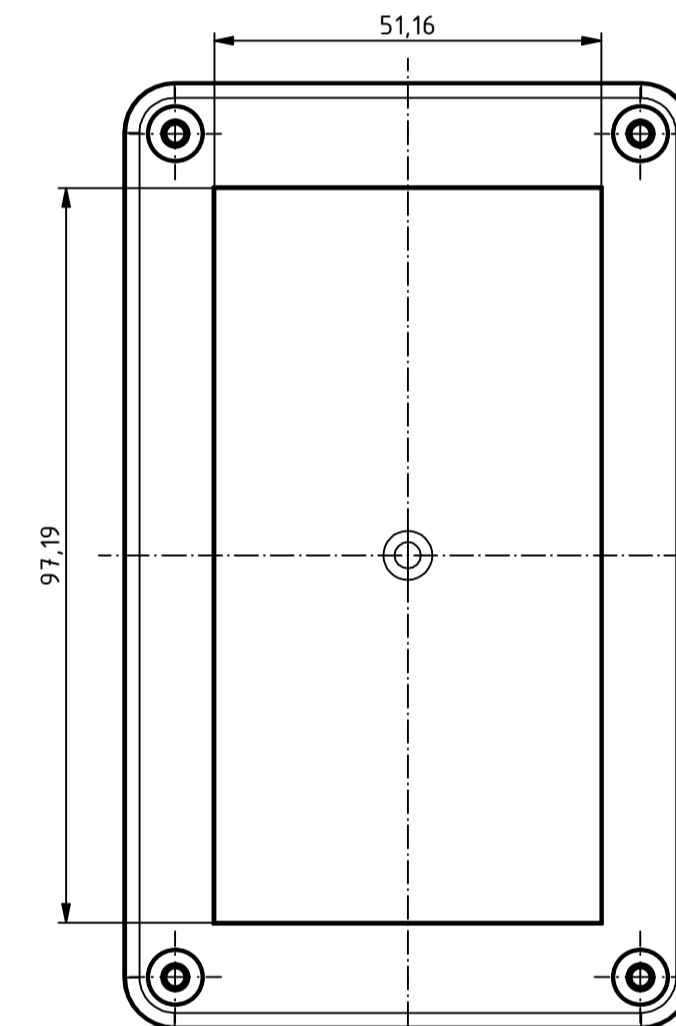
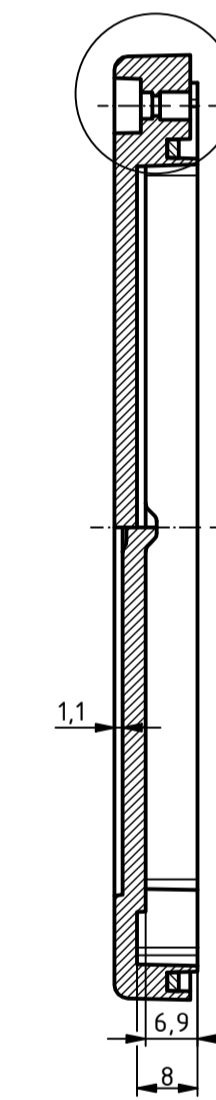
B-B (1 : 1)



C →



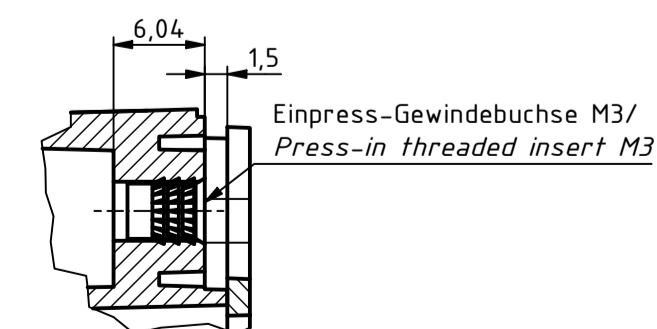
C-C (1 : 1)



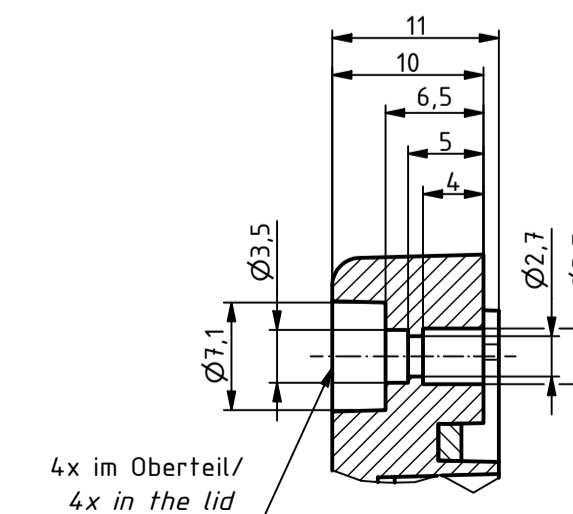
B →

C →

Z (2 : 1)



Y (2 : 1)



For Version with enclosed gasket
Protection class IP40. To achieve protection class IP65,
the enclosed gasket must be mounted correctly. The gasket must not be stretched
or compressed in the corners. Ends cut obliquely and glued, so that the cut ends
are pressed together by the spring pressure.

| SPECIFICATION | |
|------------------------|--|
| RND NUMBER | RND 455-01378 |
| Distrelec NUMBER | 303-75-322 |
| RND BAR CODE NUMBER | 0653415230021 |
| Product text English | Enclosure PC GREY. transp. lid. IP66.68 |
| Outer Dimensions | 125 x 75 x 37.2 mm |
| Inner dimension length | 97.8 x 67.8 x 30mm |
| Material | Polycarbonate |
| Colour | light grey. similar to RAL 7035 |
| Lid | Transparent |
| Wall brackets | N/A |
| Colour | light grey. similar to RAL 7035 |
| Protection class | IP66 IP68 IK07 |