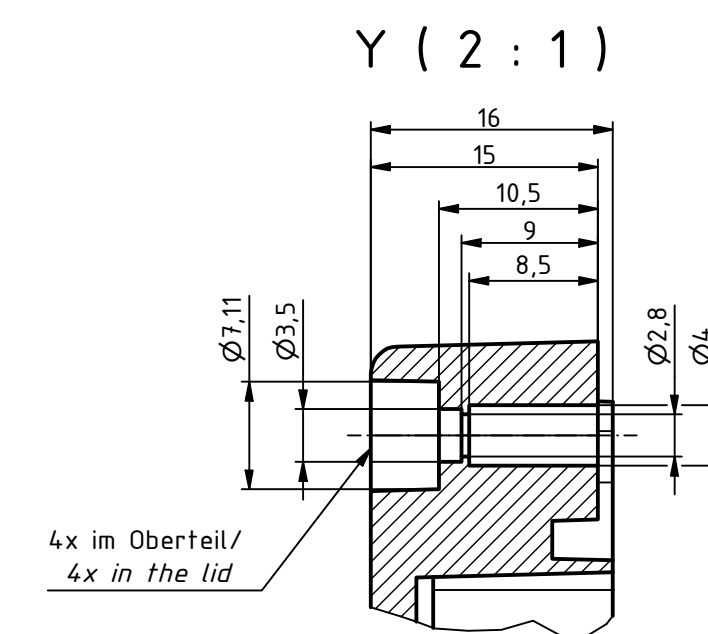
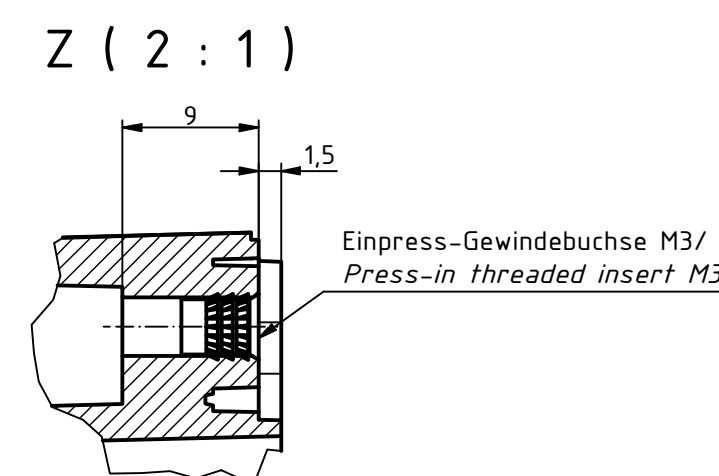
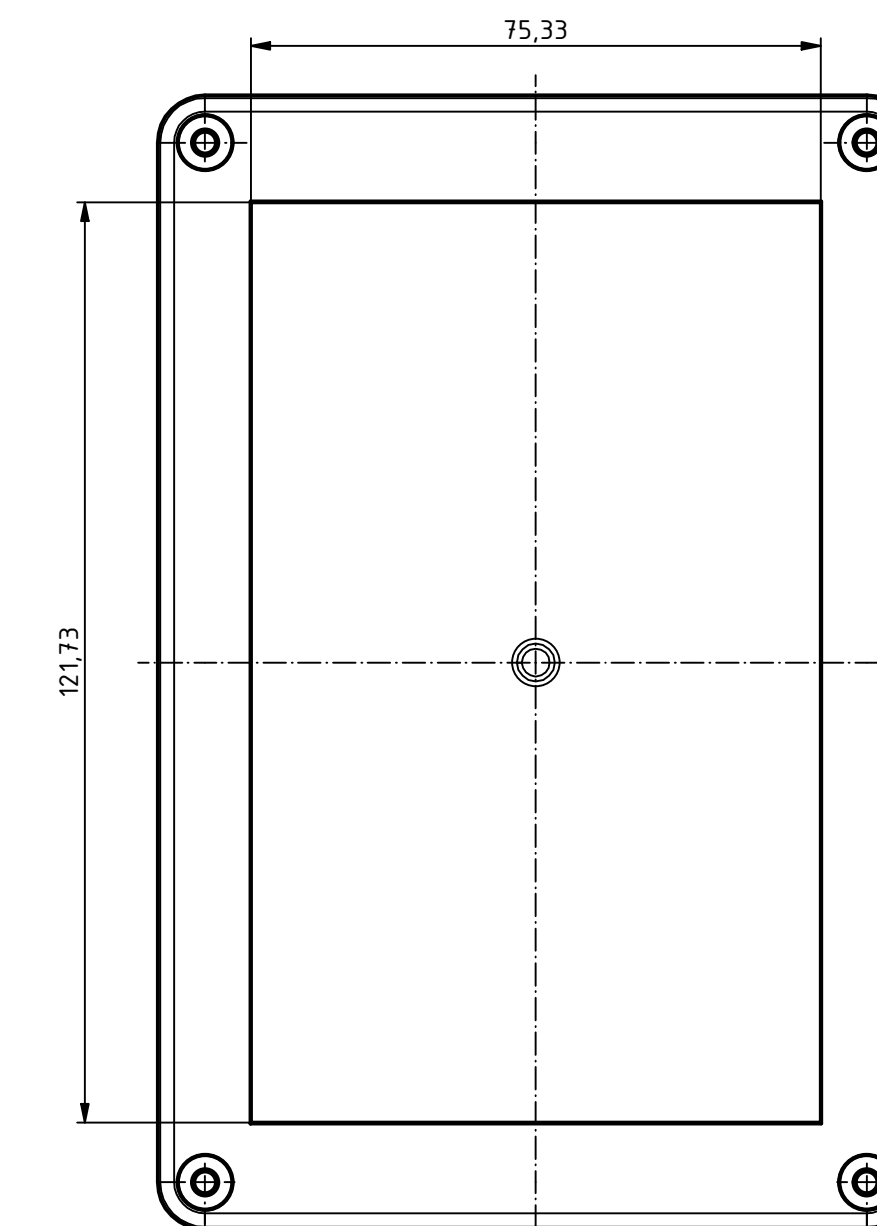
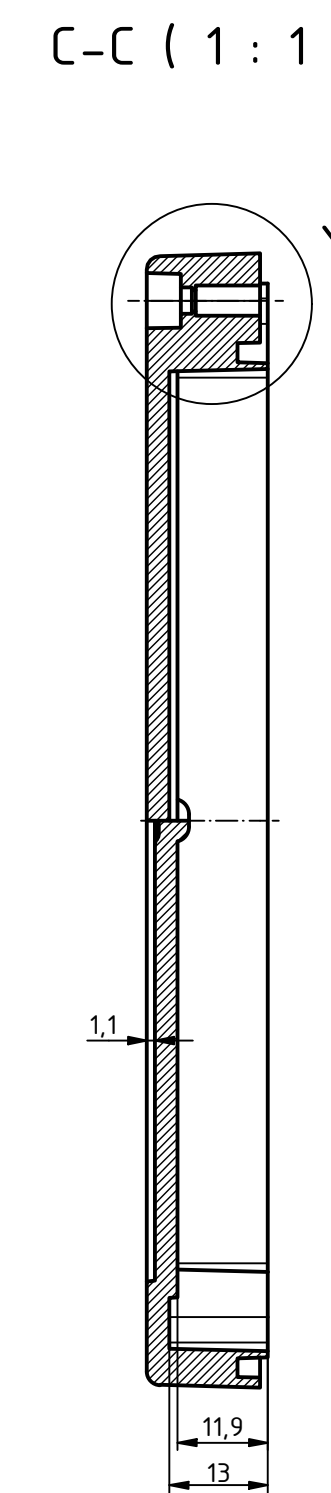
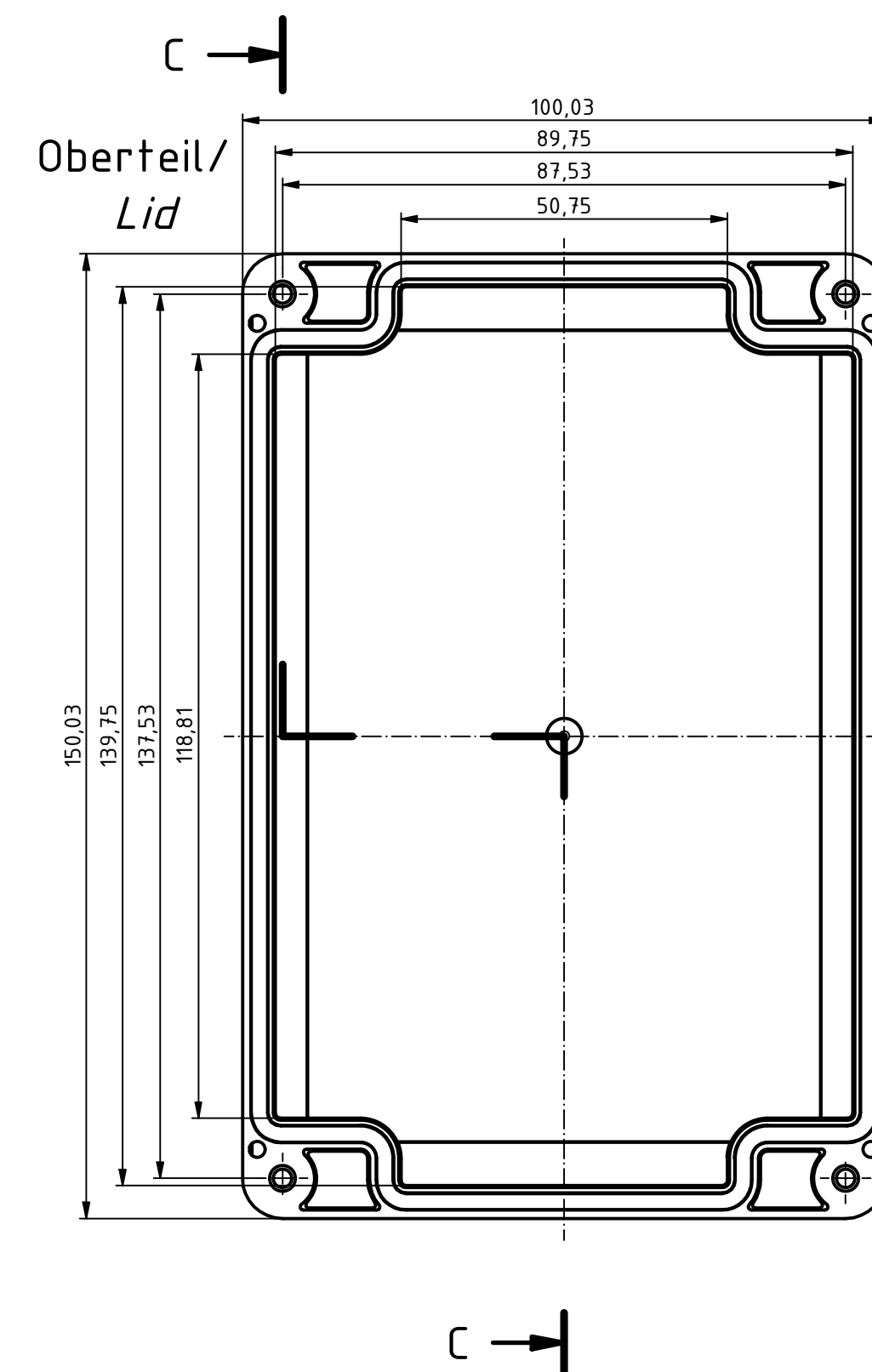
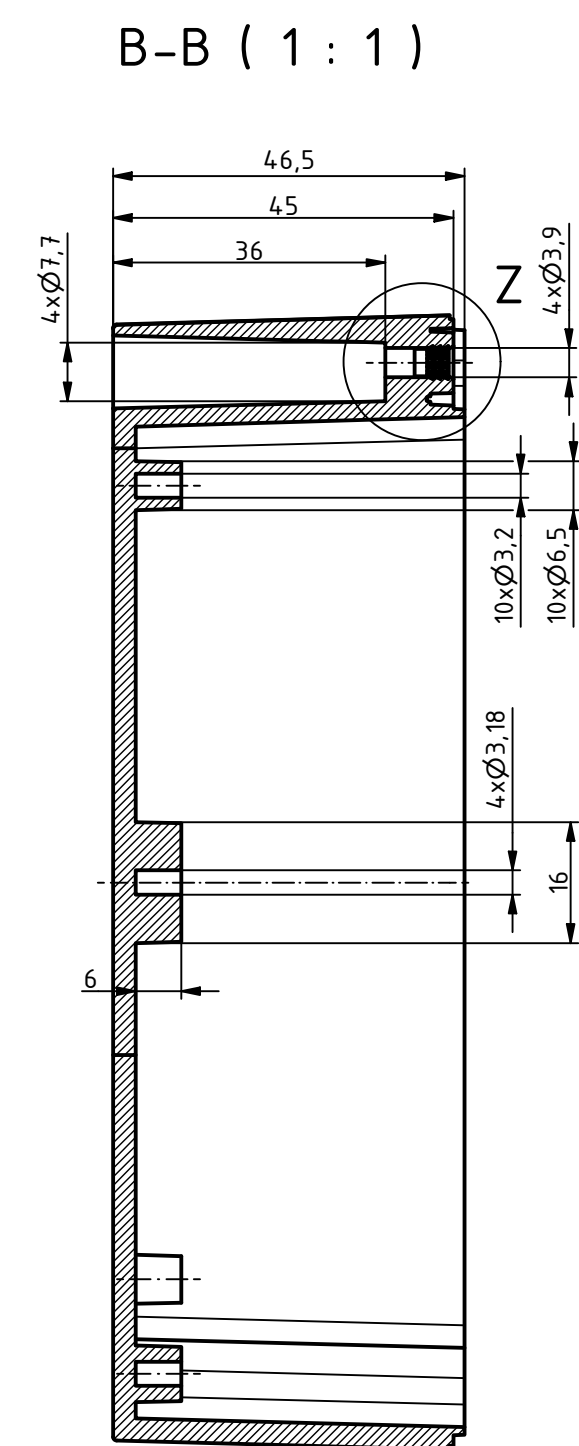
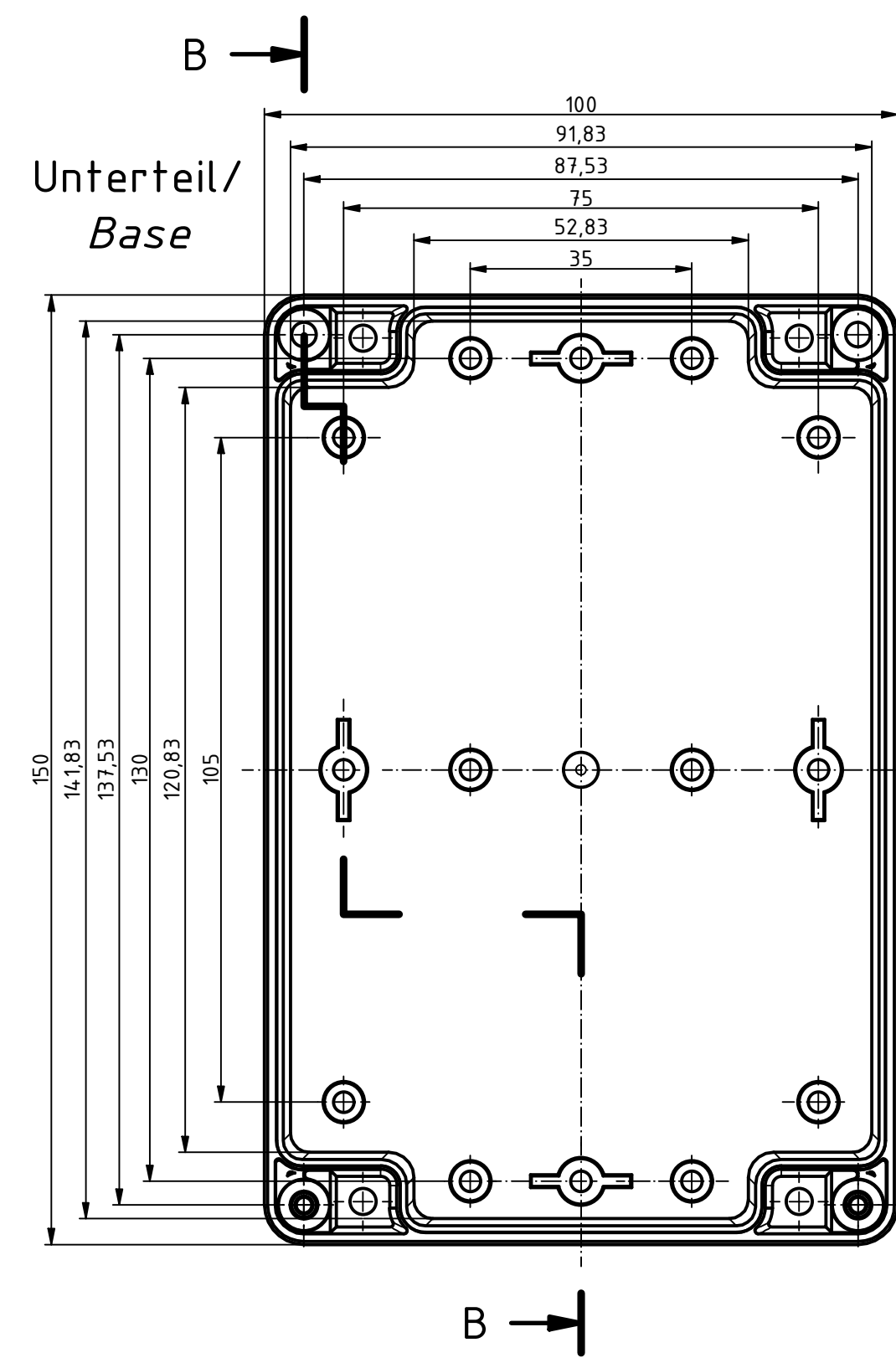
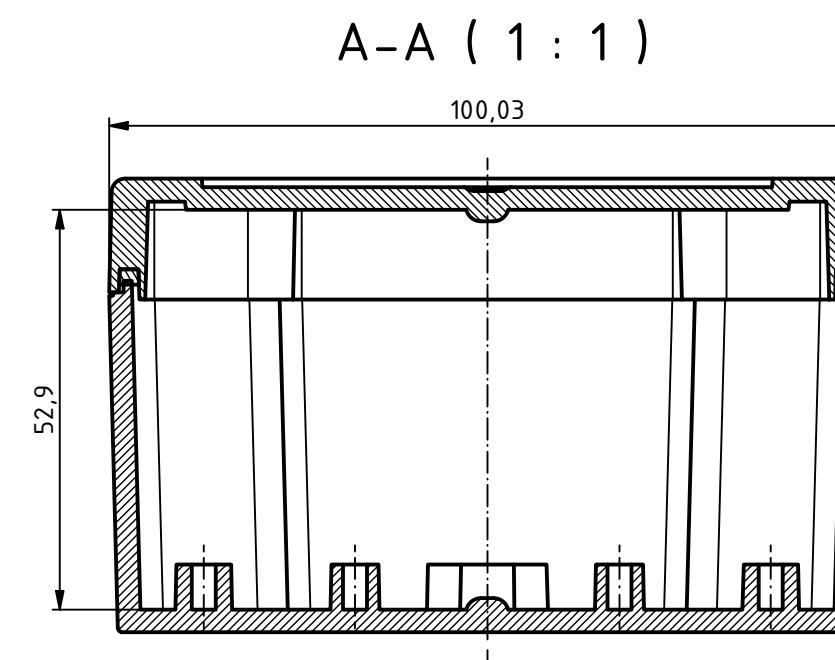
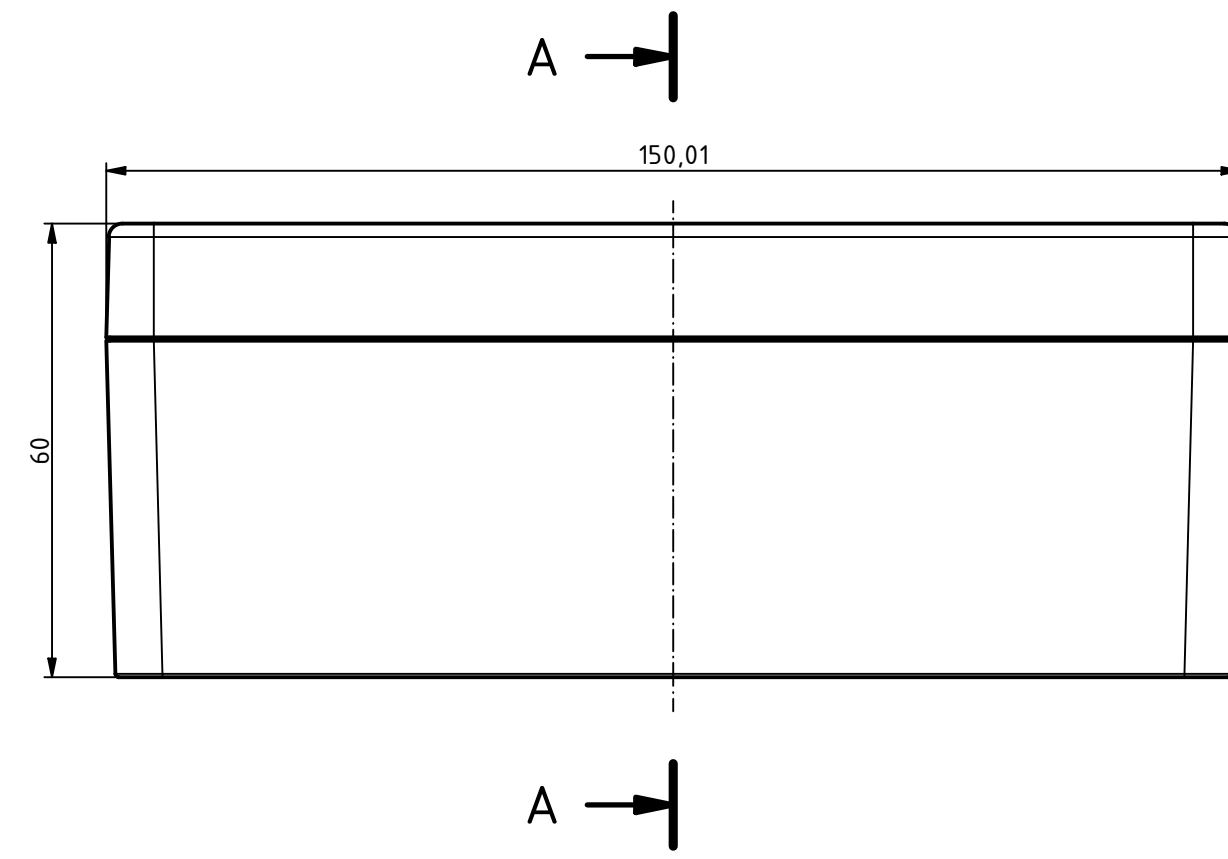
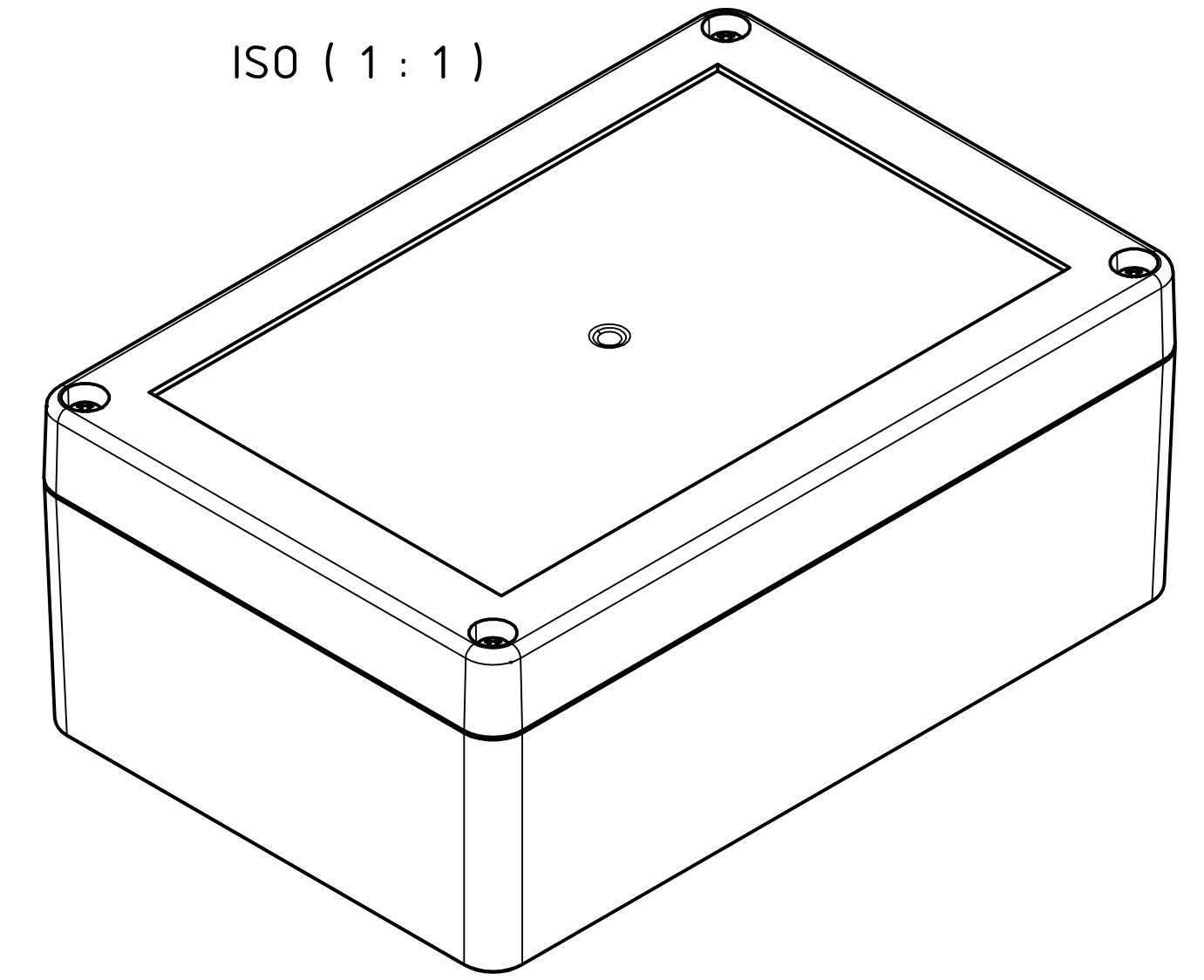


ISO (1 : 1)



For Version with enclosed gasket
 Protection class IP40. To achieve protection class IP65,
 the enclosed gasket must be mounted correctly. The gasket must not be stretched
 or compressed in the corners. Ends cut obliquely and glued, so that the cut ends
 are pressed together by the spring pressure.

SPECIFICATION	
RND NUMBER	RND 455-01391
Distrelec NUMBER	303-75-335
RND BAR CODE NUMBER	0653415230151
Product text English	Enclosure ABS-PC GREY. transp. lid. IP65
Outer Dimensions	150 x 100 x 60mm
Inner dimension length	121.6 x 92.6 x 52.9mm
Material	ABS & Polycarbonate
Colour	light grey. similar to RAL 7035
Lid	Transparent
Wall brackets	N/A
Colour	light grey. similar to RAL 7035
Protection class	IP65 IK07