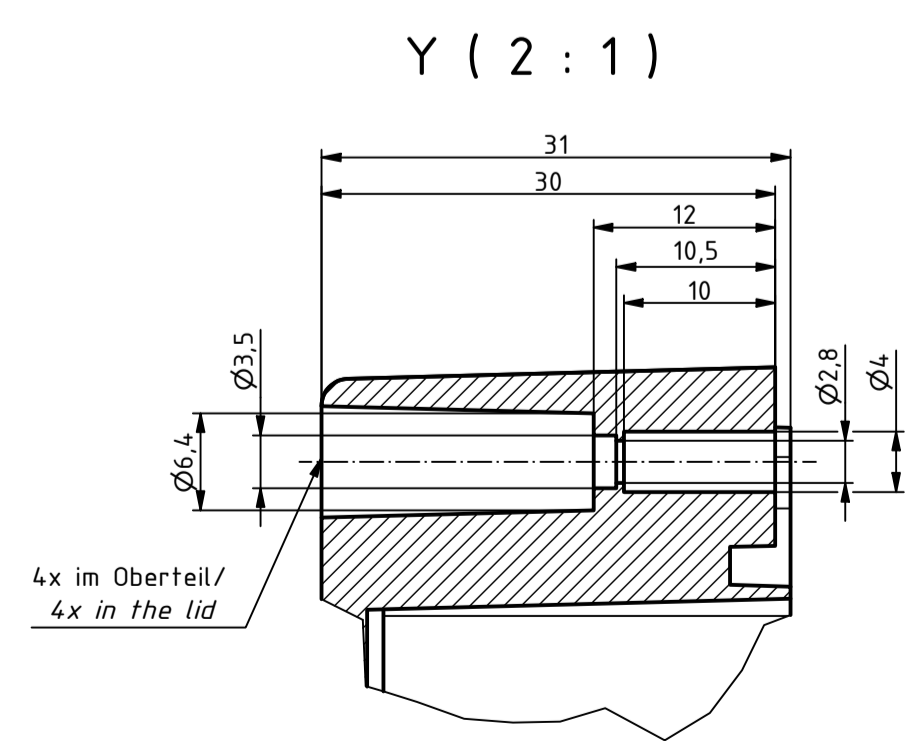
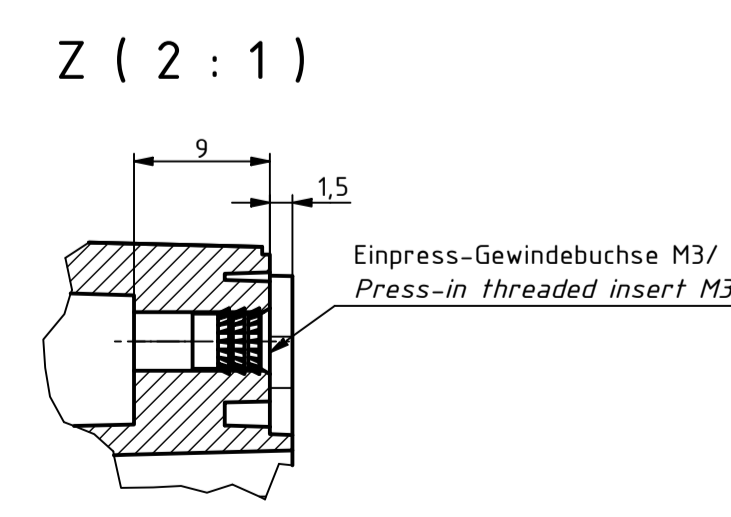
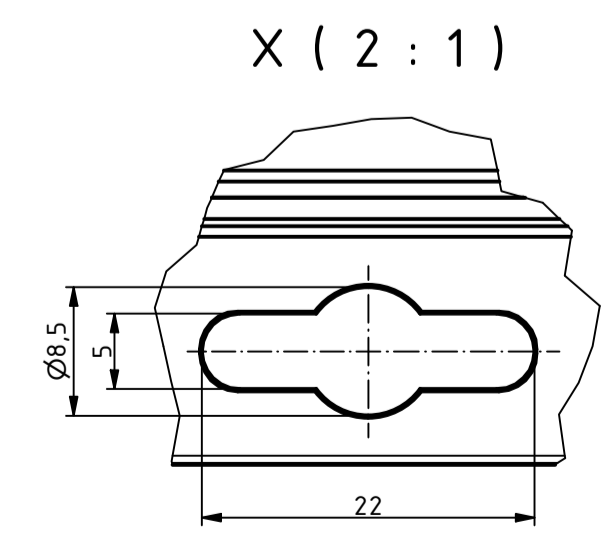


For Version with enclosed gasket  
Protection class IP40. To achieve protection class IP65,  
the enclosed gasket must be mounted correctly. The gasket must not be stretched or  
compressed in the corners. Ends cut obliquely and glued, so that the cut ends  
are pressed together by the spring pressure.



SPECIFICATION	
RND NUMBER	RND 455-01394
Distrelec NUMBER	303-75-338
RND BAR CODE NUMBER	0653415230182
Product text English	Enclosure PC WL GREY. transp. lid. IP66.68
Outer Dimensions	150 x 100 x 60mm
Inner dimension length	121.6 x 92.6 x 52.9mm
Material	Polycarbonate
Colour	light grey, similar to RAL 7035
Lid	Transparent
Wall brackets	Yes
Colour	light grey, similar to RAL 7035
Protection class	IP66 IP68 IK07