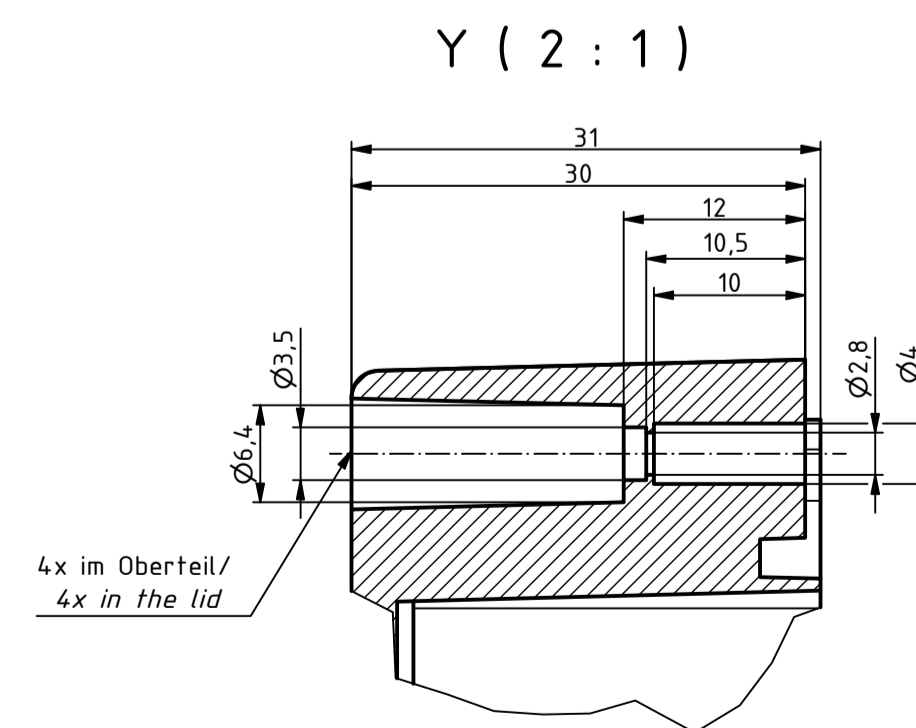
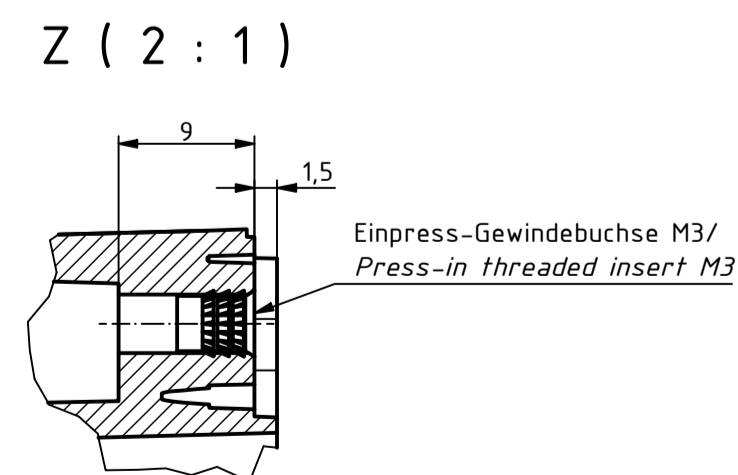


B →



For Version with enclosed gasket
Protection class IP40. To achieve protection class IP65,
the enclosed gasket must be mounted correctly. The gasket must not be stretched or
compressed in the corners. Ends cut obliquely and glued, so that the cut ends
are pressed together by the spring pressure.

SPECIFICATION	
RND NUMBER	RND 455-01398
Distrelec NUMBER	303-75-342
RND BAR CODE NUMBER	0653415230229
Product text English	Enclosure PC GREY. transp. lid. IP66.68
Outer Dimensions	150 x 100 x 75mm
Inner dimension length	120.8 x 141 x 67.9mm
Material	Polycarbonate
Colour	light grey. similar to RAL 7035
Lid	Transparent
Wall brackets	N/A
Colour	light grey. similar to RAL 7035
Protection class	IP66 IP68 IK07