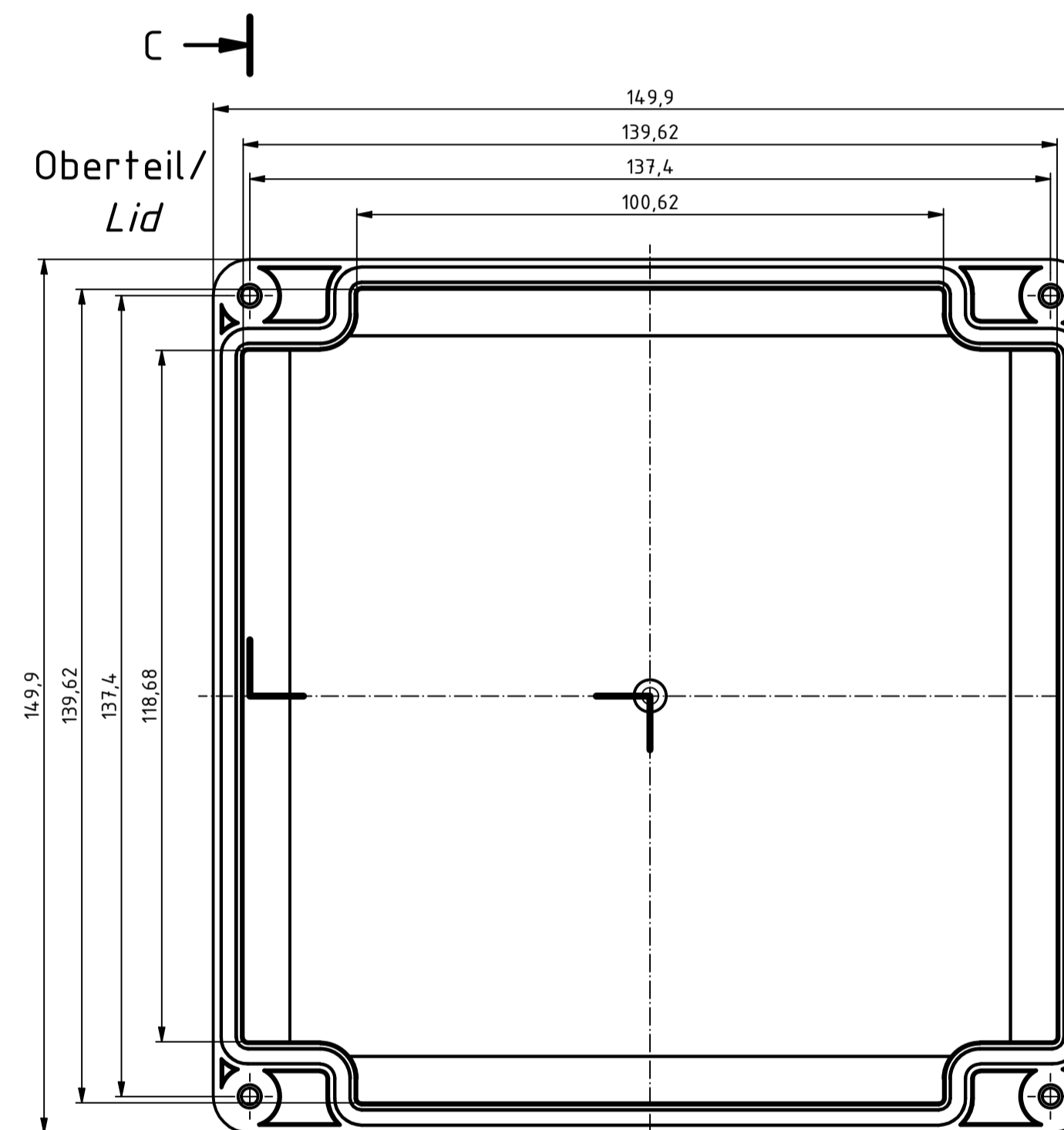
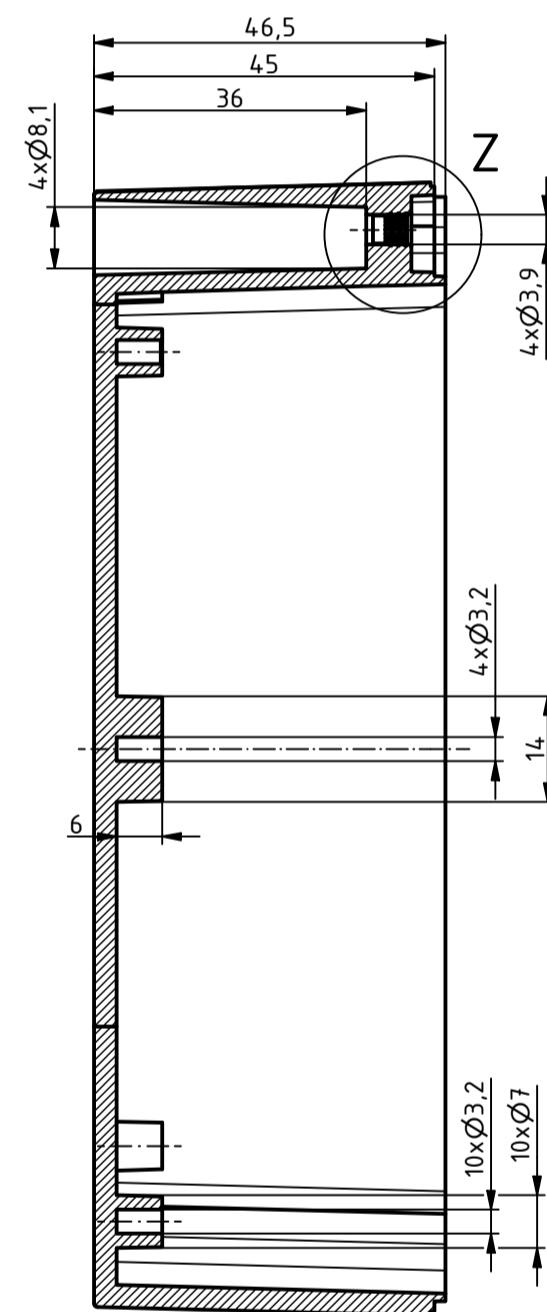
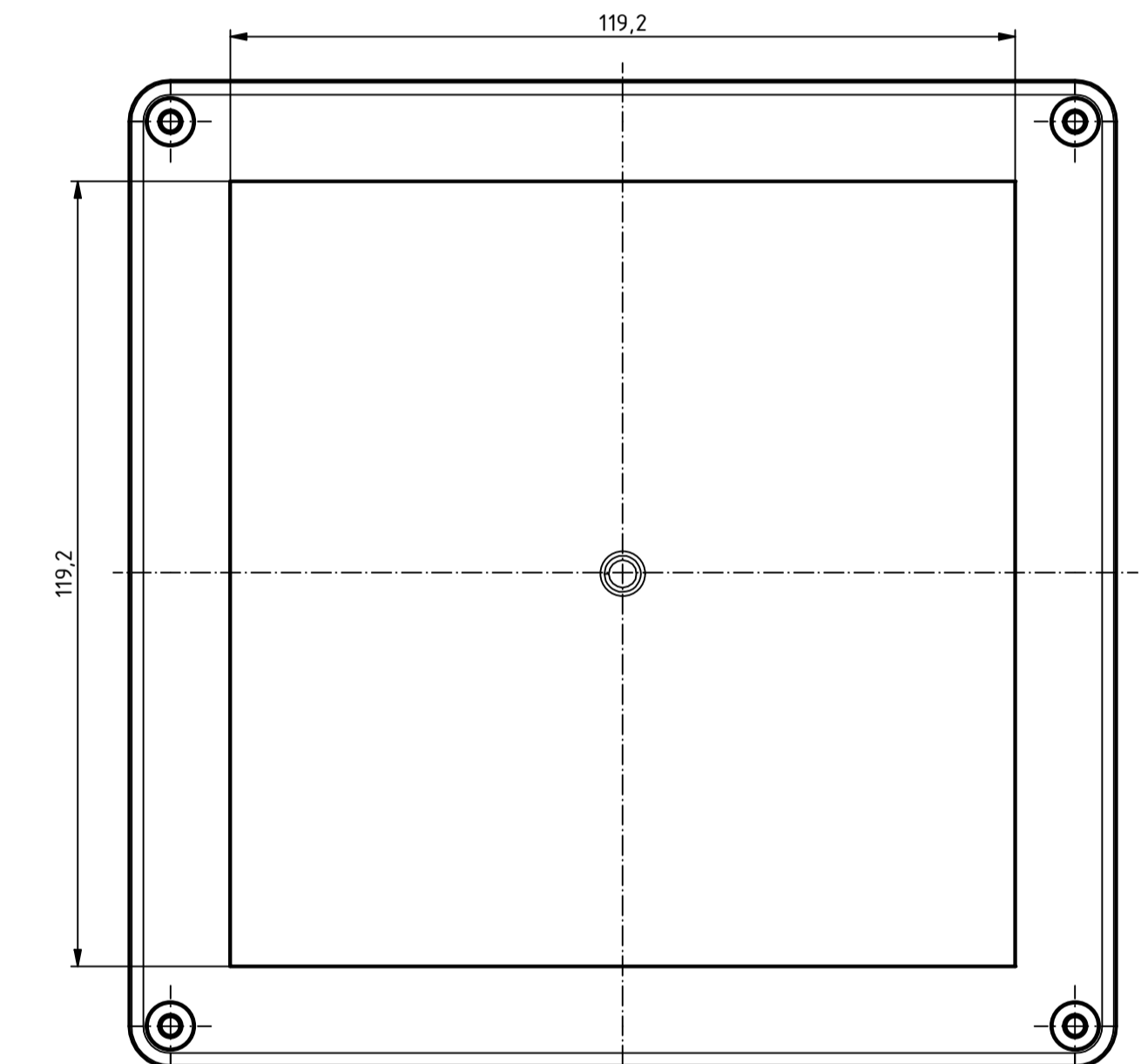
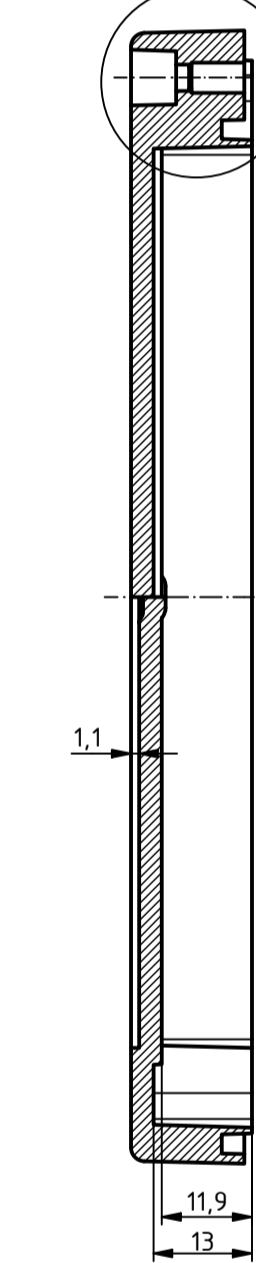


B-B (1 : 1)



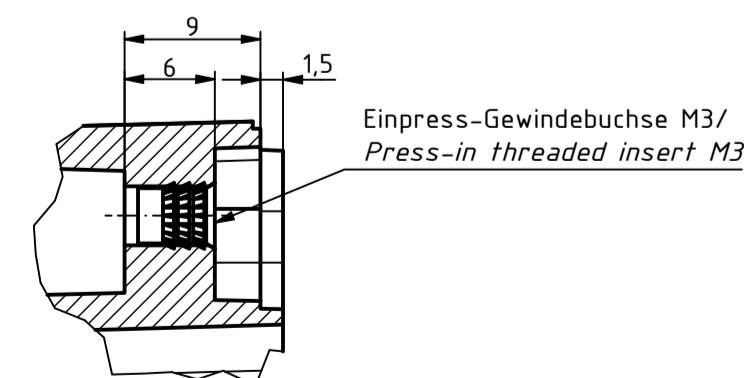
C-C (1 : 1)



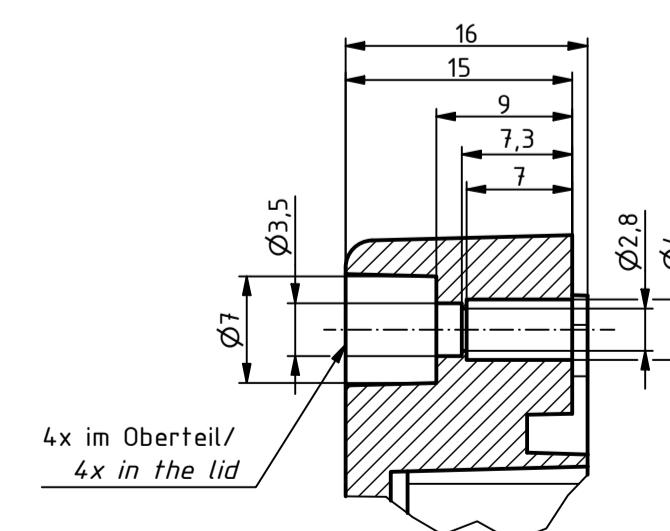
B →

C →

Z (2 : 1)



Y (2 : 1)



For Version with enclosed gasket
 Protection class IP40. To achieve protection class IP65,
 the enclosed gasket must be mounted correctly. The gasket must
 not be stretched or compressed in the corners. Ends cut
 obliquely and glued, so that the cut ends are pressed together by
 the spring pressure.

SPECIFICATION	
RND NUMBER	RND 455-01401
Distributer NUMBER	303-75-345
BAR CODE NUMBER	0653415230250
Product text English	Enclosure PC GREY. IP66.68
Outer Dimensions	150 x 150 x 60mm
Inner dimension length	120.7 x 141.7 x 52.9mm
Material	Polycarbonate
Colour	light grey, similar to RAL 7035
Lid	N/A
Wall brackets	N/A
Colour	light grey, similar to RAL 7035
Protection class	IP66 IP68 IK07