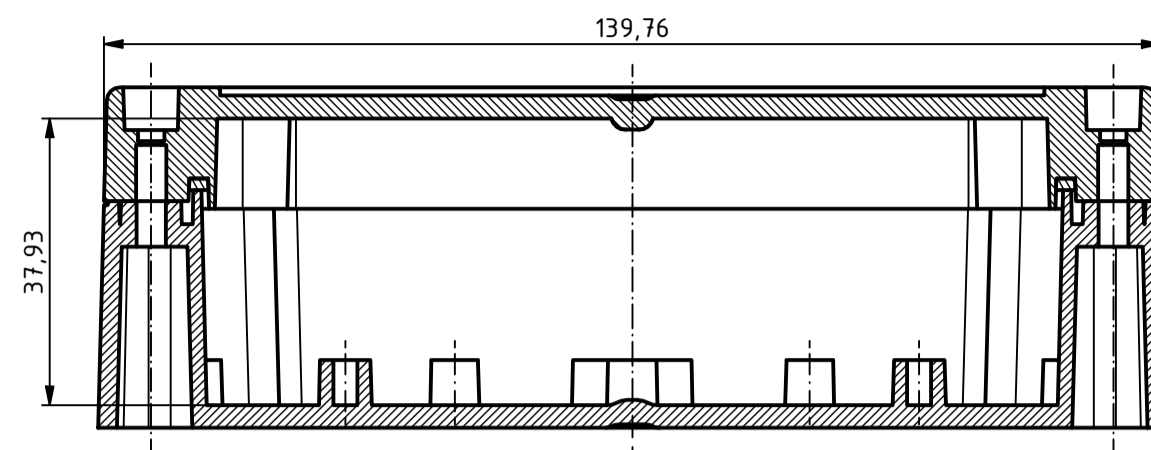
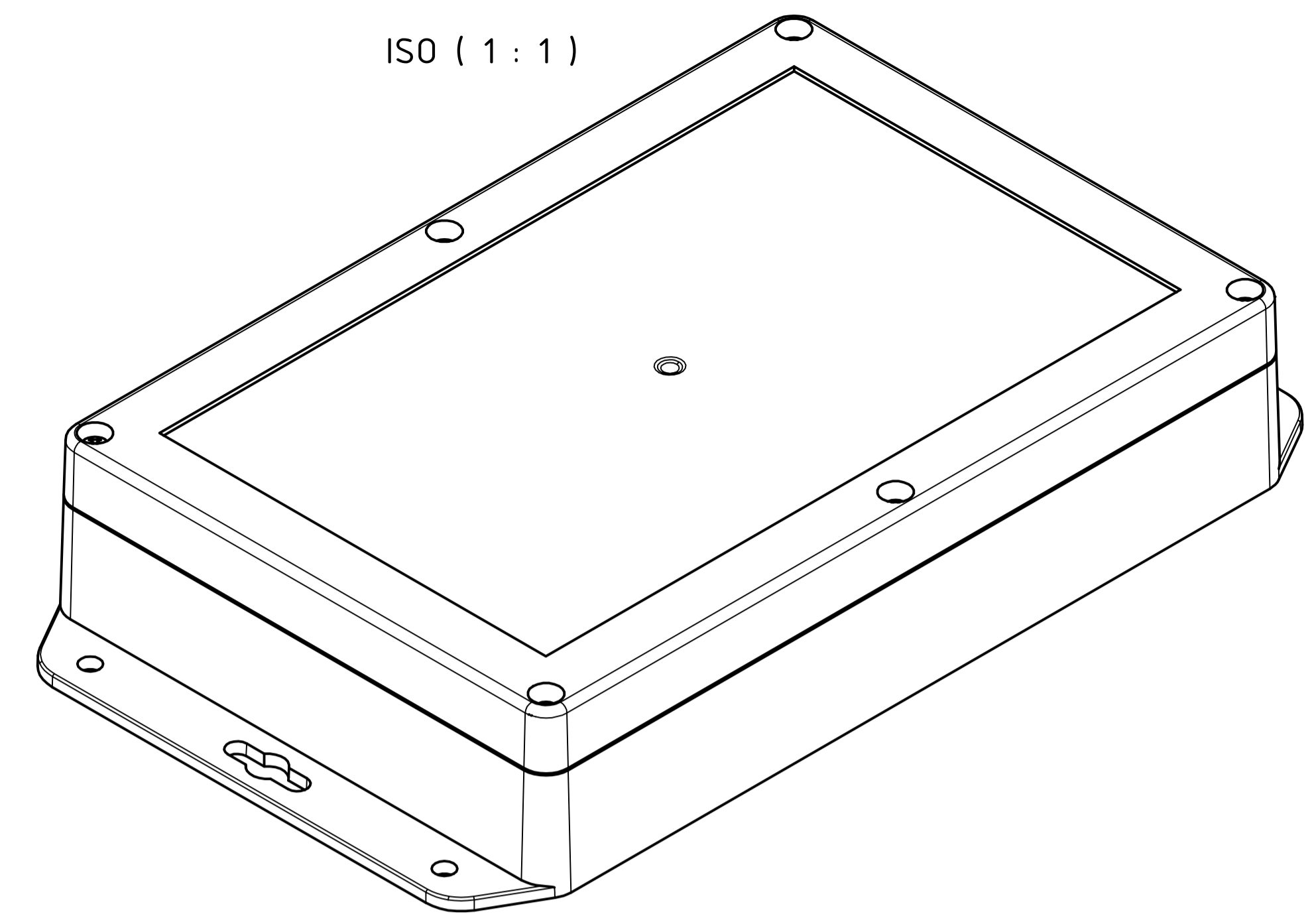


A-A (1 : 1)



ISO (1 : 1)

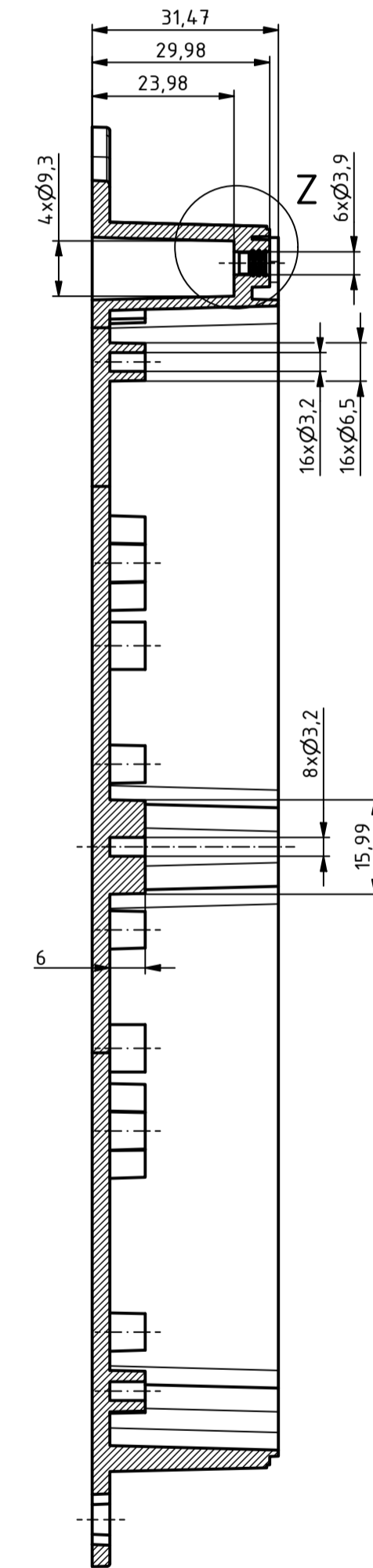
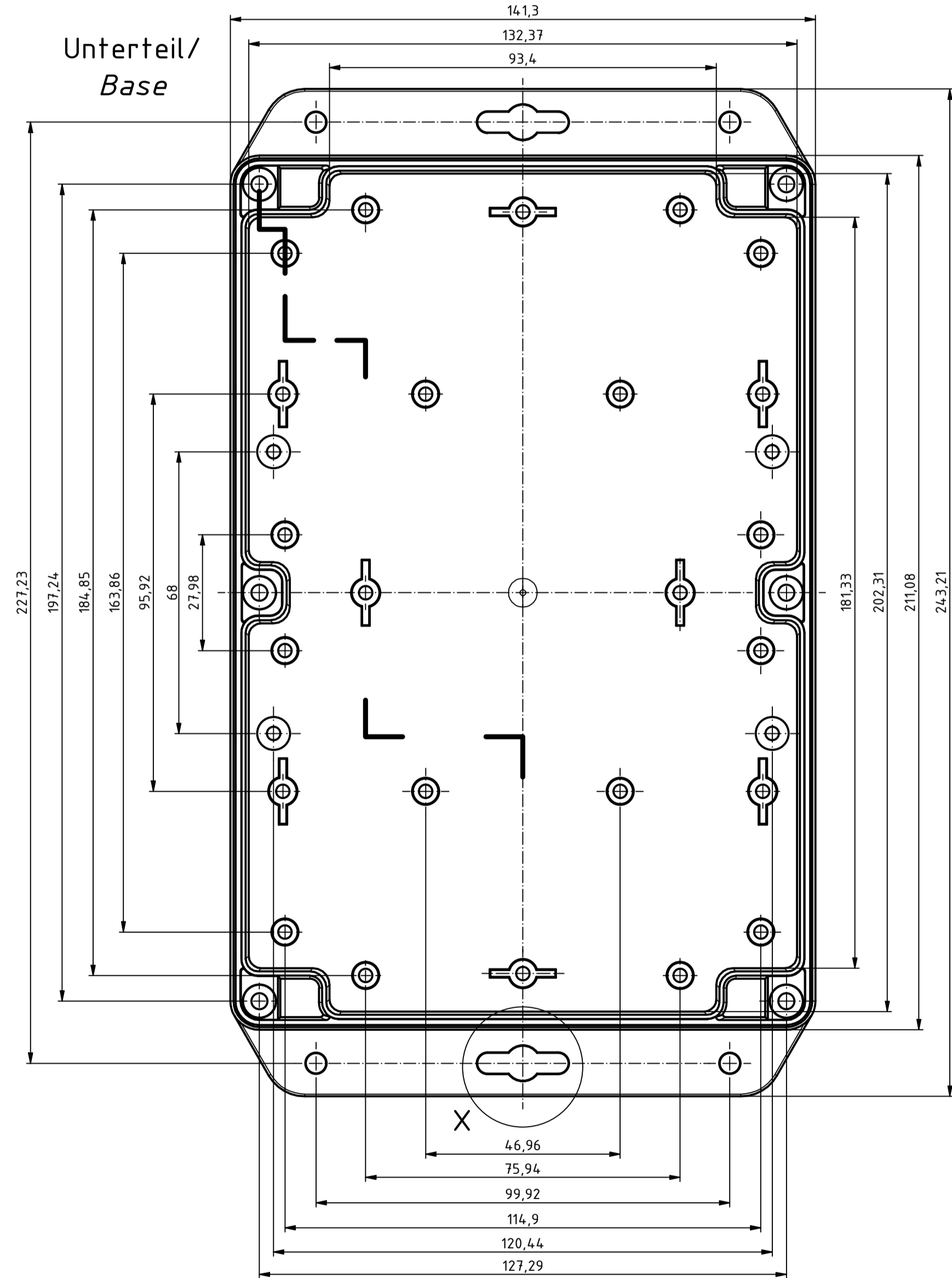


B →

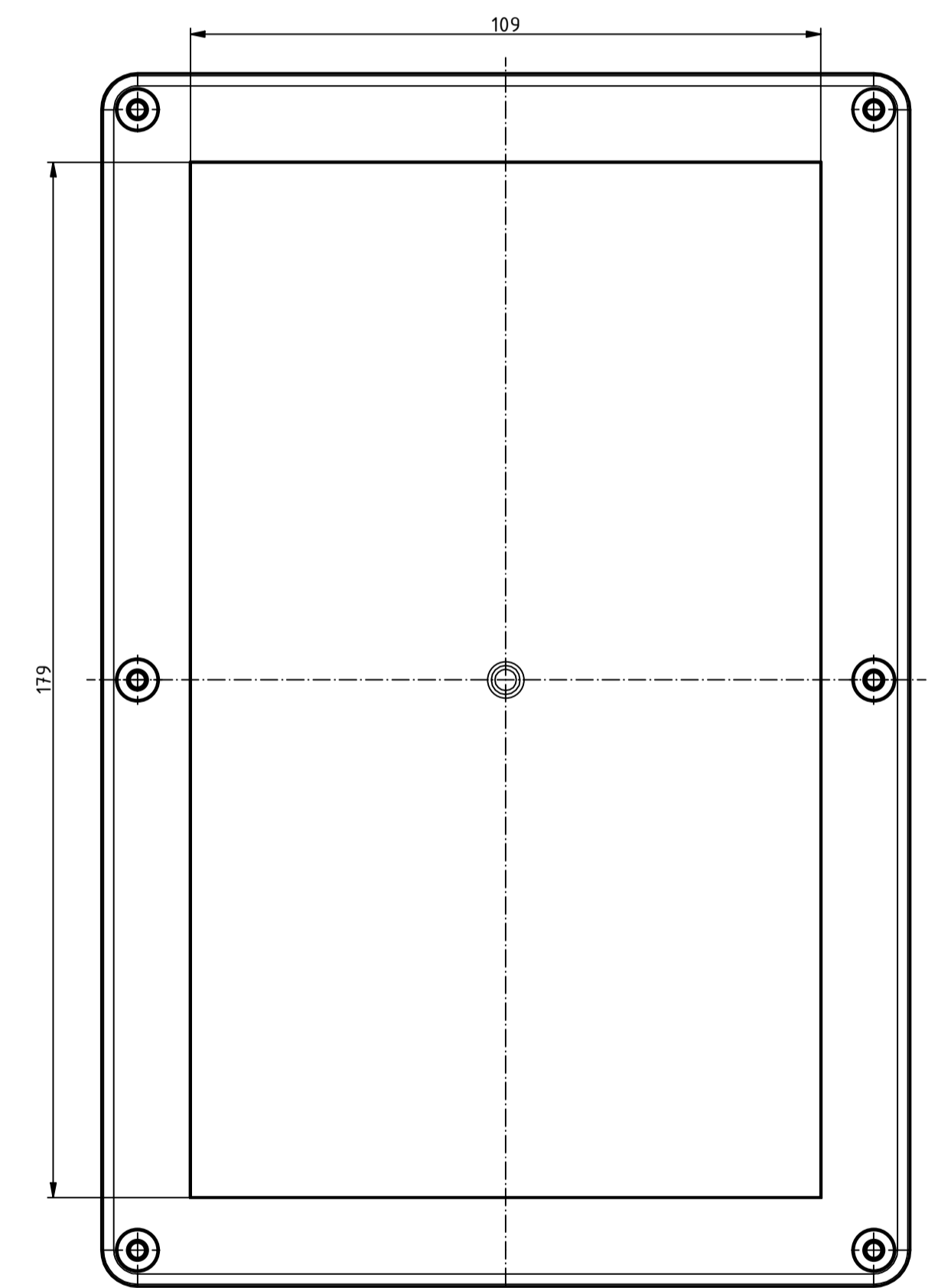
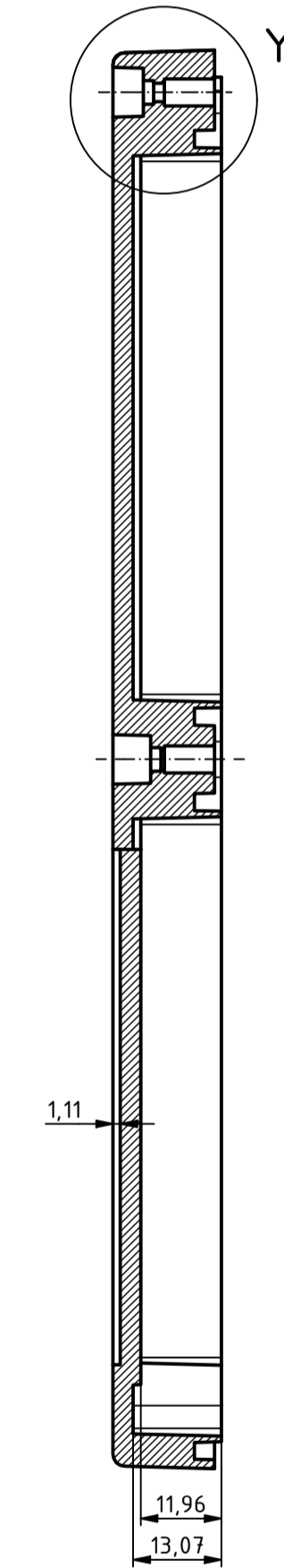
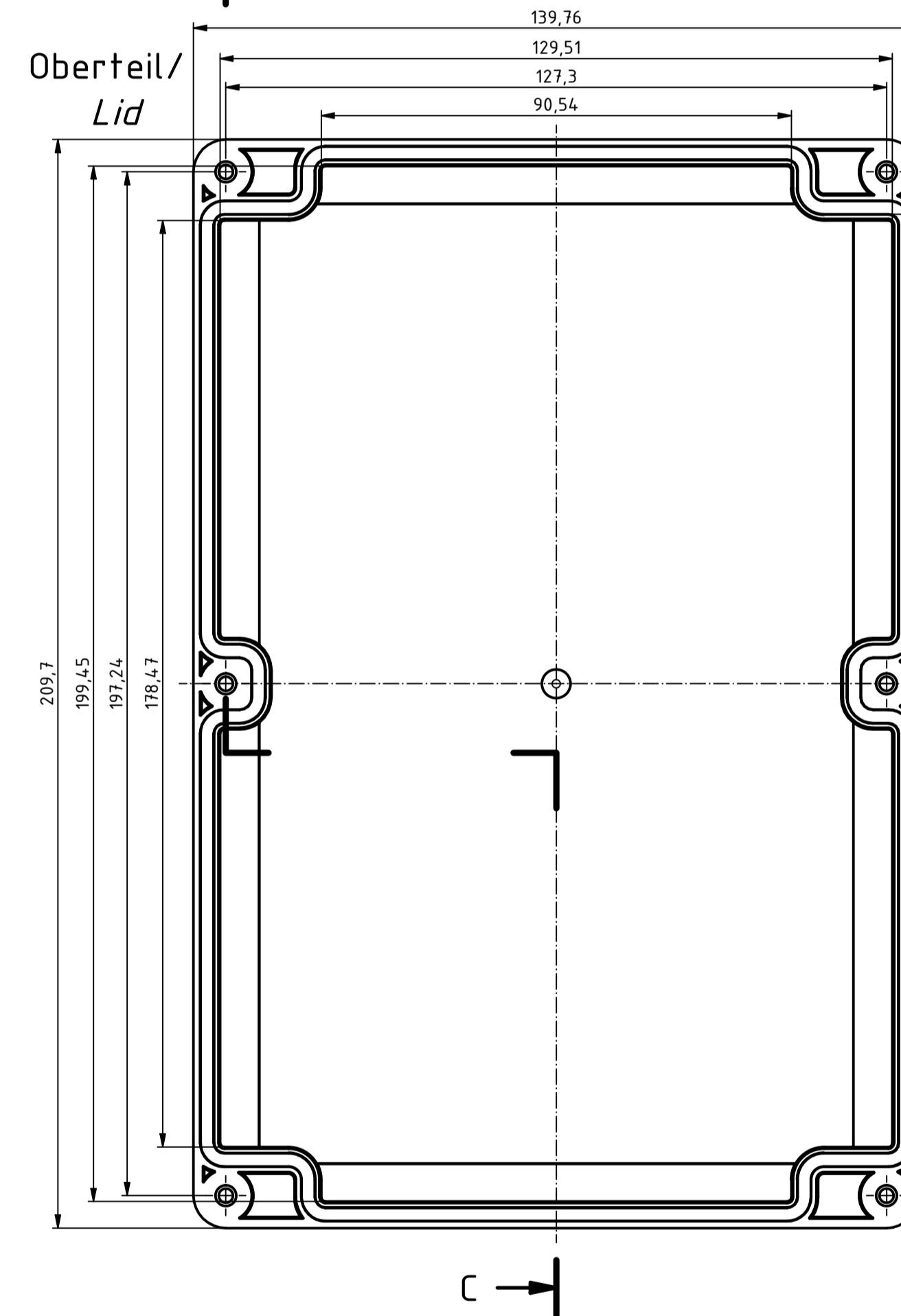
B-B (1 : 1)

C →

C-C (1 : 1)

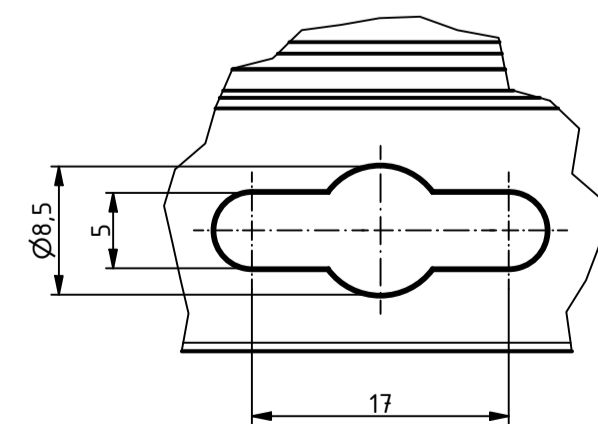


Oberteil/
Lid

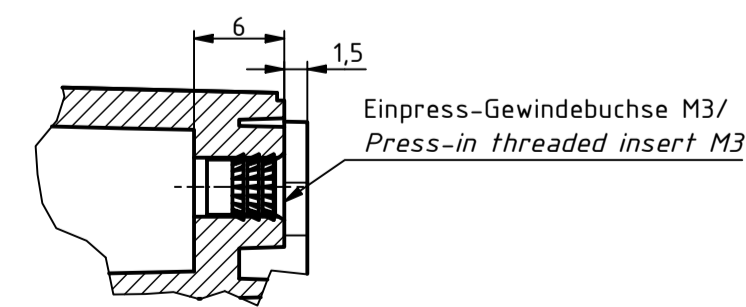


B →

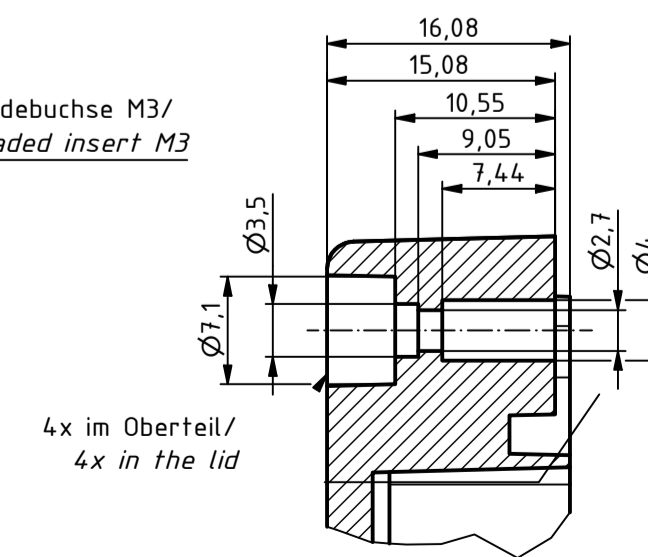
X (2 : 1)



Z (2 : 1)



Y (2 : 1)



For Version with enclosed gasket
Protection class IP40. To achieve protection class IP65,
the enclosed gasket must be mounted correctly. The gasket must not be
stretched or compressed in the corners. Ends cut obliquely and glued, so
that the cut ends are pressed together by the spring pressure.

SPECIFICATION	
RND NUMBER	RND 455-01417
Distrelec NUMBER	303-75-361
RND BAR CODE NUMBER	0653415230410
Product text English	Enclosure PC WL GREY. IP66.68
Outer Dimensions	209.7 x 139.8 x 45.1 mm
Inner dimension length	181.3 x 132.4 x 37.9mm
Material	Polycarbonate
Colour	light grey, similar to RAL 7035
Lid	N/A
Wall brackets	Yes
Colour	light grey, similar to RAL 7035
Protection class	IP66 IP68 IK07