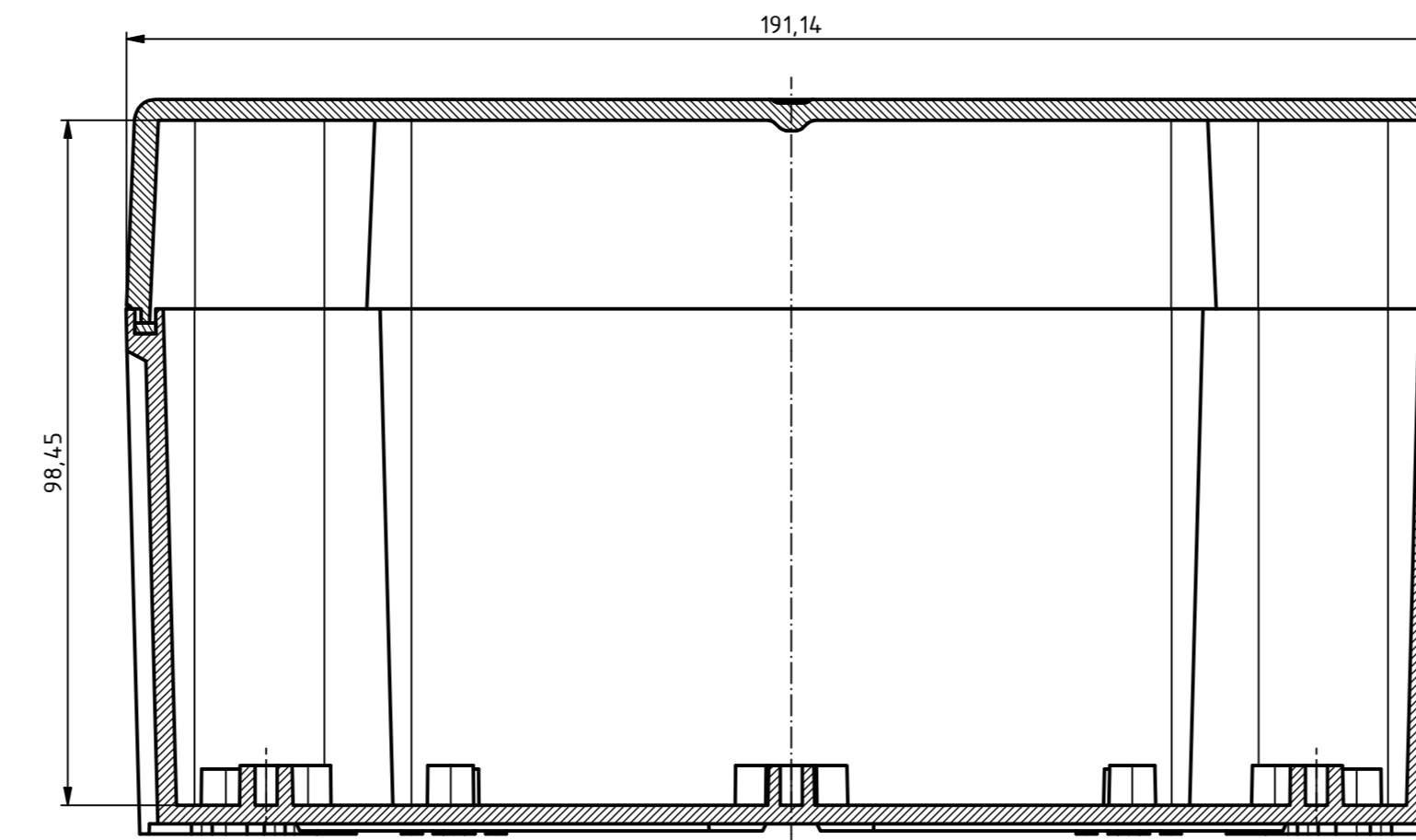
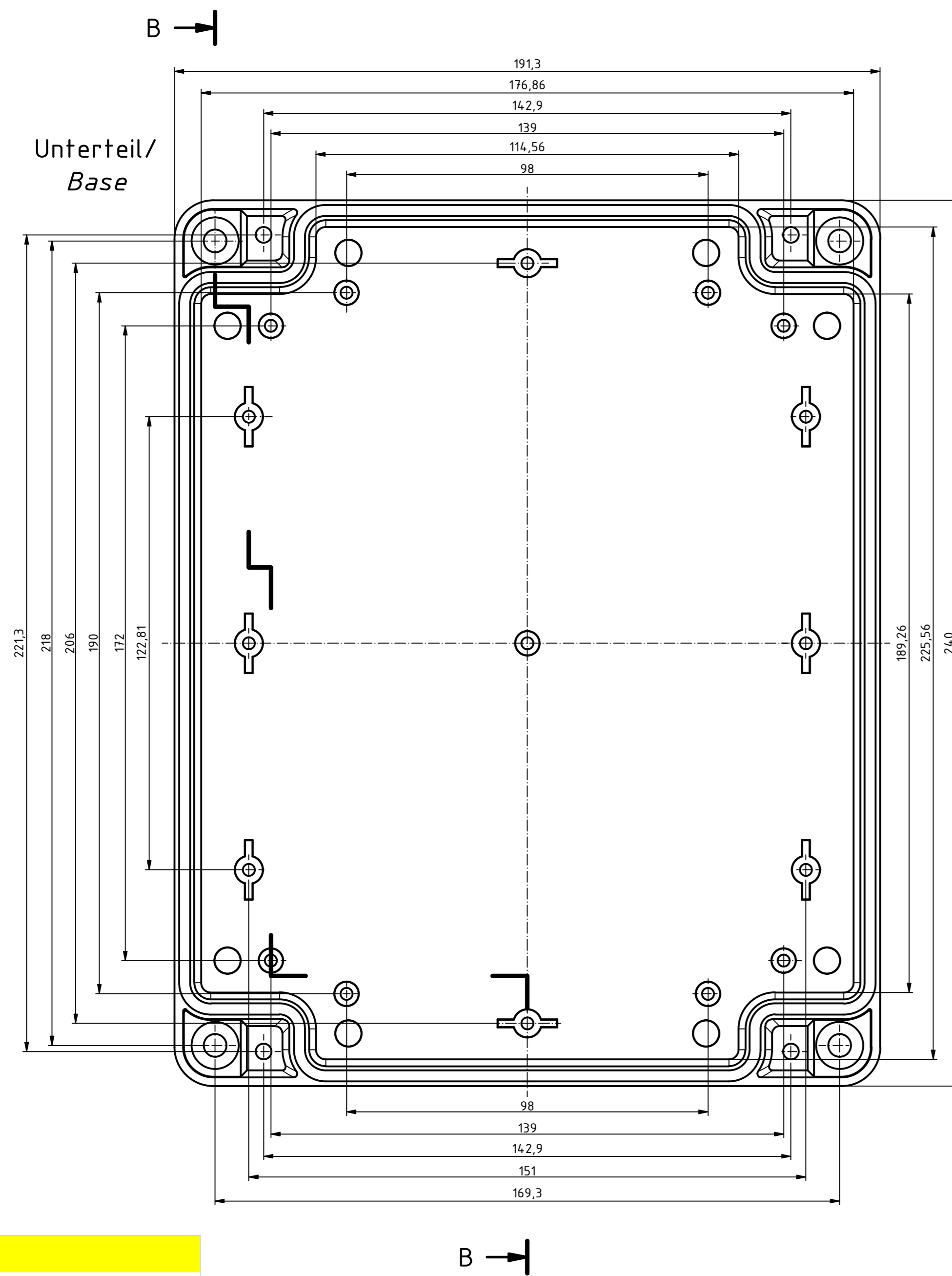
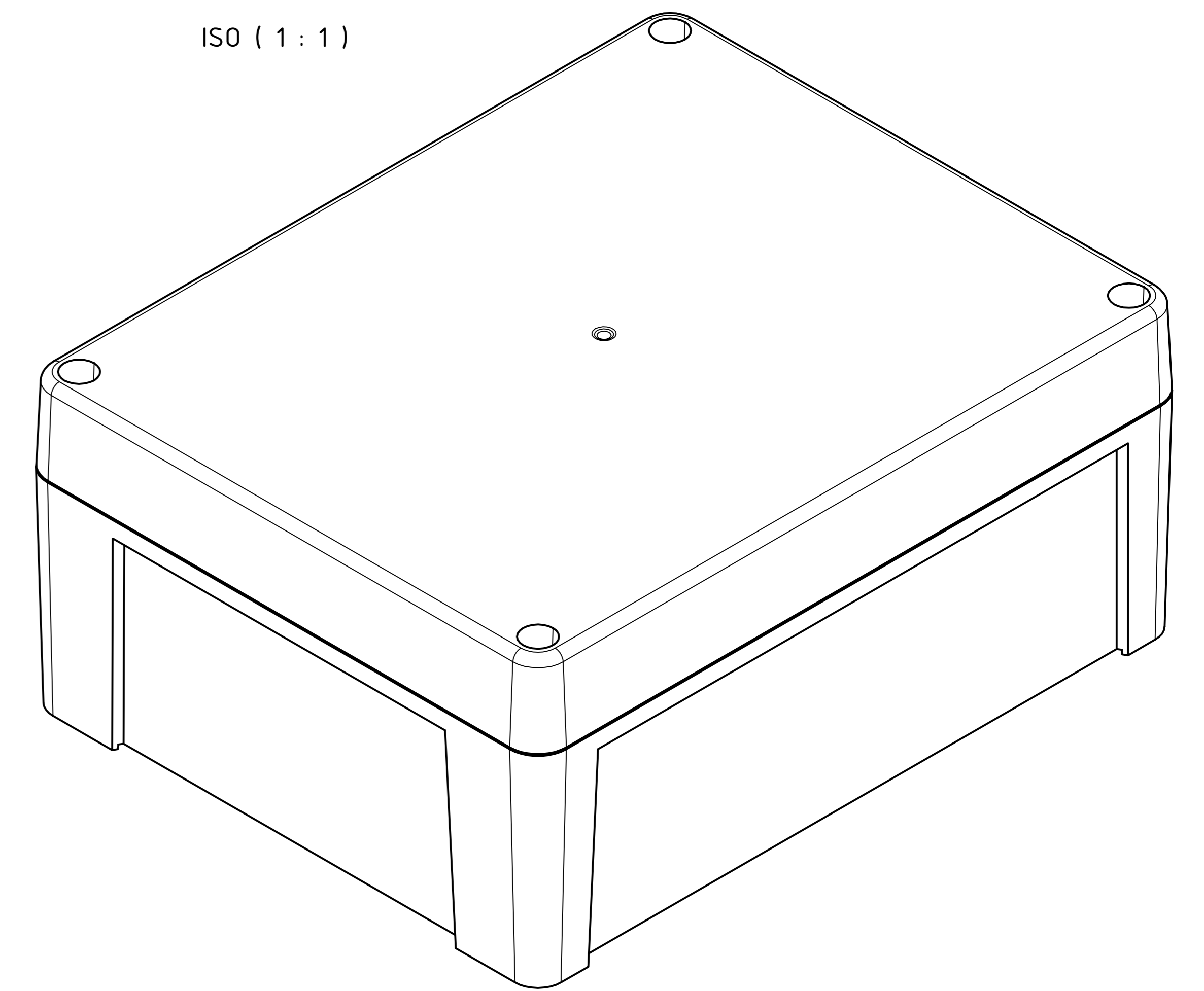


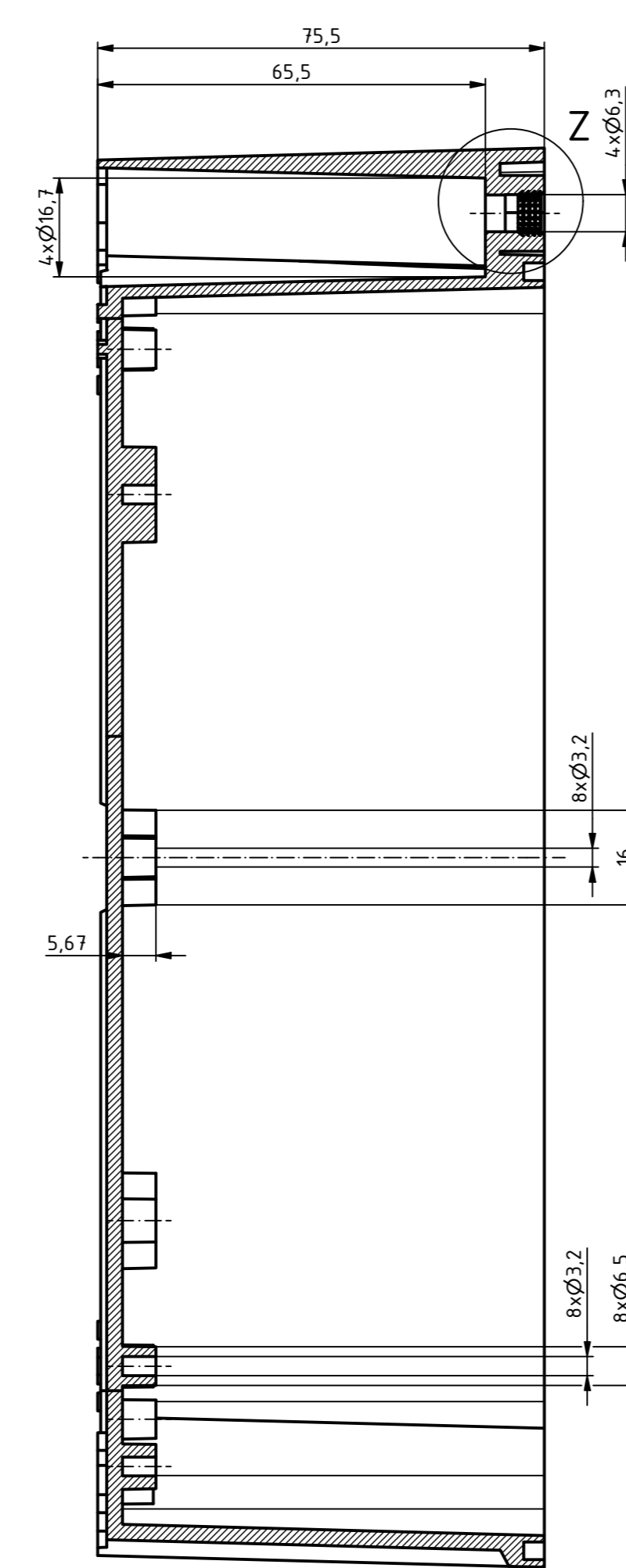
A-A (1:1)



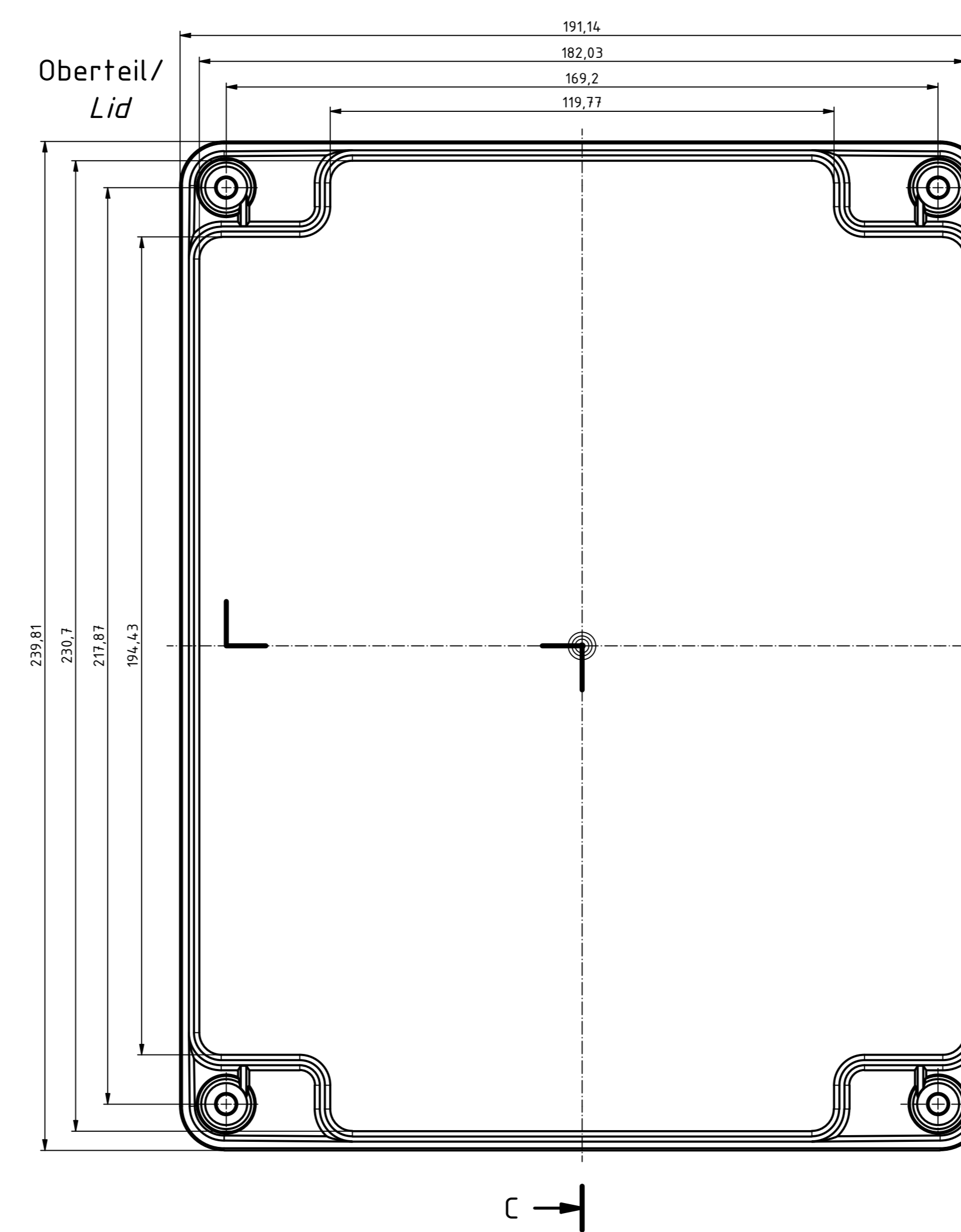
ISO (1:1)



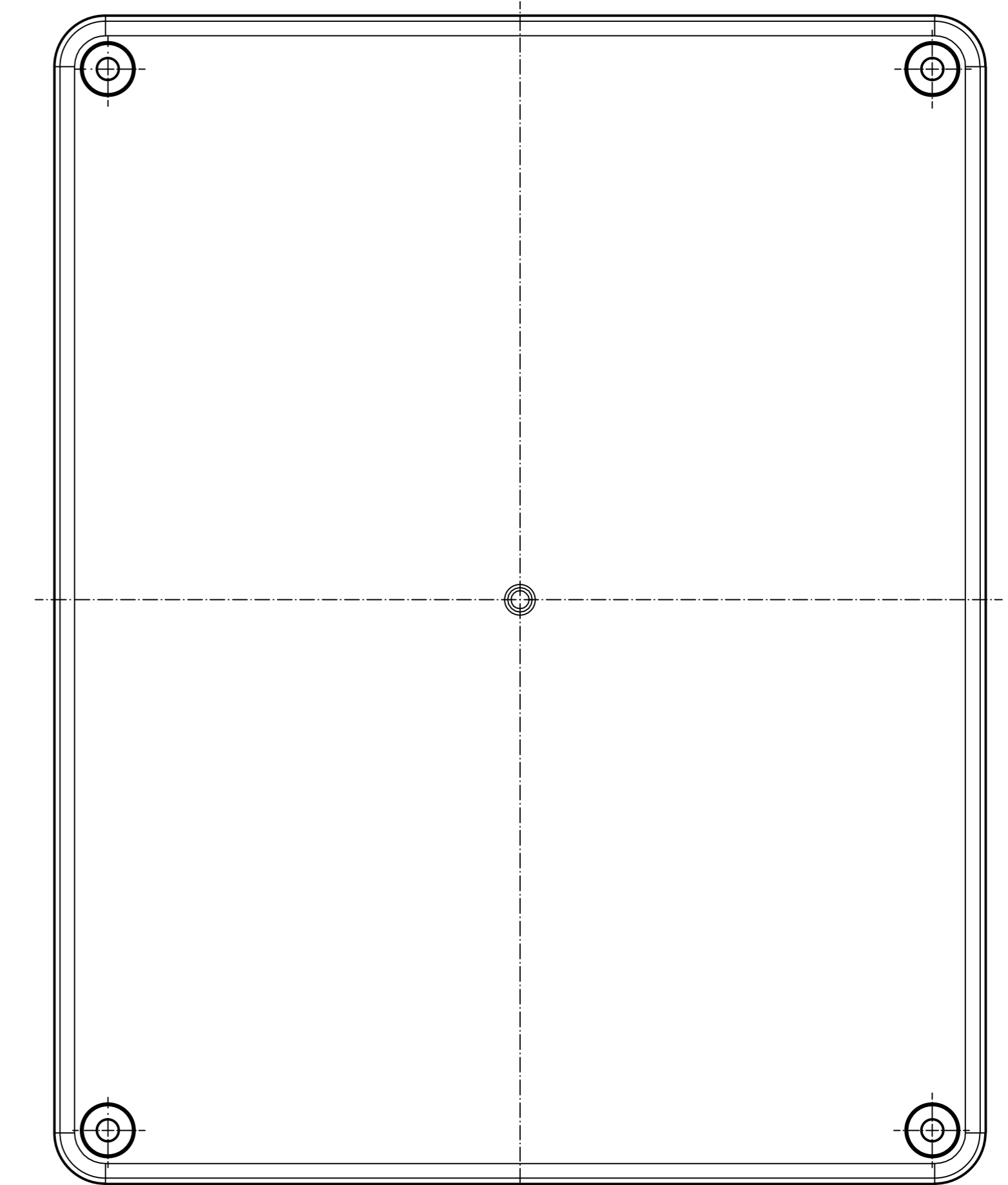
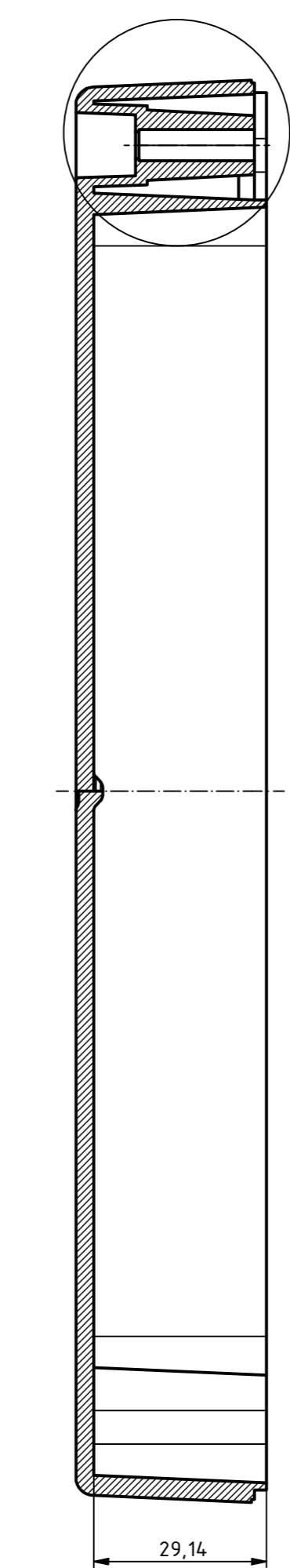
B-B (1:1)



C →



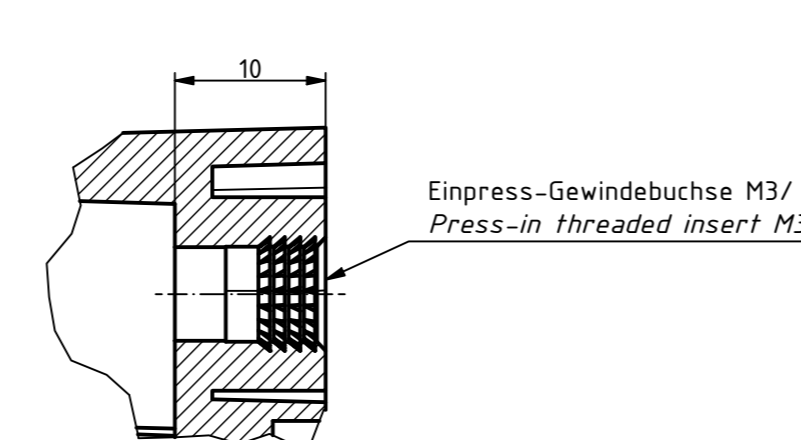
C-C (1:1)



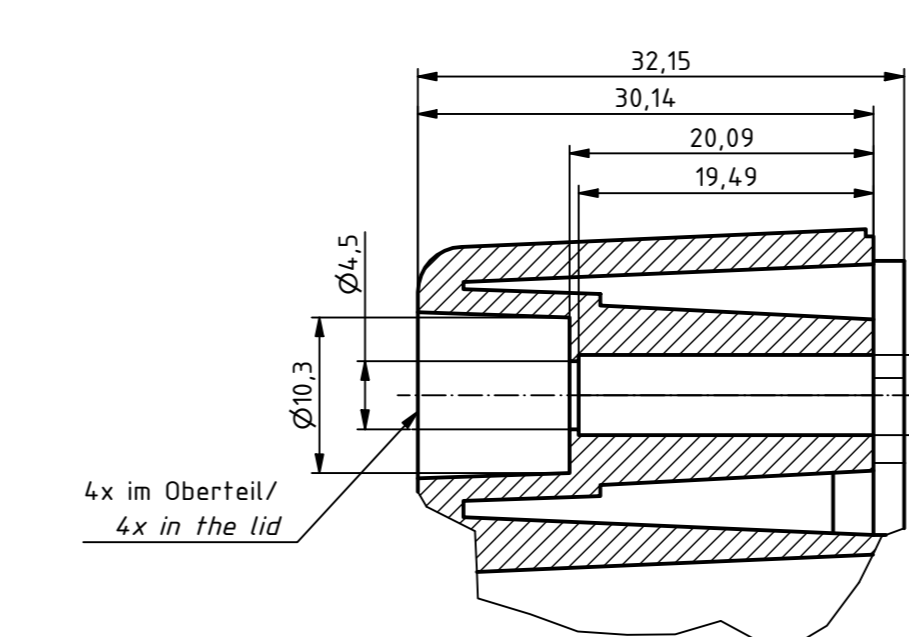
B →

SPECIFICATION	
RND NUMBER	RND 455-01426
Distrelec NUMBER	303-75-370
RND BAR CODE NUMBER	0653415230502
Product text English	Enclosure PC GREY. transp. lid. IP66,68
Outer Dimensions	240 x 191.3 x 105.6mm
Inner dimension length	189.3 x 176.9 x 98.4mm
Material	Polycarbonate
Colour	light grey, similar to RAL 7035
Lid	Transparent
Wall brackets	N/A
Colour	light grey, similar to RAL 7035
Protection class	IP66 IP68 IK07

Z (2:1)



Y (2:1)



For Version with enclosed gasket
Protection class IP40. To achieve protection class IP65,
the enclosed gasket must be mounted correctly. The gasket must not be stretched or
compressed in the corners. Ends cut obliquely and glued, so that the cut ends are
pressed together by the spring pressure.