

Features

- Electronically commutated DC motor
- With polarity reversal and blocking protection
- High output, quiet running
- Connecting wires 300 mm AWG 26
- Speed control
- Signal output



Specification

Rated Voltage	24 VDC
Operating Voltage	14 ... 26.4 V
Rated Speed	10000 rpm
Rated Current	70 mA
Rated Power	1.68 W
Max. Airflow	12.23 CFM, 20.8 m ³ /h
Max. Air Pressure	0.33 inch-H ₂ O, 8.43 mm-H ₂ O
Noise	37.3 dBA, 41.3 dBA
Wire	2 Leads - 300 mm
Insulation Resistance	10 MOhm min. @ 500 VDC
Dielectric Strength	5 mA max @ 500 VAC 60 Hz 1 min.

Mechanical

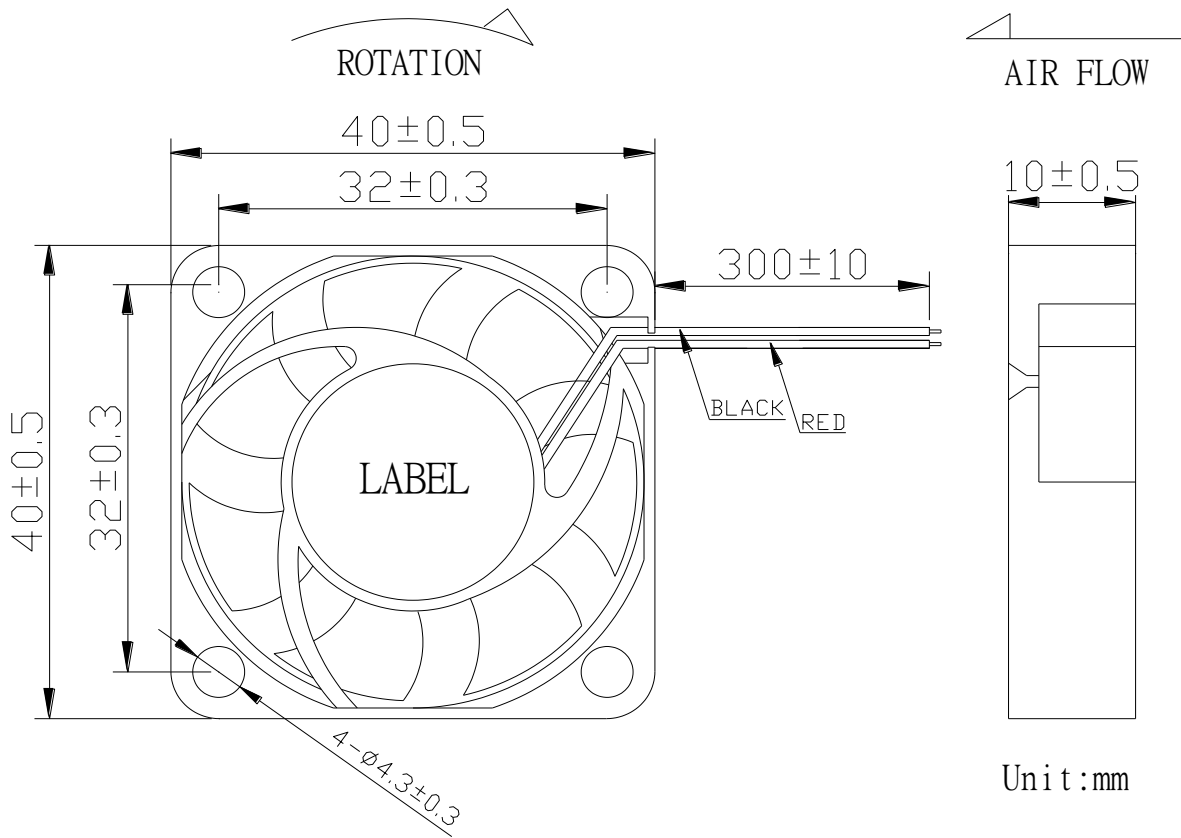
Fan Size (See Dimension Drawing in Page 2)	40 x 40 x 10 mm
Frame	Thermoplastic Black / PBT 15% gf of UL94-V0
Fan Blade	Thermoplastic Black / PBT 15% gf of UL94-V0
Bearing	Sleeve Bearing
Weight	20 g

Environment

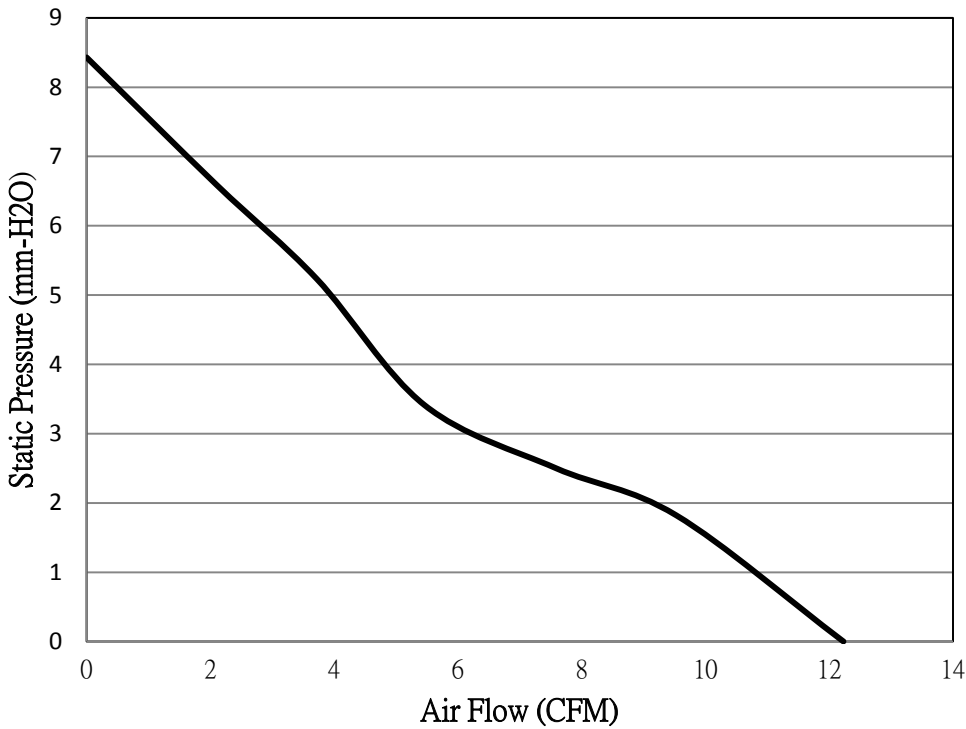
Ambient Operating Temperature	-10 ... 70 °C
Storage Temperature	-40 ... 75 °C
Operation Humidity	5 ... 90 % RH
Storage Humidity	5 ... 95 % RH

DC Axial Fan

Drawing



P-Q Curve



Art Nr.

RND 460-00083