

Peltier Element



Features

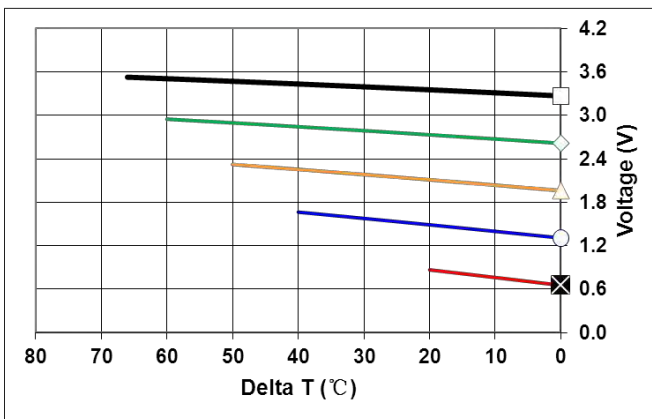
- The Thermoelectric modules utilise the Peltier phenomenon principle to pump heat when voltage is applied
- When supplied with a suitable electric current, they can either cool or heat
- Suited for cooling miniature electronic components such as infra-red detector chips, microwave IC's, fibre-optic lasers and detectors
- Solid-state long term stability

Specification

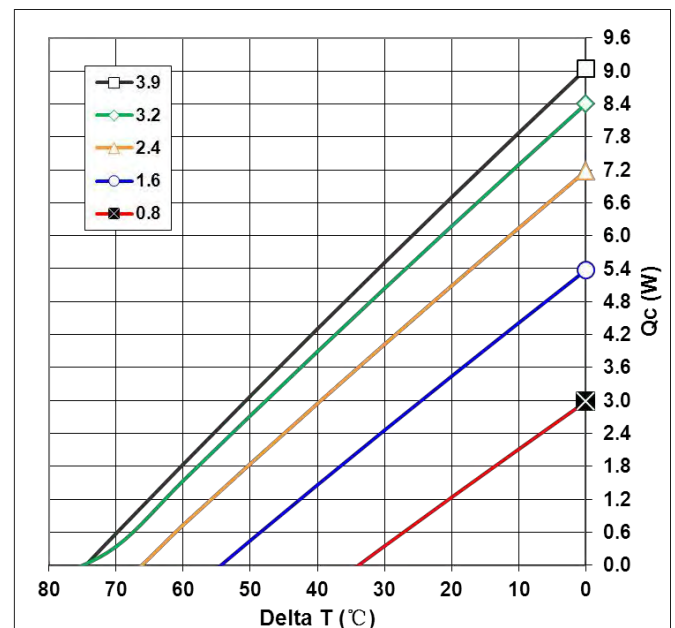
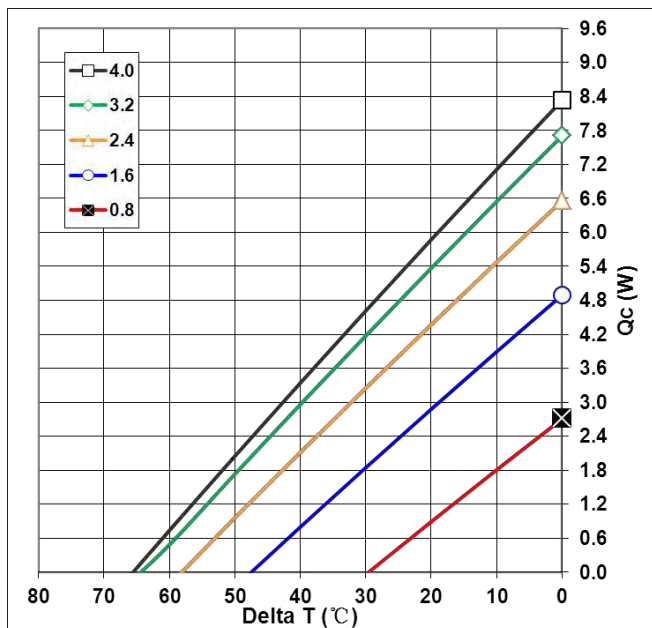
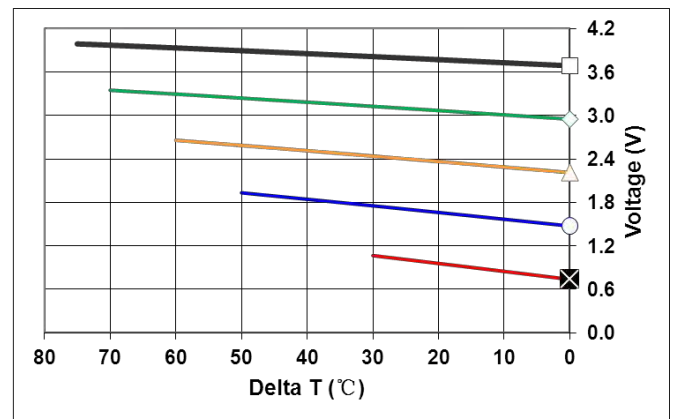
Hot Side Temperature	25 °C	50 °C
Qmax	8.2 W	9 W
Delta Tmax	67 °C	75 °C
Imax	3.9 A	3.9 A
Vmax	3.75 V	4.1 V
Module Resistance	820 mOhm	930 mOhm

Tolerances for thermal and electrical parameters $\pm 10\%$

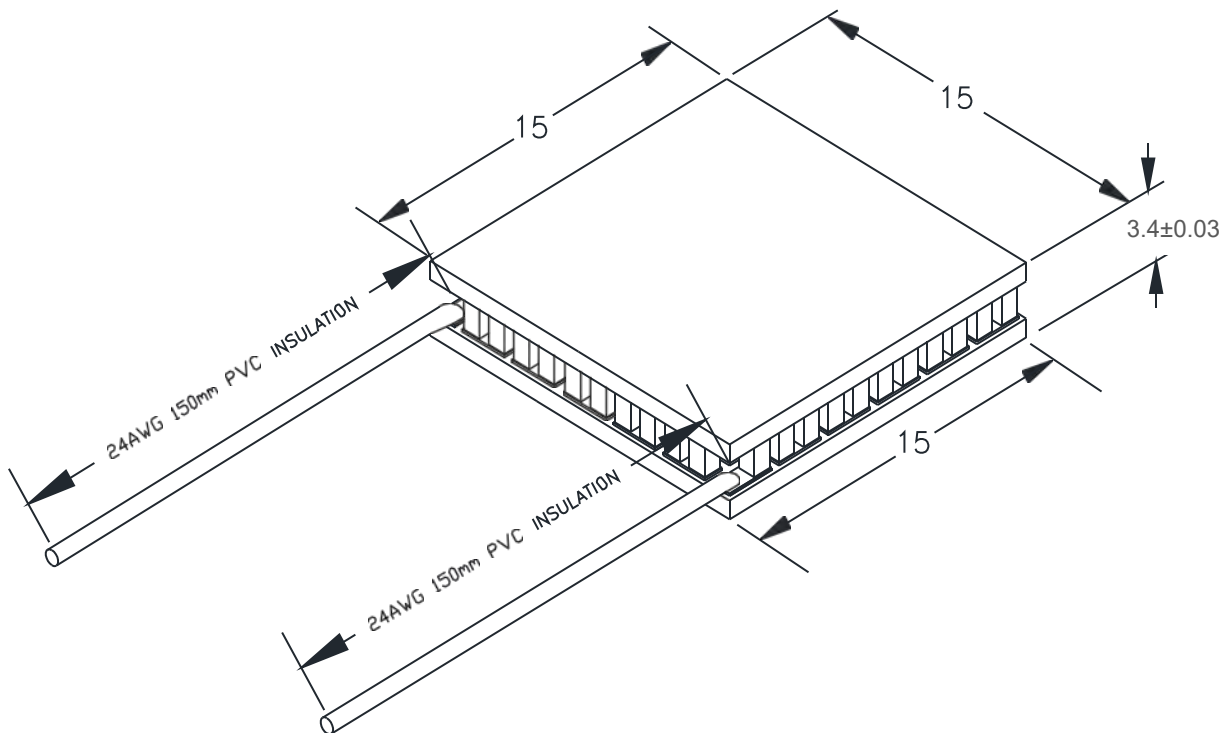
Performance Curves Th=25 °C



Performance Curves Th=50 °C



Mechanical Drawing



Operation Tips

- Max Operating Temperature: 90°C
- Do not exceed I_{max} or V_{max} when operating module
- Please consult RND for moisture and corrosion protection options

Art Nr.

RND 460-00151