

AC FAN



Features

- AC fans often come with variable speed control options, allowing users to adjust the fan speed to suit their needs.
- Many modern AC fans are designed with noise reduction technologies, ensuring quieter operation even at higher speeds
- AC fans are increasingly engineered to be energy-efficient, consuming less power while providing adequate airflow
- Features allow users to operate the fan conveniently from a distance or integrate it into smart home systems, enabling control via smartphones or voice assistants for added convenience and flexibility



Specification

Rated Voltage	230 VAC
Operation Voltage	200 ~ 240 VAC
Operation Frequency	50 / 60 Hz
Rated Power	14 / 13 ± 20 % W
Speed	2000 / 2200 ± 10 % R.P.M
Control Signal	None
Signal Output	None
Max. Air Flow (At Zero Static Pressure)	1.92/ 2.15 m ³ /min 68.0 / 76.0 CFM
Max. Air Pressure (At Zero Flow)	3.90 /4.20 mm-H ₂ O 0.15 / 0.17 inch-H ₂ O
Acoustical Noise	39.0 / 41.0 dB-A
Operation Temperature	-10 ~ 60 °C
Storage Temperature	-40 ~ 70 °C
Life Expectance	40,000 Hrs @ 20 °C
Weight	285 g

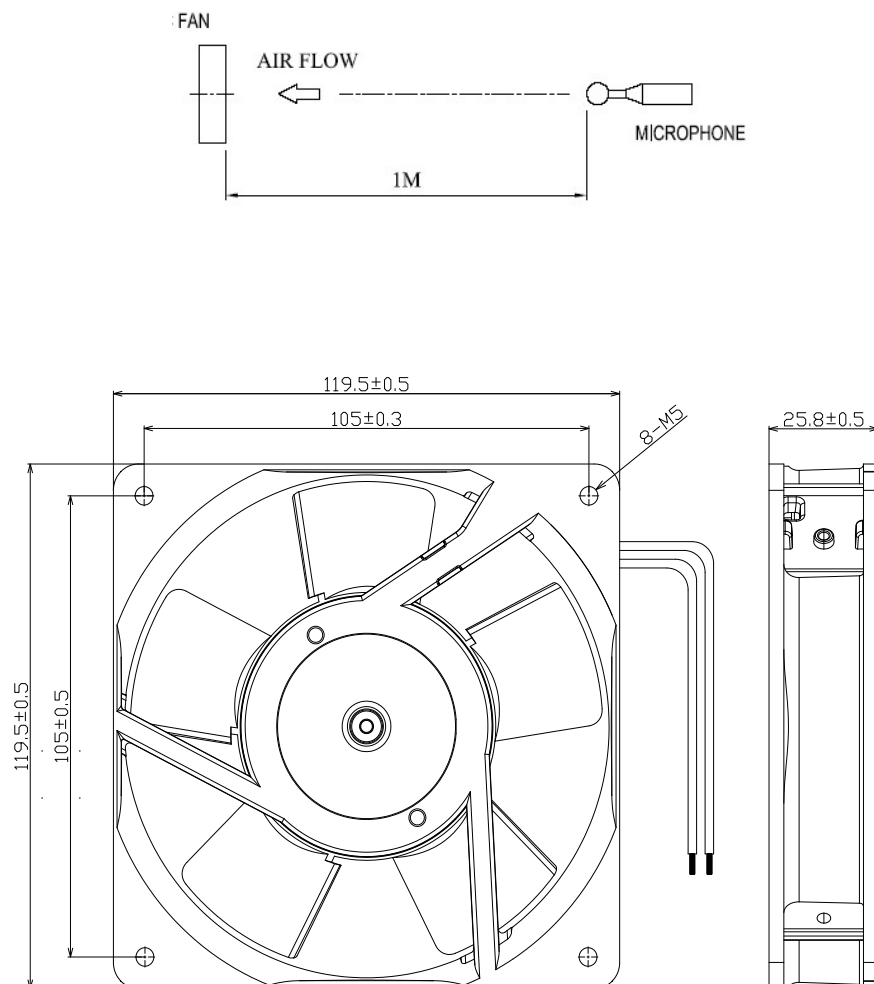
Characteristic

Motor Design	Shaded Pole Motor Construction
Insulation Resistance	100 ohms or more at 500 V Megger
Dielectric Strength	1 minute Frame at 1400 VAC/50-60 Hz
Rotation	Counter-Clockwise viewed from Inlet
Air Flow Direction	Air exhaust over struck
Motor Protection	Impedance Protected

Mechanical

Frame	Aluminum Die-Casting
Fan Blade	Thermoplastic Black/ PBT+15 % GF of UL 94-V0
Bearing System	Two Ball Bearings

Drawing



Art. Nr.
RND 460-00166