

Features

- AC fans often come with variable speed control options, allowing users to adjust the fan speed to suit their needs.
- Many modern AC fans are designed with noise reduction technologies, ensuring quieter operation even at higher speeds
- AC fans are increasingly engineered to be energy-efficient, consuming less power while providing adequate airflow
- Features allow users to operate the fan conveniently from a distance or integrate it into smart home systems, enabling control via smartphones or voice assistants for added convenience and flexibility



Specification

Rated Voltage	230 VAC
Operation Voltage	200 ~ 240 VAC
Operation Frequency	50 / 60 Hz
Input Power	32 / 30 ± 20 % W
Speed	2600 / 2900 ± 10 % R.P.M
Control Signal	None
Signal Output	None
Max. Air Flow (At Zero Static Pressure)	4.67 / 4.95 m ³ /min 165 / 175 CFM
Max. Air Pressure (At Zero Flow)	11.20 /12.10 mm-H ₂ O 0.44 / 0.48 inch-H ₂ O
Acoustical Noise	53 / 59 dB-A
Operation Temperature	-10 ~ 60 °C
Storage Temperature	-40 ~ 70 °C
Life Expectance	50,000 Hrs @ 25 °C
Weight	840 g

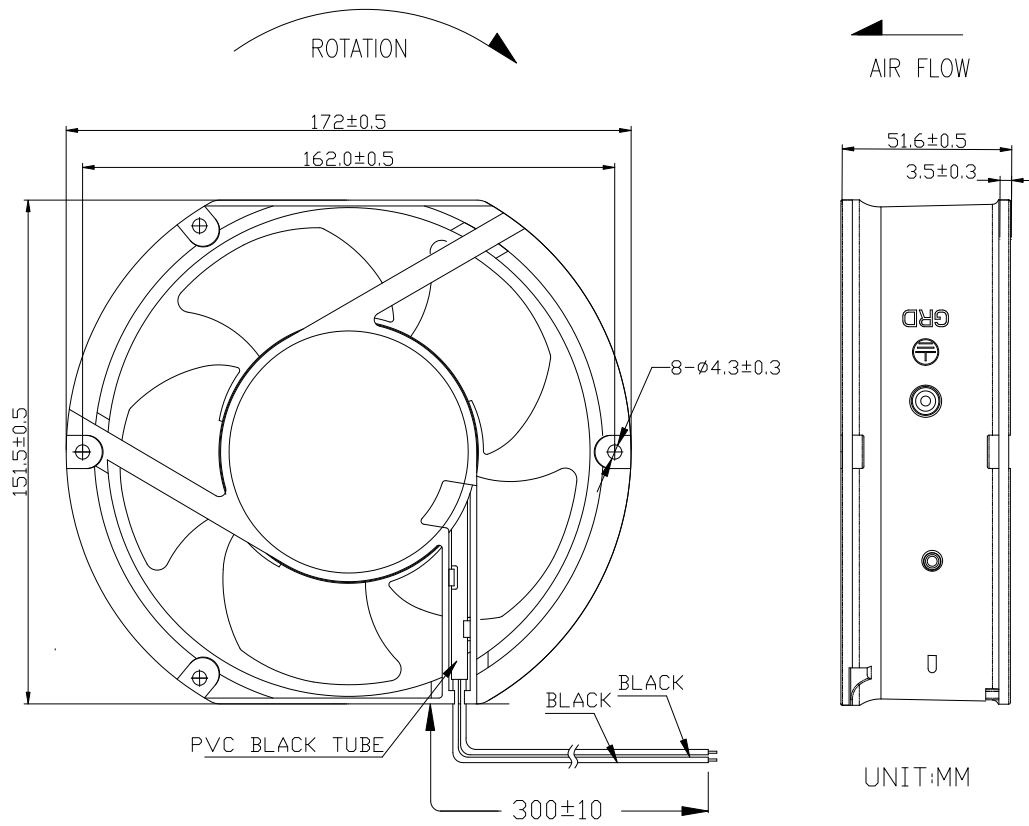
Characteristic

Motor Design	Shaded Pole Motor Construction
Insulation Resistance	100 ohms or more at 500 V Megger
Dielectric Strength	1 minute Frame at 1400 VAC/50-60 Hz
Rotation	Counter-Clockwise viewed from Inlet
Air Flow Direction	Air exhaust over struck
Motor Protection	Impedance Protected

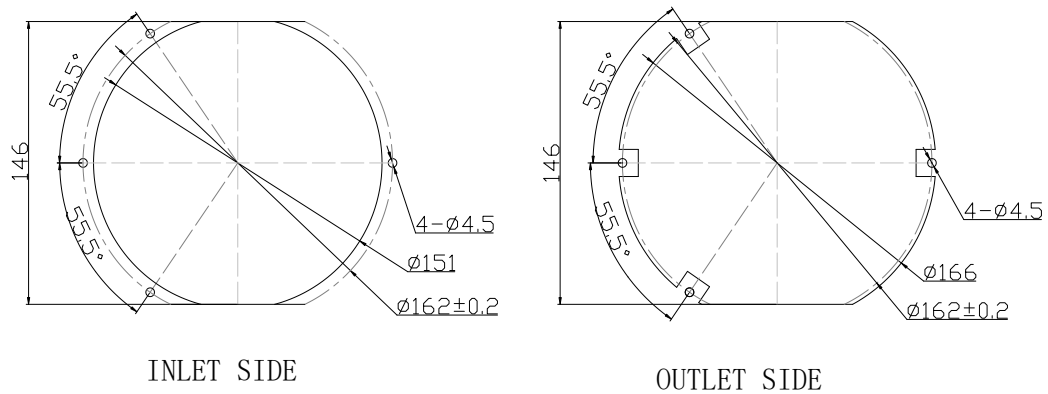
Mechanical

Frame	Aluminum Die-Casting
Fan Blade	Thermoplastic Black/ PBT+15 % GF of UL 94-VO
Bearing System	Precise Ball Bearings

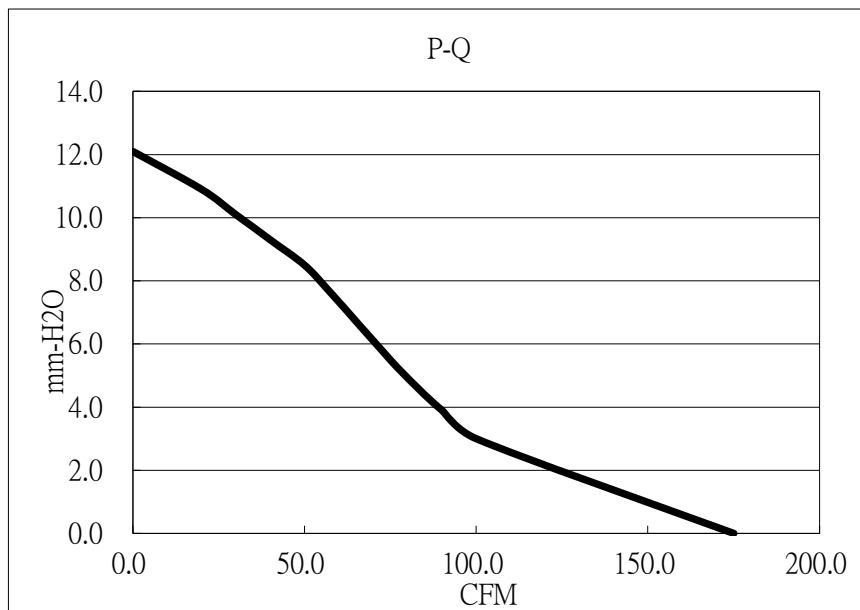
Drawing



Panel Out-cuts



P & Q Curve



Art. Nr.
RND 460-00168