

Piggyback terminal

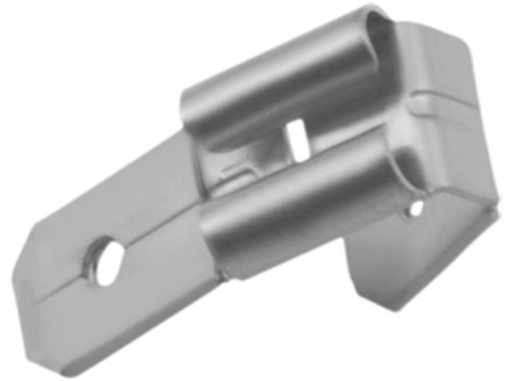
6.3 x 0.8 mm



3-way adapter (2 male tab)

SPECIFICATION:

Contact	6.3 x 0.8 mm
Material	Brass
Surface material	Tin-plated
Thickness	0.8 mm



Art. Nr.

RND 465-00014

