

Crimp Terminal, Socket

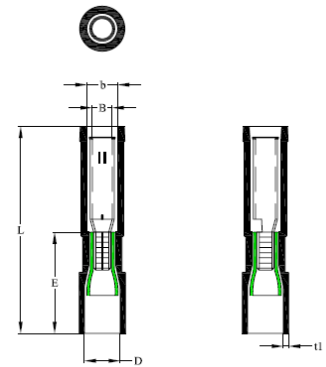


FEATURES:

Nylon fully-insulated
Double crimp

SPECIFICATION:

Material	Brass
Insulation material	Nylon
Surface material	Tin-plated
Temperature range	max. +105 °C



Article Nr.	AWG	Contact	Colour	D	L	B	t	b	E	t1
RND 465-00590	26-18 AWG	0.2 ... 0.5 mm ²	Transparent	3.6 mm	24.5 mm	2.05 mm	0.3 mm	3.3 mm	12 mm	0.75 mm