

# Crimp terminal, plug



## FEATURES:

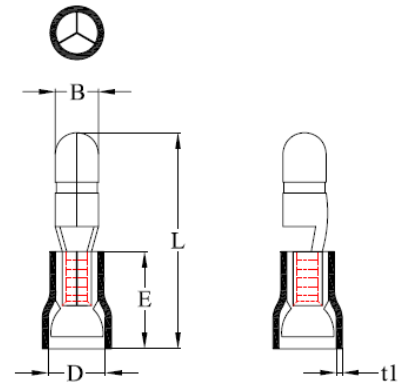
Vinyl fully-insulated

Double crimp

Funnel entry

## SPECIFICATION:

Material	Brass
Insulation material	Vinyl
Surface material	Tin-plated
Thickness	0.4 mm
Temperature range	max. +105 °C



Article Nr.	AWG	Contact	Colour	D	L	E	t1	B
RND 465-00598	22-16 AWG	0.5...1.5 mm <sup>2</sup>	Red	4.3 mm	22.5 mm	10.5 mm	0.8 mm	4 mm