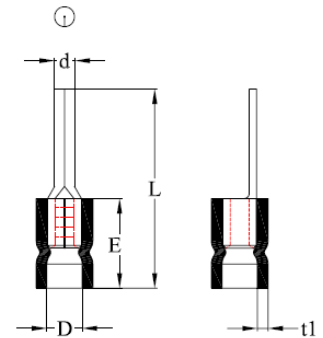


Vinyl insulated pin terminal



SPECIFICATION:

Material	Copper
Insulation material	Vinyl
Surface material	Tin-plated
Temperature range	max. +105 °C



Article Nr.	AWG	Contact	Colour	D	d	E	t1	L	Thickness
RND 465-00605	22-16 AWG	0.5...1.5 mm ²	Red	3.8 mm	2 mm	11.5 mm	0.8 mm	23.6 mm	0.75 mm
RND 465-00606	16-14 AWG	1.5...2.5 mm ²	Blue	4.3 mm	2 mm	11.5 mm	0.8 mm	23.5 mm	0.8 mm
RND 465-00607	12-10 AWG	4...6 mm ²	Yellow	5.8 mm	2.7 mm	15 mm	0.8 mm	28.5 mm	1 mm