

# Crimp Terminal, Plug

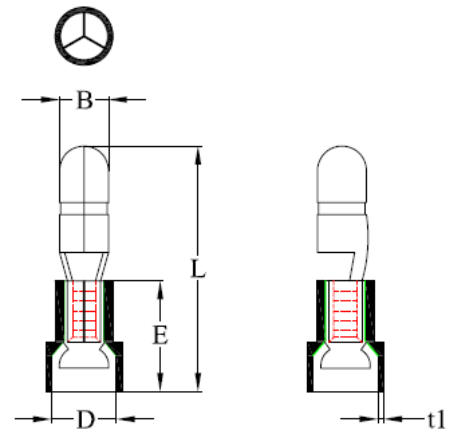


## FEATURES:

- Nylon-insulated
- Double crimp
- Funnel entry

## SPECIFICATION:

Material	Brass
Insulation material	Nylon
Surface material	Tin-plated
Temperature range	max. +105 °C



Article Nr.	AWG	Contact	Colour	D	L	B	E	t1	Thickness
RND 465-00592	22-16 AWG	0.5...1.5 mm <sup>2</sup>	Red	4.1 mm	22 mm	4 mm	10.5 mm	0.75 mm	0.4 mm
RND 465-00593	16-14 AWG	1.5...2.5 mm <sup>2</sup>	Blue	5 mm	22.5 mm	4 mm	11 mm	0.65 mm	0.4 mm
RND 465-00594	16-14 AWG	1.5...2.5 mm <sup>2</sup>	Blue	5 mm	22.5 mm	5 mm	11 mm	0.65 mm	0.4 mm
RND 465-00698	12-10 AWG	4...6 mm <sup>2</sup>	Yellow	6.6 mm	26 mm	4 mm	14 mm	0.85 mm	0.4 mm