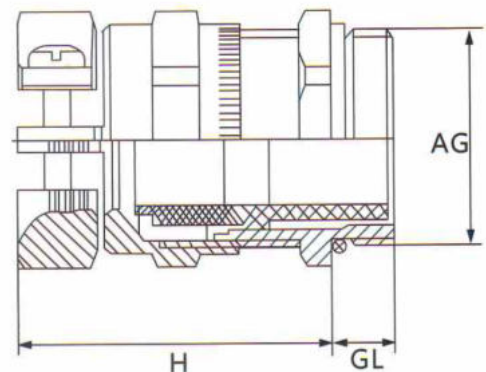


## SPECIFICATION:

Material	Brass with nickel plating
Protection rating	IP 68
Temperature range	-40...+100 °C



## PRODUCT RANGE:

Art. Nr.	Thread	Clamping range	Colour	GL	H	AG	Spanner size	Panel mounting hole
RND 465-00849	PG11	5...10 mm	Grey	6 mm	29 mm	18.6 mm	20 mm	18-18.3 mm
RND 465-00850	PG13.5	6...12 mm	Grey	6.5 mm	31 mm	20.4 mm	22 mm	20.4-20.7 mm
RND 465-00851	PG16	10...14 mm	Grey	6.5 mm	31 mm	22.5 mm	24 mm	22.5-22.8 mm
RND 465-00852	PG21	13...18 mm	Grey	7 mm	37 mm	28.3 mm	30 mm	28.3-28.6 mm
RND 465-00856	M16 x 1.5	4...8 mm	Black	6 mm	27 mm	16 mm	17 mm	16-16.3 mm
RND 465-00857	M18 x 1.5	5...10 mm	Black	6 mm	29 mm	18 mm	20 mm	18-18.3 mm
RND 465-00858	M20 x 1.5	6...12 mm	Black	6.5 mm	31 mm	20 mm	22 mm	20-20.3 mm
RND 465-00859	M22 x 1.5	10...14 mm	Black	6.5 mm	31 mm	22 mm	24 mm	22-22.3 mm
RND 465-00860	M25 x 1.5	13...18 mm	Black	7 mm	37 mm	25 mm	30 mm	25-25.3 mm
RND 465-00861	M32 x 1.5	18...25 mm	Black	8 mm	42 mm	32 mm	40 mm	32-32.3 mm
RND 465-00862	M40 x 1.5	22...32 mm	Black	8 mm	48 mm	40 mm	50 mm	40-40.3 mm