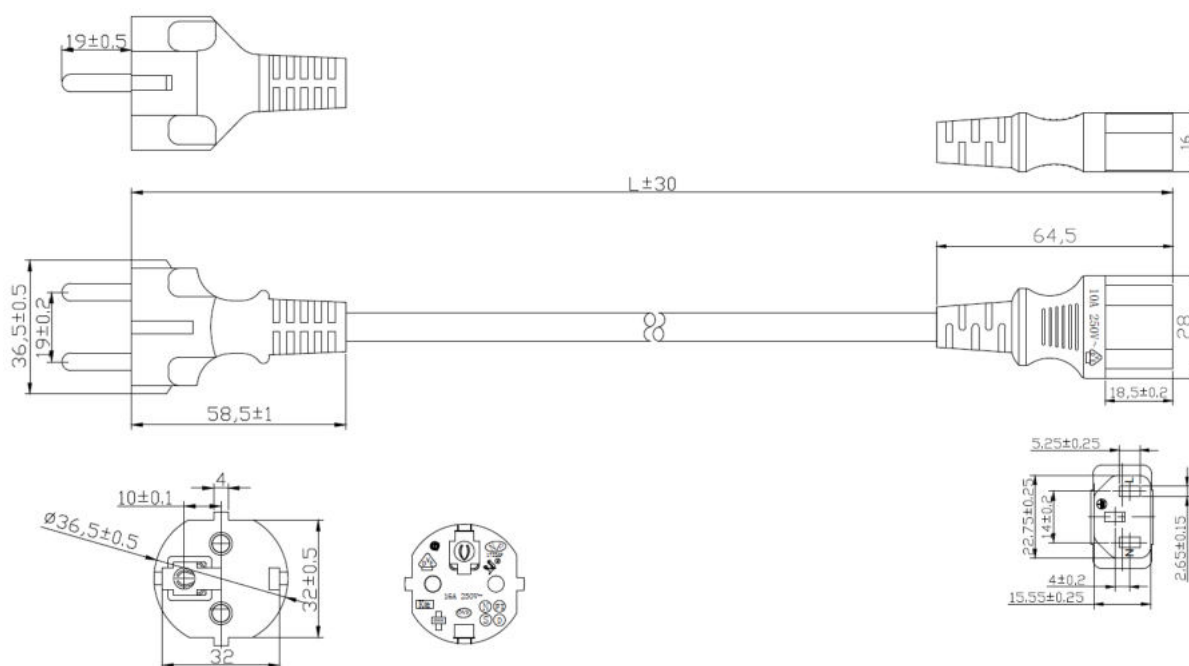


Mains Cable



Specification

Connector A	Type F (CEE 7/7)
Connector B	IEC 60320 C13
Connector Orientation	Straight
Cross-Section	1 mm ²
Current Rating	16 A
Jacket Colour	White
Jacket Material	PVC
Length (L)	5 m
Voltage Rating Max.	250 V

Notes:

- 1.Cable: H05VV-F 3G1.0²mm Jacket $\varnothing 7.0 \pm 0.1$ Conductor 32*0.198
- 2.Mark: <VDE> H05VV-F 3G1.0mm²
- 3.Test:Hi-pot: Inner Voltage AC2500V/1S , External Voltage AC4500V/1S
current leakage 1mA, insulation resistance no less than 50M Ω , no strike out;

Art. Nr.
RND 465-00923

Product Range

Product name	Model specification	Remarks
RND 465-00920	H05VV-F 3G 0.75mm ² 1.8M	Black
RND 465-00921	H05VV-F 3G 1.0mm ² 2.5M	Black
RND 465-00922	H05VV-F 3G 1.0mm ² 5.0M	Black
RND 465-00923	H05VV-F 3G 1.0mm ² 5.0M	White