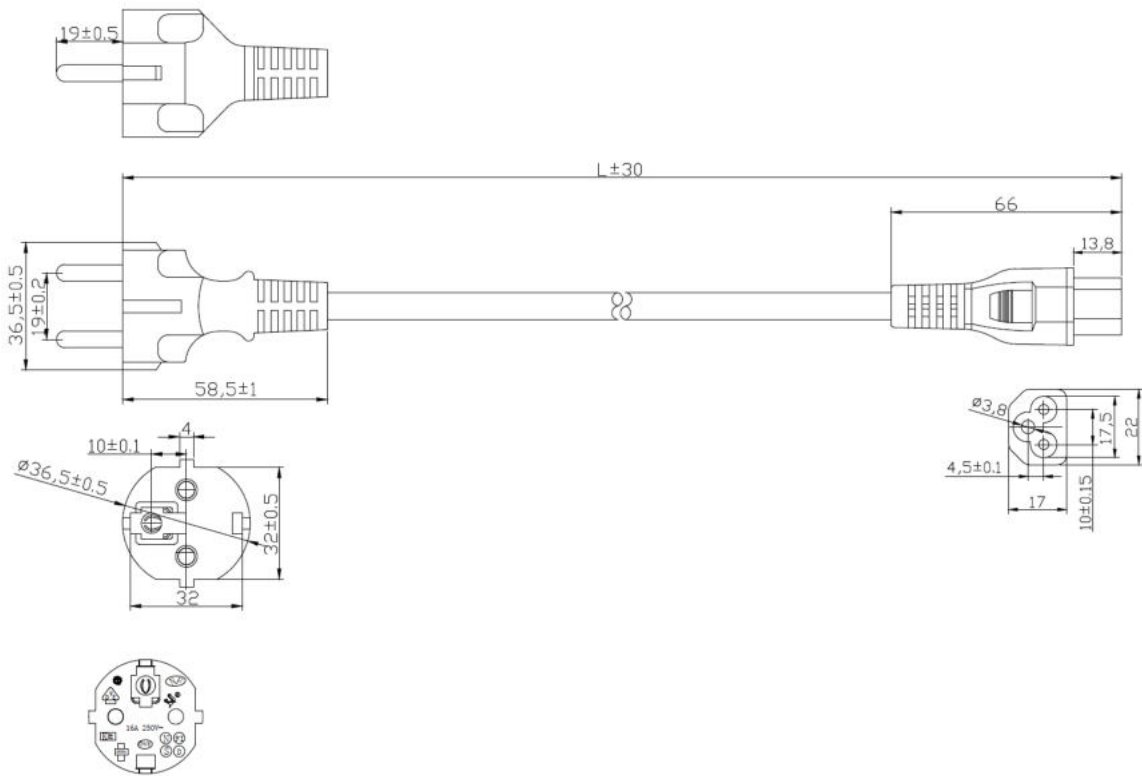


Mains Cable



Specification

Connector A	Type F (CEE 7/7)
Connector B	IEC 60320 C5
Connector Orientation	Straight
Cross-Section	0.75 mm ²
Current Rating	16 A
Jacket Colour	Black
Jacket Material	PVC
Length (L)	500 mm
Voltage Rating Max.	250 V

Notes:

- 1.Cable:H05VV-F 3G0.75²mm Jacket $\varnothing 6.5 \pm 0.1$ Conductor 24*0.198
- 2.Mark: \triangleleft VDE \triangleright H05VV-F 3G0.75mm²
- 3.Test:Hi-pot: Inner Voltage AC2500V/1S , External Voltage AC4500V/1S
current leakage 1mA, insulation resistance no less than 50M Ω , no strike out;

Art. Nr.
RND 465-00947

Product Range

Product name	Model specification	Remarks
RND 465-00947	H05VV-F 3G 0.75mm ² 0.5M	Black
RND 465-00948	H05VV-F 3G 0.75mm ² 1.5M	Black
RND 465-00949	H05VV-F 3G 0.75mm ² 3.0M	Black
RND 465-00950	H05VV-F 3G 0.75mm ² 5.0M	Black