

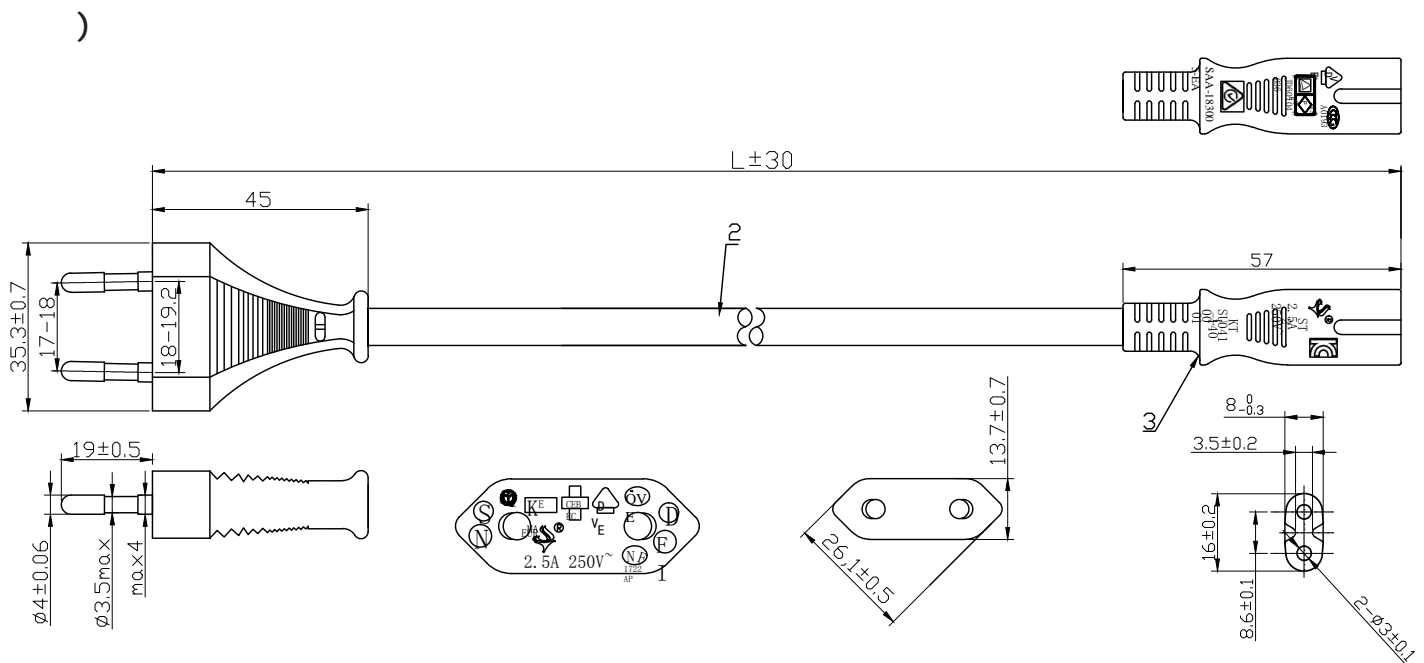
Features

- For connecting an appliance to a mains power supply
- The power lead features an integrated strain relief that provides additional protection and support to the connection to prevent damage due to excessive bending
- Applications include cassette recorders, battery/mains operated radios, video game consoles etc.



Specification

Connector A	Euro Male
Connector B	IEC 60320 C7
Connector Orientation	Straight
Cross-Section	0.75 mm ²
Current Rating	2.5 A
Jacket Colour	Black
Jacket Material	PVC
Length (L)	300 mm
Voltage Rating Max.	250 V



Notes:

1. Cable: H03VV2-F 2*0.75²mm Jacket 3.5±0.1*5.7±0.1 Conductor 24*0.198
2. Mark: $\triangleleft VDE \triangleright$ H03VVH2-F 2*0.75mm²
3. Test: Hi-pot: Inner Voltage AC2500V/1S, External Voltage AC4500V/1S current leakage 1mA, insulation resistance no less than 50M Ω , no strike out;

Art. Nr.

FB8 (*) !\$\$- **