

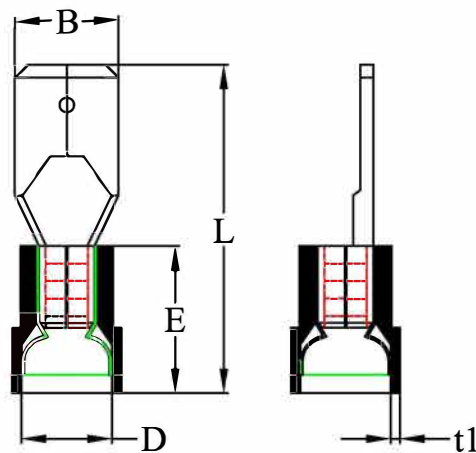
# Partially Insulated Male Disconnecter



## Specification

Terminal Material	Brass
Terminal Metallic Thickness	0.25 mm
Insulation Material	Polyamide
Reinforced Sleeve Material	Copper
Max Temperature	105 °C
Max Voltage	300 V
Max Current	10 A
Wire Range	22-16 AWG

## Drawing



B	4.80 mm
L	22 mm
D	4.10 mm
E	10.50 mm
t1	0.80 mm

Art. Nr.  
RND 465-01357