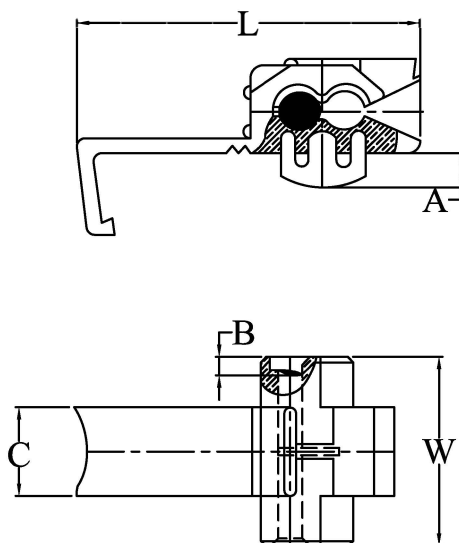


Specification

Terminal Material	Brass
Insulation Material	Polypropylene
Max Temperature	105 °C
Max Voltage	300 V
Max Current	10 A
Wire Range	22-16 AWG

Drawing



A	4 mm
B	2.50 mm
C	10.60 mm
W	19.70 mm
L	31.50 mm

Art. Nr.
RND 465-01382