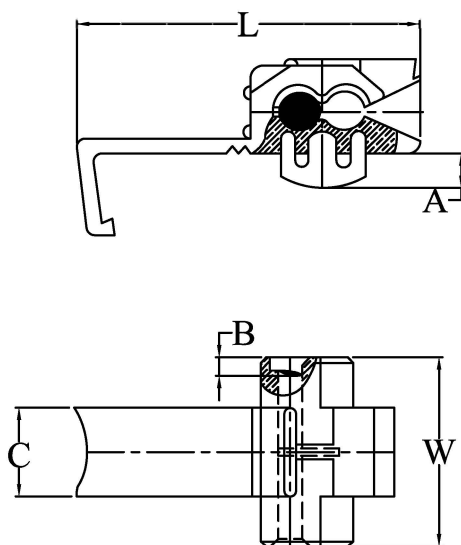




## Specification

Terminal Material	Brass
Insulation Material	Polypropylene
Max Temperature	105 °C
Max Voltage	300 V
Max Current	24 A
Wire Range	12-10 AWG

## Drawing



A	5.70 mm
B	3 mm
C	20 mm
W	20 mm
L	31.80 mm

Art. Nr.  
RND 465-01384