

# 300 Watt PremiumTriac Dimmable Driver



## Features:

- Constant voltage/ PWM Output
- Leading & Trailing edge dimmable
- AC input: 200-240VAC
- Built-in active PFC function
- Efficiency up to 89%
- Protections: Short circuit/ Over loading/ Over current/ Over temperature
- Full protection aluminium housing
- Cooling by free air convection
- Suitable for LED lighting and moving signs



## Models

RND 500-00039

RND 500-00040

### Output Specifications

Output Voltage	12V	24V
Voltage Tolerance	±0.5V	
Output Current	25A	12.5A
Rated Power	300W	

### Input Specifications

Input Voltage	200-240VAC	
Frequency Range	47-63Hz	
Inrush Current	60A (Twidth=130µs 230VAC)	
Full Load Efficiency (Typ.)	88%	89%
AC Current (Max.)	2.0A	
Leakage Current	<0.50mA	
Power Factor	PF>0.97/200VAC PF>0.97/230VAC PF>0.97/240VAC (Full Loading)	

### Protection

Short Circuit	Shut down o/p voltage, re-power on to recover after fault condition is removed
Over Loading	≤120%, shut down o/p voltage, re-power on to recover
Over Temperature	100°C± 10°C shut down o/p voltage, re-power on to recover

### Environment

Working Temperature	-40~+60°C (Refer to derating curve)
Working Humidity	20-95% RH, non-condensing
Storage Temperature, Humidity	-40~+80°C, 10-95% RH
Temperature Coefficient	±0.03%/°C (0-40°C)

Art. Nr.302-94-949 & 302-94-950

RND 500-00039 & RND 500-00040

# 300 Watt PremiumTriac Dimmable Driver



## Environment

Vibration 10-500Hz, 5G 12min./ 1 cycle, period for 72min.each along X, Y, Z axes

## Safety & EMC

Safety standards EN61347-1, EN61347-2-13

Withstand Voltage I/P-O/P:3.75KVAC I/P-FG:1.88KVAC O/P-FG:0.5KVAC

Isolation Resistance I/P-O/P I/P-FG O/P-FG: 100M $\Omega$ /500VDC/25°C/70%RH

EMC Emission Compliance to EN55015, EN61000-3-2, 3 (>60%load)

EMC Immunity EN61000-4-2,3,4,5,6,11, EN61547

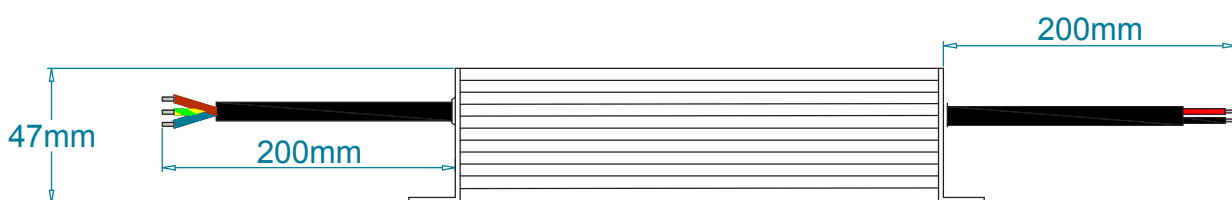
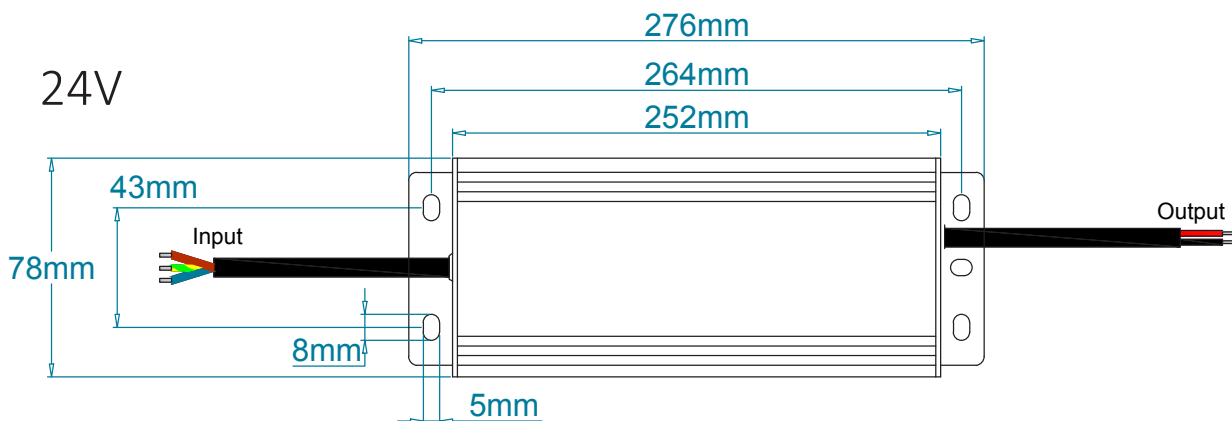
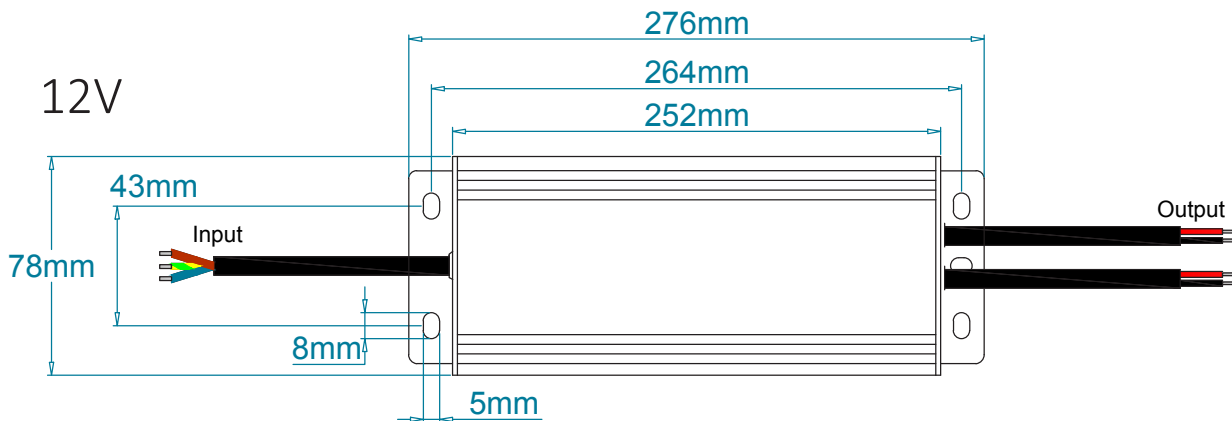
## Other Specifications

Weight 1.67 kg

Size 276 x 78 x 47 mm

Packing 336 x 121 x 61 mm (inner box), 350 x 310 x 260 mm (10PCS/CTN)

## Mechanical Specifications



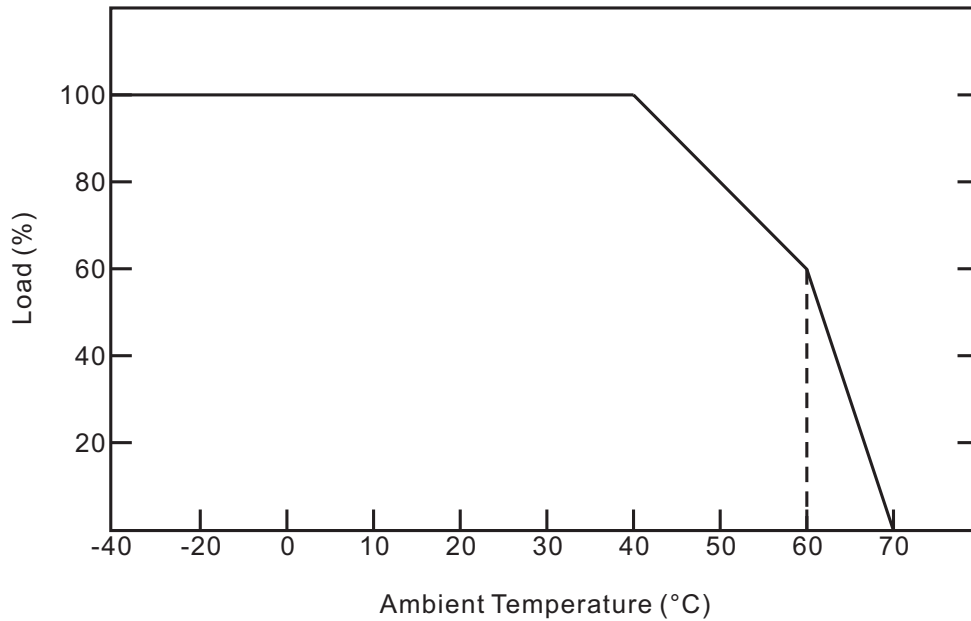
Art. Nr.302-94-949 & 302-94-950

RND 500-00039 & RND 500-00040

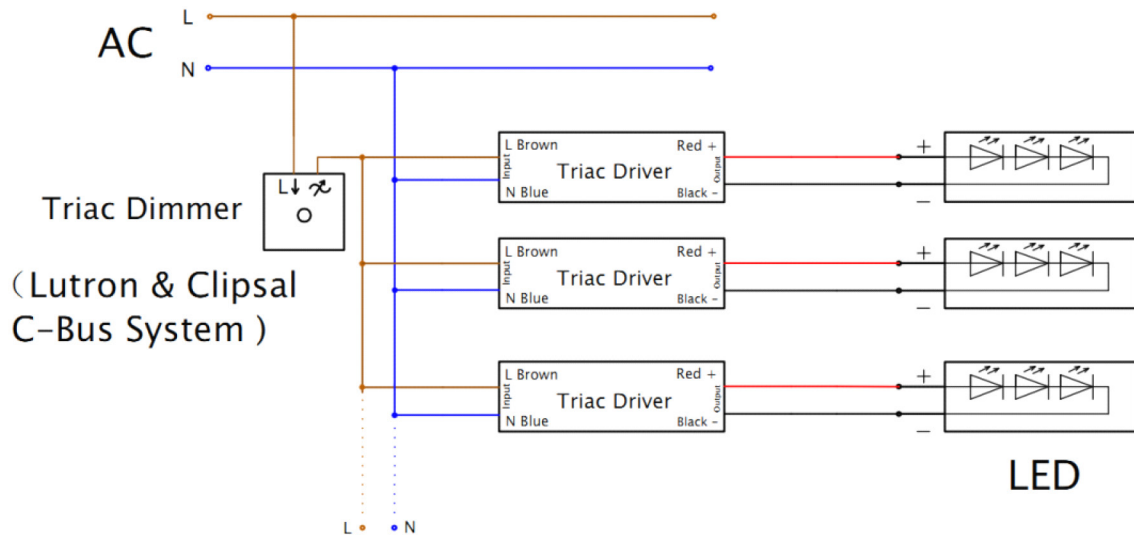
# 300 Watt PremiumTriac Dimmable Driver



## Derating Curve



## Connecting Diagram



# 300 Watt Premium Triac Dimmable Driver



## Connecting Diagram

