

# 25Watt DALI & Push Dimmable LED Driver



## Features:

- Constant voltage/ PWM Output
- DALI & Push dimming function
- AC input: 100-265VAC
- Built-in active PFC function
- Efficiency up to 82%
- Protections: Short circuit/ Over load/ Over temperature
- Cooling by free air convection
- IP20 design for indoor installation.
- Suitable for intelligent LED lighting



## Models

RND 500-00043

RND 500-00044

## Output Specifications

Output Voltage	12V	24V
Voltage Tolerance	± 0.5%	
Output Current	2.08A	1.04A
Rated Power	25W	
Load Regulation	± 2%	

## Input Specifications

Input Voltage	100-265VAC	
Frequency Range	47-63Hz	
Inrush Current	16A (Twidth=32μs 230VAC)	
Full Load Efficiency (Typ.)	77%	82%
AC Current (Max.)	0.32A	0.3A
Leakage Current	<0.50mA	
Power Factor	PF>0.9/230VAC (Full Loading)	

## Protection

Short Circuit	Constant current mode, recovers automatically after fault condition is removed
Over Loading	≤120% constant current limiting, recovers automatically after fault condition is removed
Over Temperature	100°C± 10°C
Protection Class	II

## Environment

Working Temperature	-40~+60°C (Refer to derating curve)
Working Humidity	20-95% RH, non-condensing

Art. Nr.302-94-953 & 302-94-954

RND 500-00043 & RND 500-00044

# 25Watt DALI & Push Dimmable LED Driver



## Environment

Storage Temperature, Humidity	-40~+80°C, 10-95% RH
Temperature Coefficient	±0.03%/°C (0-50°C)
Vibration	10-500Hz, 5G 10min./ 1 cycle, period for 60min.each along X, Y, Z axes

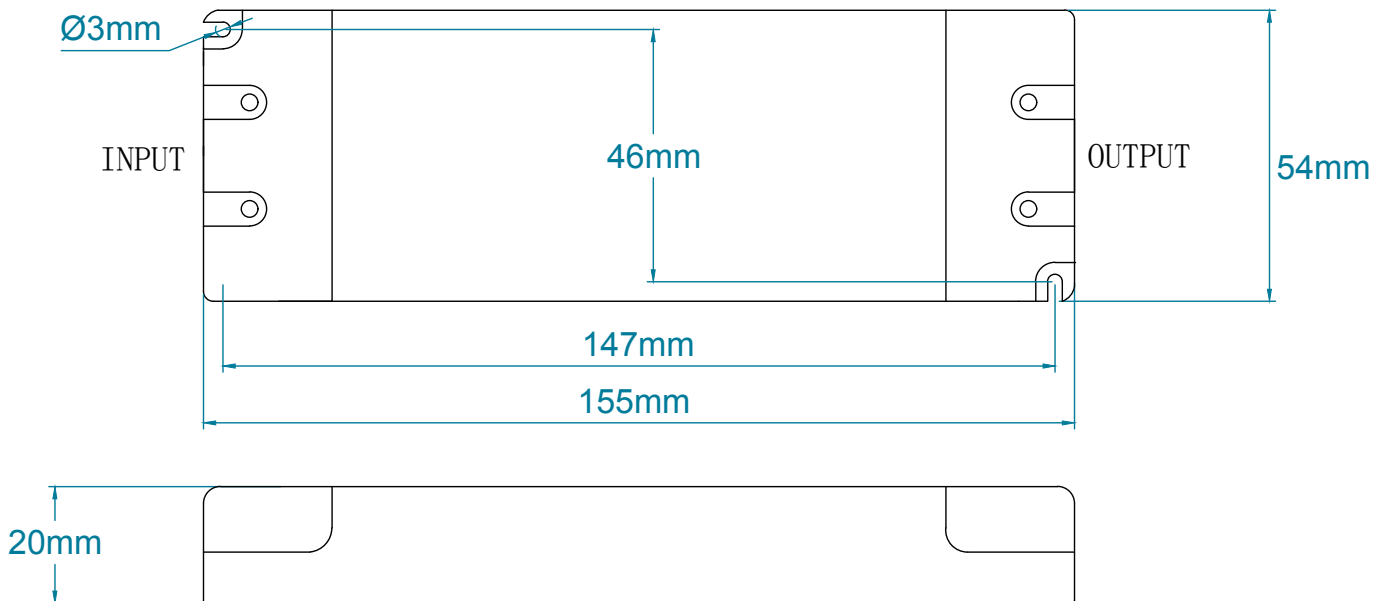
## Safety & EMC

Safety standards	EN61347-1, EN61347-2-13, EN62493, IP20
Withstand voltage	I/P-O/P:3.75KVAC
Isolation resistance	I/P-O/P:100MΩ/500VDC/25°C/70%RH
EMC Emission	Compliance to EN55015, EN61000-3-2, EN61000-3-3 (≥60% load)
EMC Immunity	Compliance to EN61000-4-2,3,4,5,6,11, EN61547

## Other Specifications

Weight	0.21 Kg
Size	155 x 54 x 20 mm
Packing	350 x 240 x 130 mm (40PCS/CTN, 9 Kg/CTN))

## Mechanical Specifications



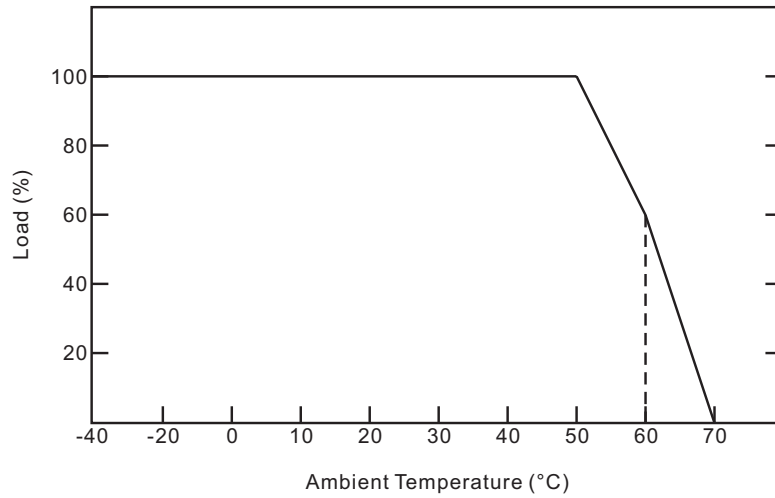
Art. Nr.302-94-953 & 302-94-954

RND 500-00043 & RND 500-00044

# 25Watt DALI & Push Dimmable LED Driver

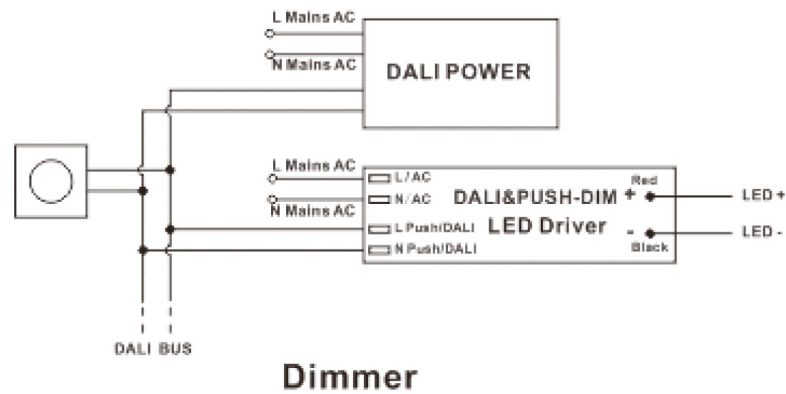


## Derating Curve

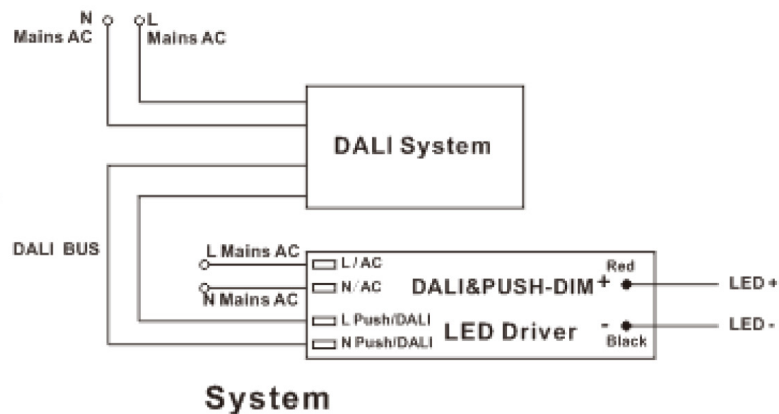


## Dimming Operation

### DALI Dimming Wiring Diagram 1



### DALI Dimming Wiring Diagram 2

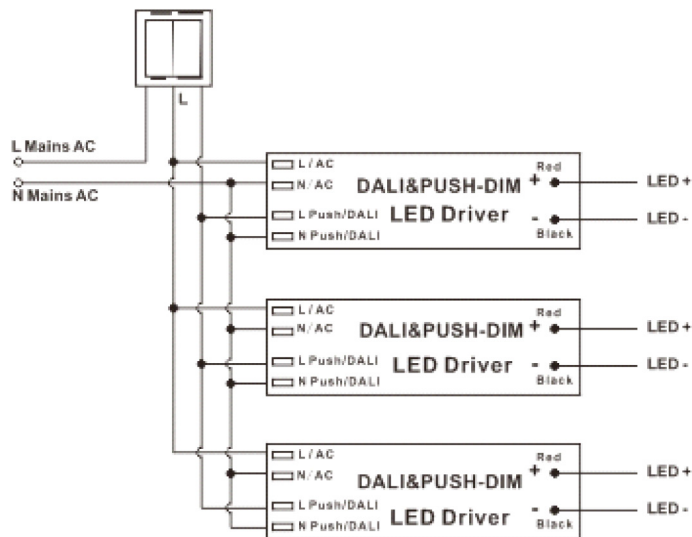


# 25Watt DALI & Push Dimmable LED Driver



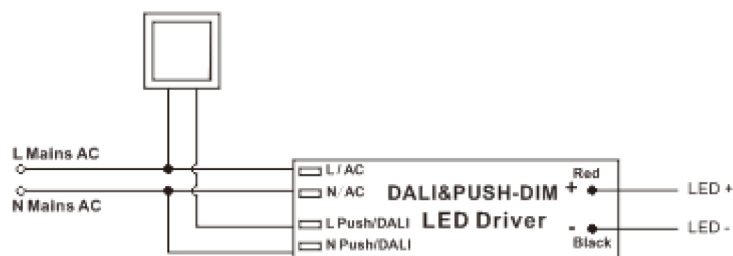
## Dimming Operation

Push-Dimming Wiring Diagram1



Dimmer (with ON/OFF function)

Push-Dimming Wiring Diagram2



Dimmer