

150Watt DALI & Push Dimmable LED Driver



Features:

- Single channel constant voltage
- Meet DALI Protocol IEC62386
- Wide range of input voltage 100VAC-240VAC
- Support Touch-DIM function
- Efficiency up to 92%
- Built-in active PFC function
- Protections: Short circuit/ Over current
- Cooling by free air convection
- IP20 design
- Suitable for intelligent LED lighting



IP20

Models

RND 500-00051

Output Specifications

Output Voltage	24V
Current Accuracy	± 3%
Output Current	6.25A
Rated Power	150W

Input Specifications

Input Voltage	100-240VAC
Frequency Range	47-63Hz
Inrush Current	40A (Cold start at 230VAC)
Full Load Efficiency (Typ.)	92%
AC Current (Max.)	2A
Leakage Current	<0.50mA
Power Factor	PF>0.95/115VAC (Full Loading)

Protection

Short Circuit	Constant current limiting, recovers automatically after fault condition is removed
Over Current	Constant current limiting, recovers automatically after fault condition is removed

Environment

Working Temperature	-20~+50°C
---------------------	-----------

Other Specifications

Weight	0.67 Kg
Size	196 x 75 x 40 mm
Packing	303 x 221 x 265 mm (18PCS/CTN, 13Kg/CTN))

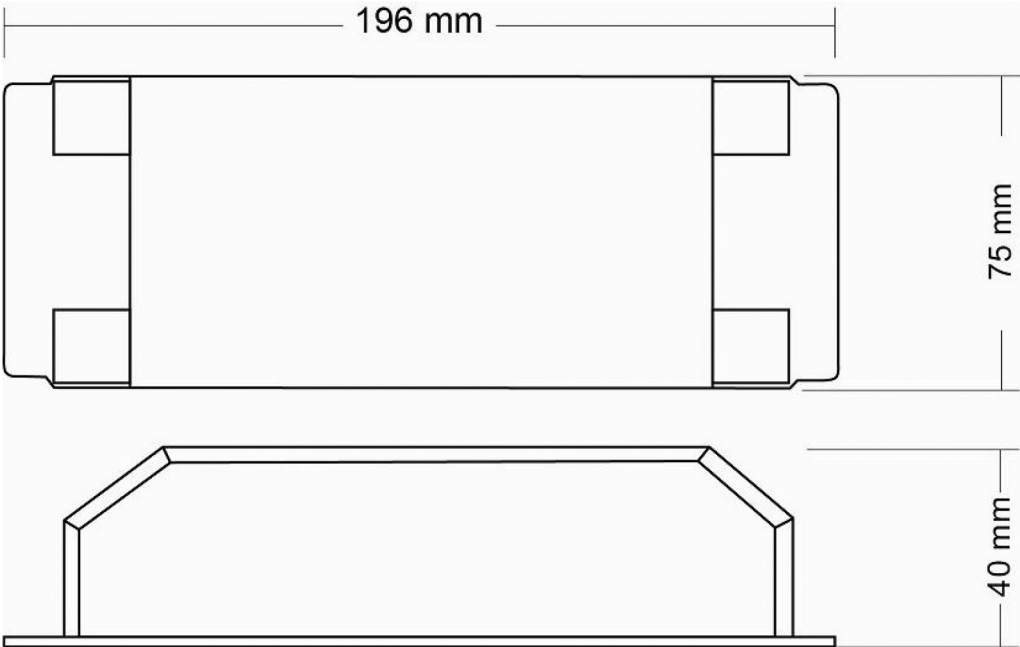
Art. Nr.302-94-961

RND 500-00051

150Watt DALI & Push Dimmable LED Driver

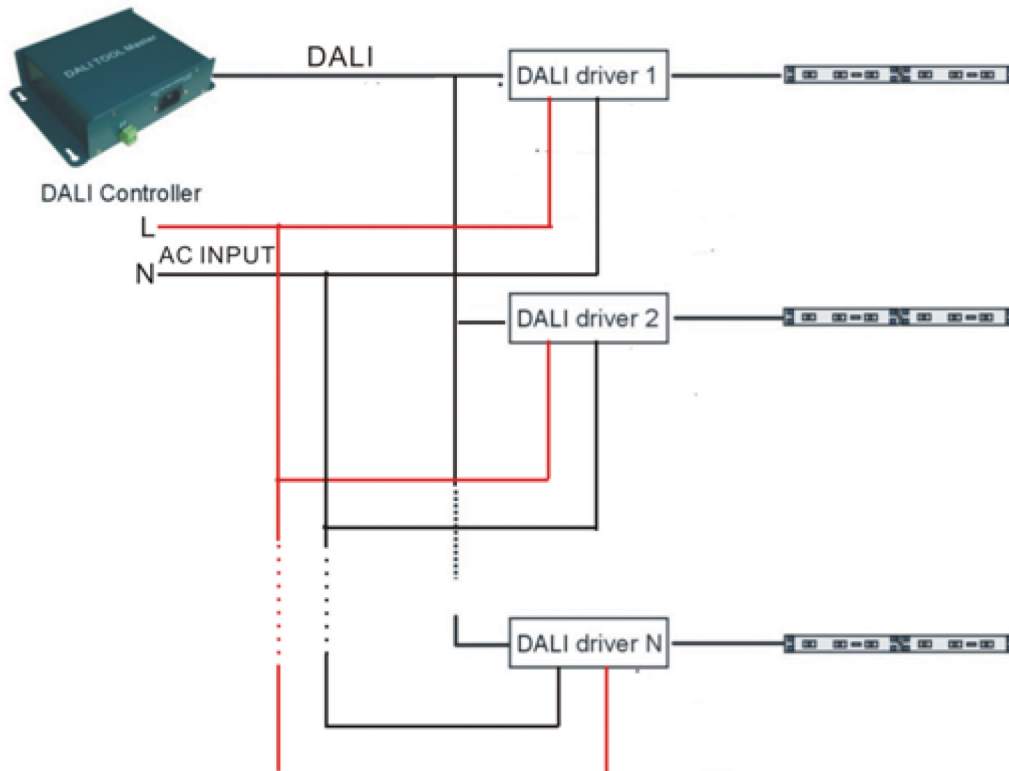


Mechanical Specifications

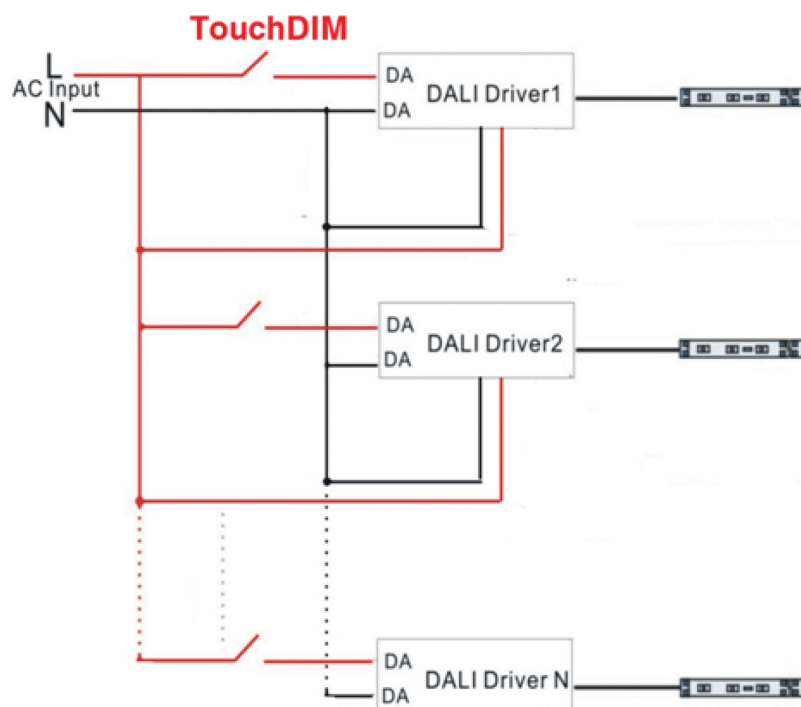


150Watt DALI & Push Dimmable LED Driver

DALI Diagram



Touch Dim Diagram



150Watt DALI & Push Dimmable LED Driver



Touch Dim Function

1. Short press the Touch DIM switch (<0.5s) to control the lamp on or off.
2. Long press the Touch DIM switch (>0.5s) to dim the brightness of light; the dimming direction will change every time after pressing switch.
3. Double-click the Touch DIM switch (<0.3s), then all lamps connected on the device will be set maximum brightness.
4. When the light being turned off, long press the Touch DIM switch can turn on the light and adjust the brightness according to the dimming direction.
5. The brightness adjustment range is 1%-100%, and the light can be turned off through short pressing when do the adjustment with long pressing Touch DIM switch
6. With the Power off memory function, the power-down state will be recovered when power on again.

Cautions

1. This unit must be installed by a qualified electrician.
2. DALI and Touch DIM functions cannot be used simultaneously, which can be controlled respectively by using DALI controllers or the equipments with Touch DIM function.
3. Please read the wiring diagram before installation.
4. Use suitable mounting tools to do the wiring and mounting.
5. Please check the connecting method is correct or not before connecting the power.